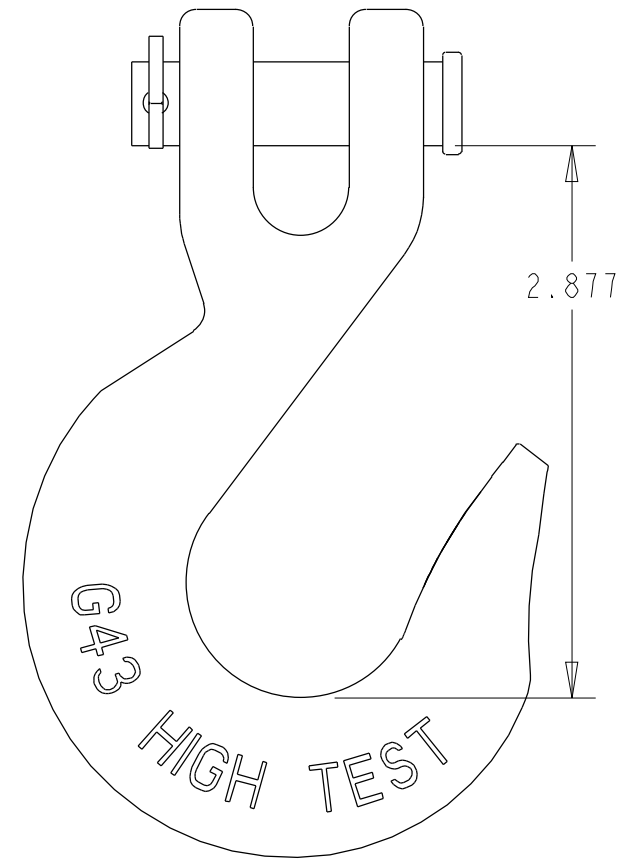
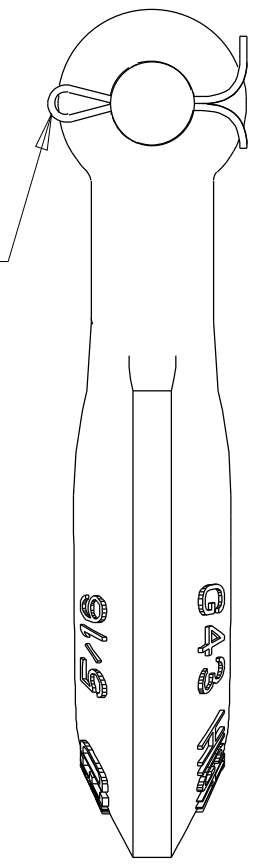


Ø 3/16" COTTER PIN  
(ASSEMBLED IN PIN)



DO NOT SCALE

SAFE WORKING LOAD: 3900 POUNDS

DO NOT USE FOR OVERLEAD LIFTING OF A LOAD, SUPPORT OF HUMAN WEIGHT, ATHLETIC OR PLAYGROUND EQUIPMENT.

DIMENSIONS SHOWN ARE NOMINAL AND SUBJECT TO CHANGE. FOR CRITICAL SPECIFICATIONS CONTACT STANLEY NATIONAL CUSTOMER SUPPORT. COPYRIGHT STANLEY NATIONAL HARDWARE, 2008

3242 CLEVIS SLIP HOOK, 5/16"