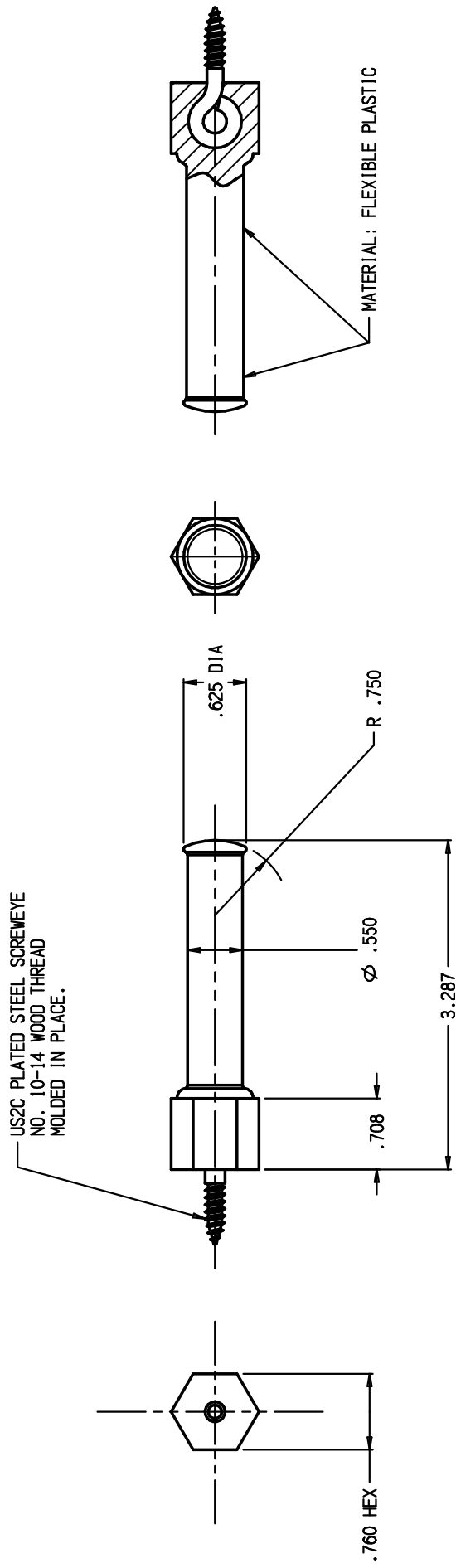


N7086 / N235



DIM. IN. (MM) SHOWN ARE NOMINAL
AND SUBJECT TO CHANGE. FOR CRITICAL SPECIFICATIONS
CONTACT STANLEY/NATIONAL CUSTOMER SUPPORT.
COPYRIGHT STANLEY NATIONAL HARDWARE 2009

ALL DIMENSIONS FOR REF. ONLY

S7086 / N235 SOFT WALL DOOR STOP