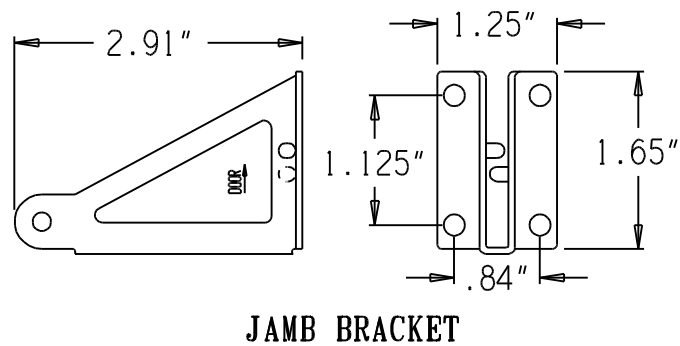
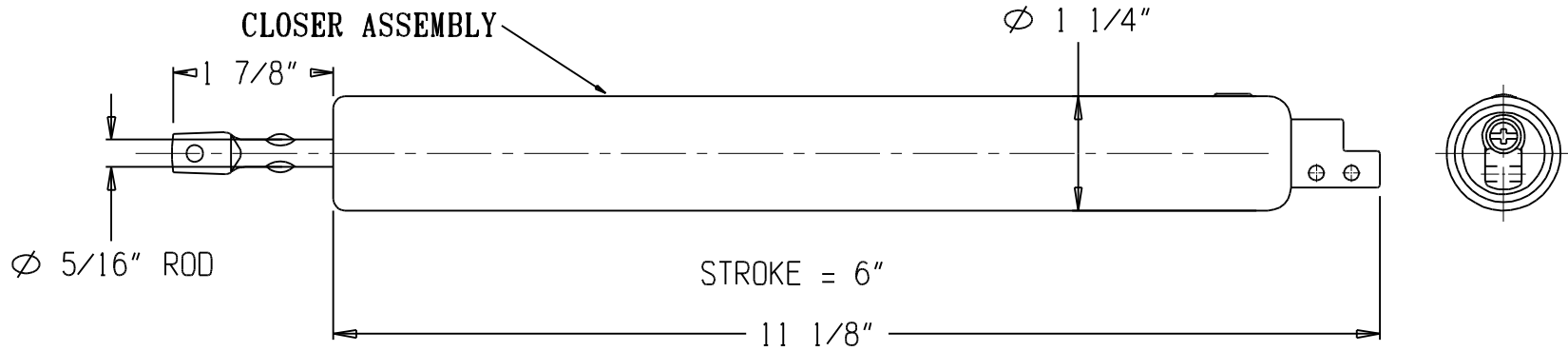
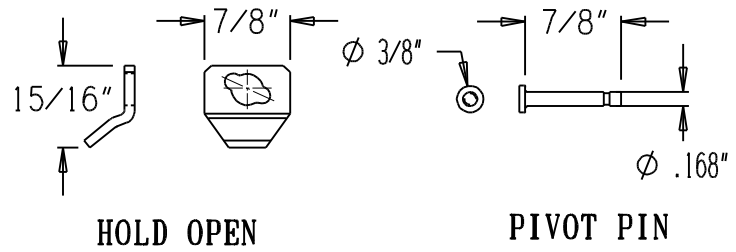
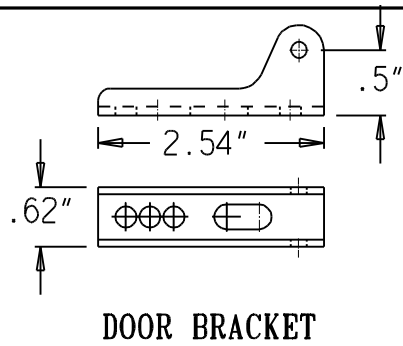


BILL OF MATERIAL	
ITEM DESCRIPTION	QTY
CLOSER ASSEMBLY	1
PIVOT PIN	2
JAMB BRACKET	1
HOLD OPEN	1
DOOR BRACKET	1
SCREW, #12X1½" PAN HD	1
SCREW, #12X½" PAN HD	4
SCREW, #10-32X3/8" PAN HD	2



SPECIFICATIONS SUBJECT TO CHANGE WITHOUT NOTICE.

S1708/N1337 CLOSER