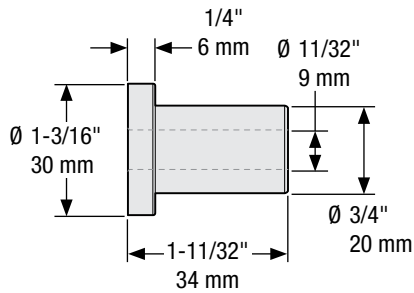
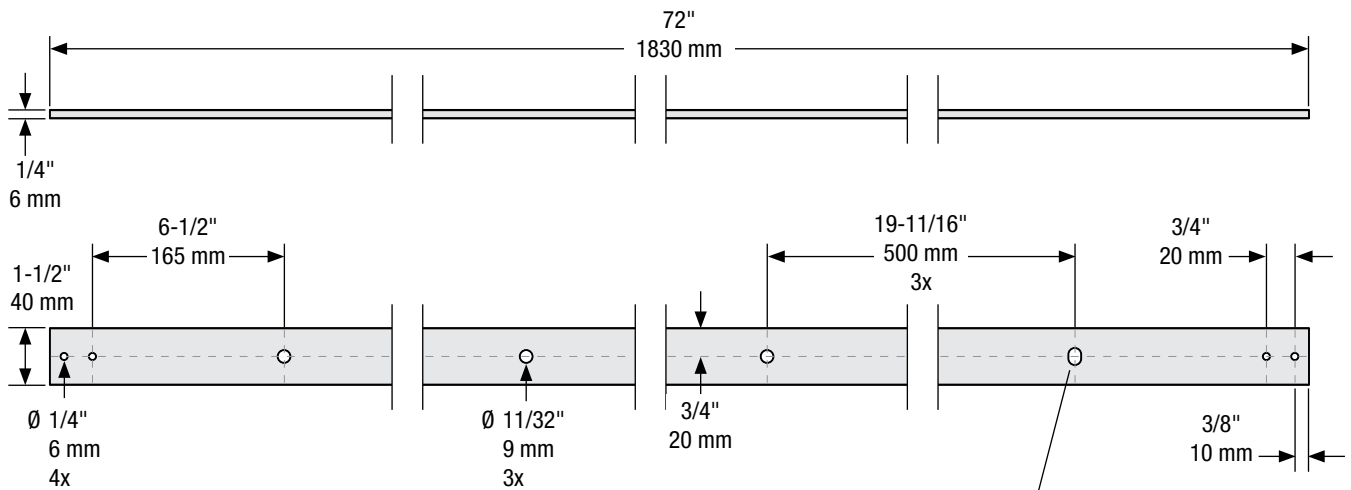
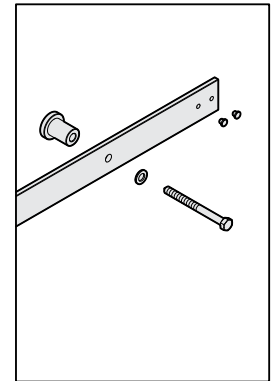
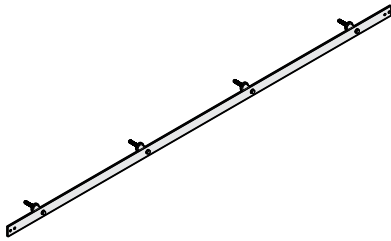
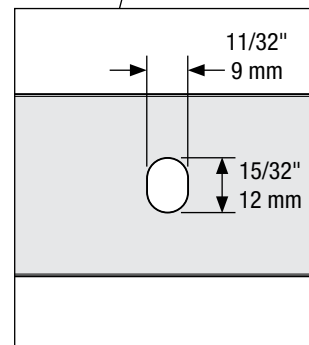


Material: Steel  
Finish: Oil Rubbed Bronze

Revision	<b>1</b>	DO NOT SCALE	<b>924</b>	<b>N186-964</b>
Date	<b>November 2015</b>	Dimensions are nominal and subject to change.	Family No.	SKU
		©2015 Spectrum Brands, Inc.	<b>Decorative Interior Sliding Door Hardware Horseshoe</b>	
			Description	



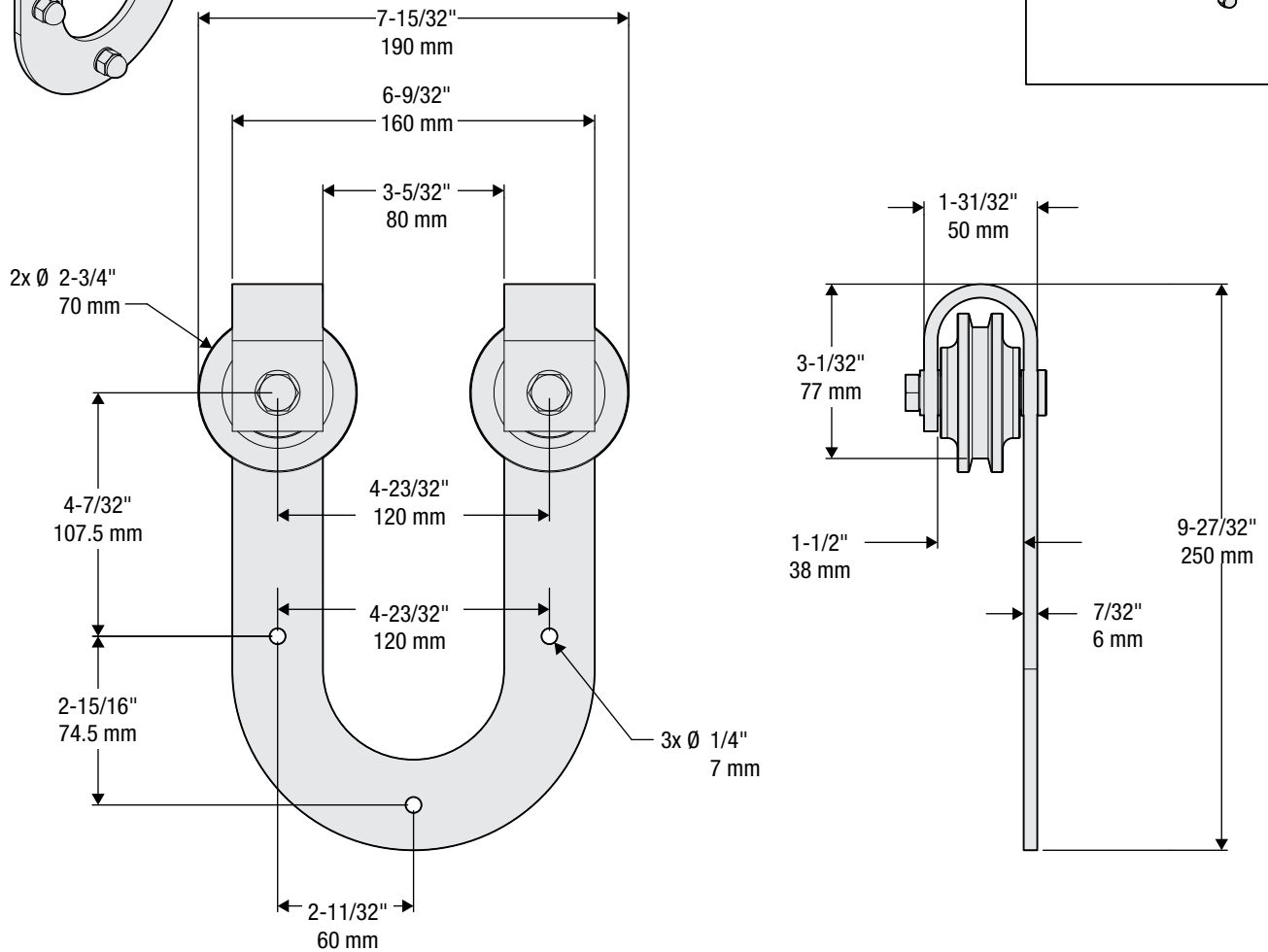
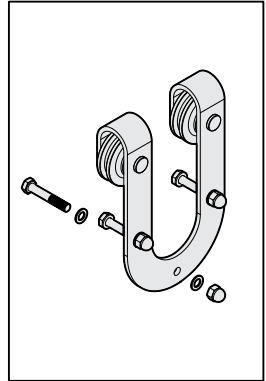
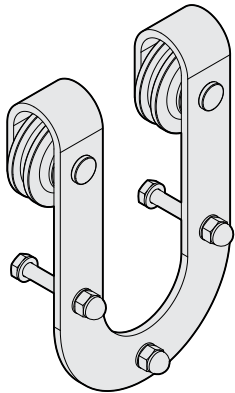
**Spacer**



- Fasteners: (4) Hex Screw,  
 M8 x 3-1/2" Long  
 (4) Hole Cap  
 (4) Washer, M8  
 (4) Spacer

**Track**

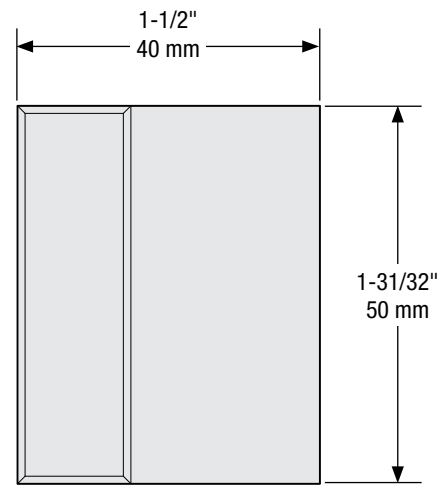
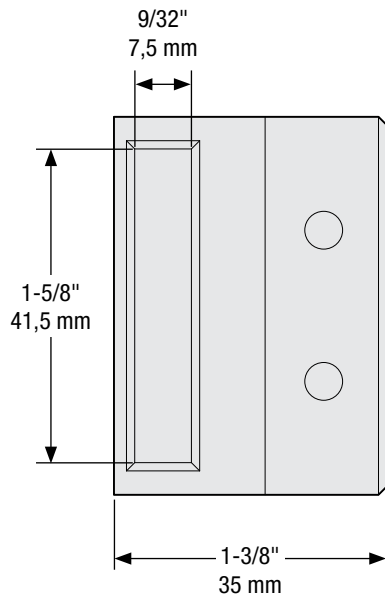
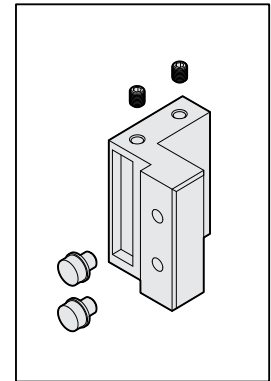
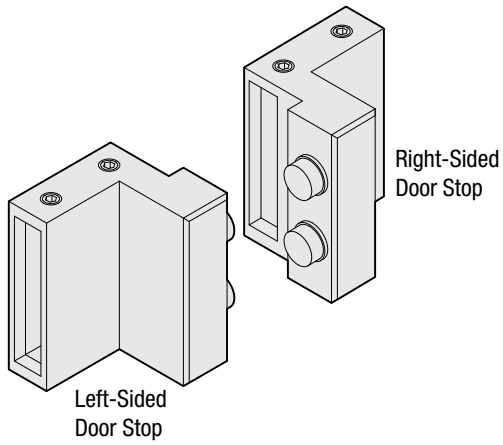
Revision	<b>1</b>	DO NOT SCALE	Family No.	<b>924</b>	SKU	<b>N186-964</b>
Date	<b>November 2015</b>	Dimensions are nominal and subject to change.	<b>Decorative Interior Sliding Door Hardware Horseshoe</b>			
		©2015 Spectrum Brands, Inc.	Description			



## Hanger

Fasteners: (3) Hex Screw,  
M10 x 2-5/32" Long  
(6) Washer, M10  
(3) Nut, M10

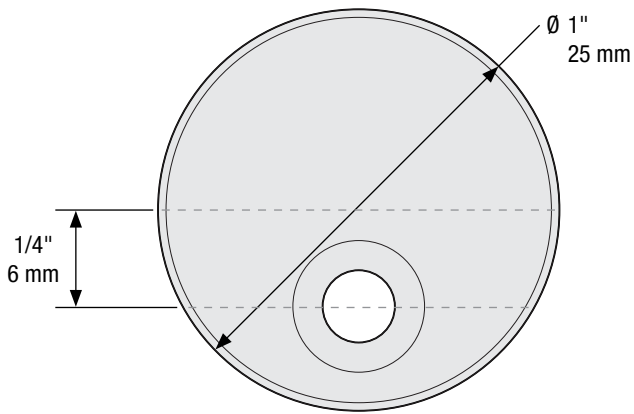
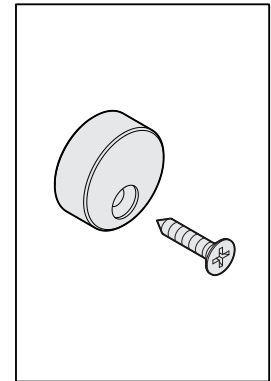
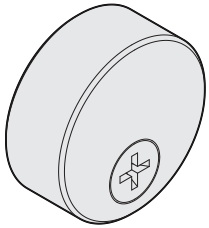
<b>1</b>	DO NOT SCALE	<b>924</b>	<b>N186-964</b>
Revision	Dimensions are nominal and subject to change.	Family No.	SKU
<b>November 2015</b>	©2015 Spectrum Brands, Inc.	<b>Decorative Interior Sliding Door Hardware Horseshoe</b>	
Date		Description	



## Door Stops

Fasteners (per door stop):  
(2) Set Screw, M5 x 1/4" Long

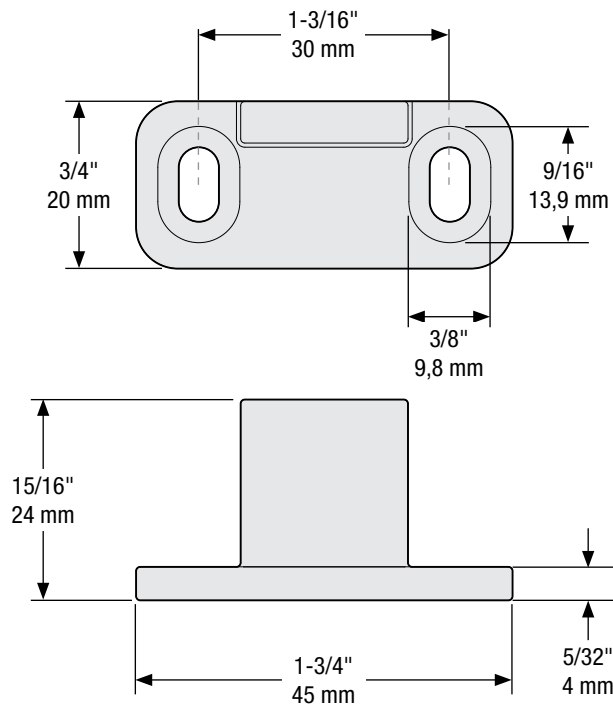
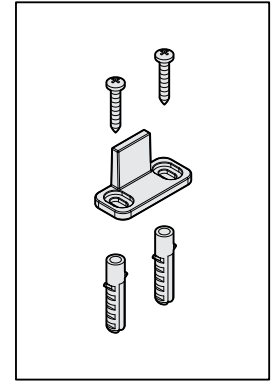
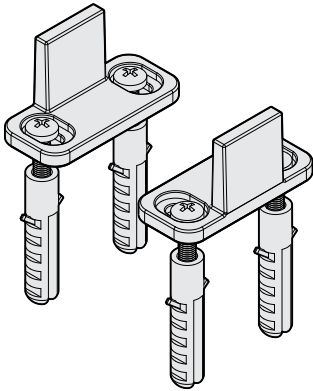
<b>1</b>	DO NOT SCALE	<b>924</b>	<b>N186-964</b>
Revision	Dimensions are nominal and subject to change.	Family No.	SKU
<b>November 2015</b>	©2015 Spectrum Brands, Inc.	<b>Decorative Interior Sliding Door Hardware Horseshoe</b>	
Date		Description	



**Anti-Jump Disc**

Fasteners: (1) Screw,  
M4 x 3/4" Long, Self Tapping

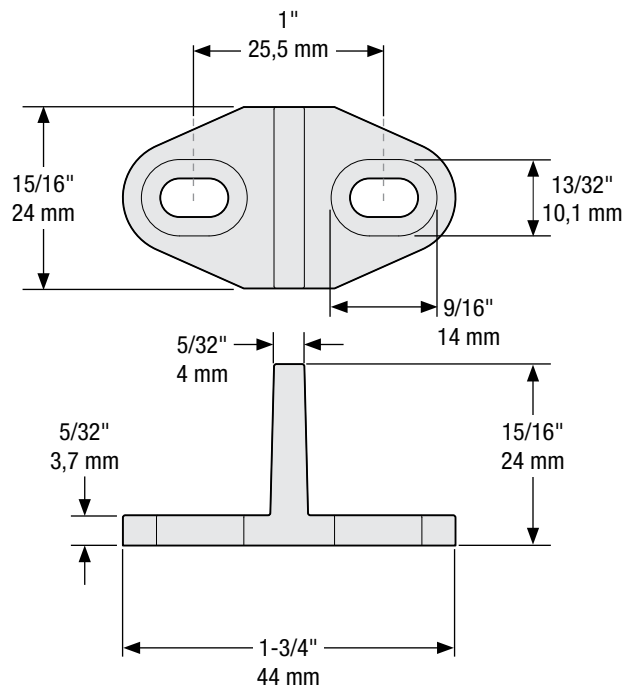
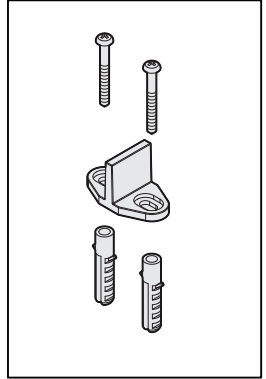
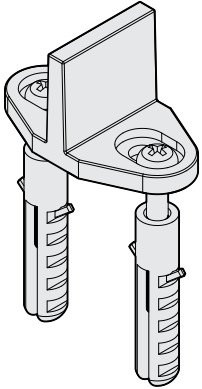
<b>1</b>	DO NOT SCALE	<b>924</b>	<b>N186-964</b>
Revision	Dimensions are nominal and subject to change.	Family No.	SKU
<b>November 2015</b>	©2015 Spectrum Brands, Inc.	<b>Decorative Interior Sliding Door Hardware Horseshoe</b>	
Date		Description	



Fasteners: (4) Phillips Screw,  
5/32" x 1" Long, Self Tapping  
(4) Anchor, 5/16", Plastic

## Double Floor Guide

Revision	<b>1</b>	DO NOT SCALE	<b>924</b>	<b>N186-964</b>
Date	<b>November 2015</b>	Dimensions are nominal and subject to change.	Family No.	SKU
		©2015 Spectrum Brands, Inc.	<b>Decorative Interior Sliding Door Hardware Horseshoe</b>	
			Description	



Fasteners: (2) Phillips Screw,  
5/32" x 1-3/8" Long, Self Tapping  
(2) Anchor, 5/16", Plastic

### Single Floor Guide

Revision	<b>1</b>	DO NOT SCALE	<b>924</b>	<b>N186-964</b>
Date	<b>November 2015</b>	Dimensions are nominal and subject to change.	Family No.	SKU
		©2015 Spectrum Brands, Inc.	<b>Decorative Interior Sliding Door Hardware Horseshoe</b>	
			Description	