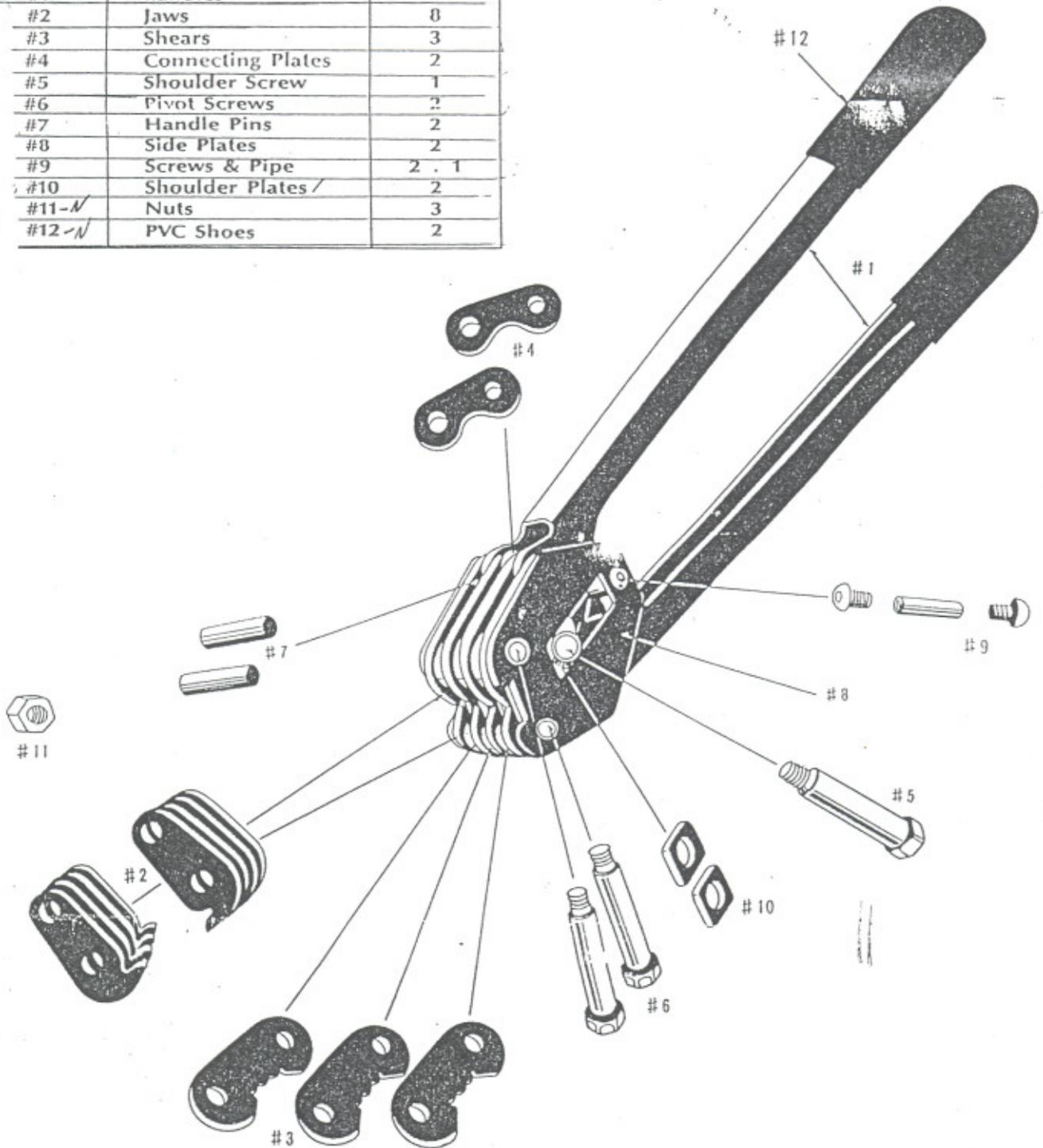


# SEALER

For Plastic Strapping

PARTS LIST		
Part No.	Part Name	Qty./Tool
#1	handles	2
#2	Jaws	8
#3	Shears	3
#4	Connecting Plates	2
#5	Shoulder Screw	1
#6	Pivot Screws	2
#7	Handle Pins	2
#8	Side Plates	2
#9	Screws & Pipe	2 . 1
#10	Shoulder Plates /	2
#11-N	Nuts	3
#12-N	PVC Shoes	2



WHEN ORDERING parts, be sure to specify the size or model number of the sealer, in addition to the part number.

S3300C