

north states™

*Quality Products
for the way you live*

INSTRUCTIONS FOR MODELS 8648 / 8649 / 8748 / 8749



IMPORTANT: PLEASE KEEP FOR FUTURE REFERENCE!

For helpful tips and instructions, please visit our website: www.northstatesind.com or contact our Customer Care department via email: CustomerService@northstatesind.com
Phone: (763) 486-1756 or Toll Free: (800) 848-8421

Intended for use with children 6-24 months

EXTRA-WIDE GATE

MODELS 8648 / 8649 / 8748 / 8749

WARNING

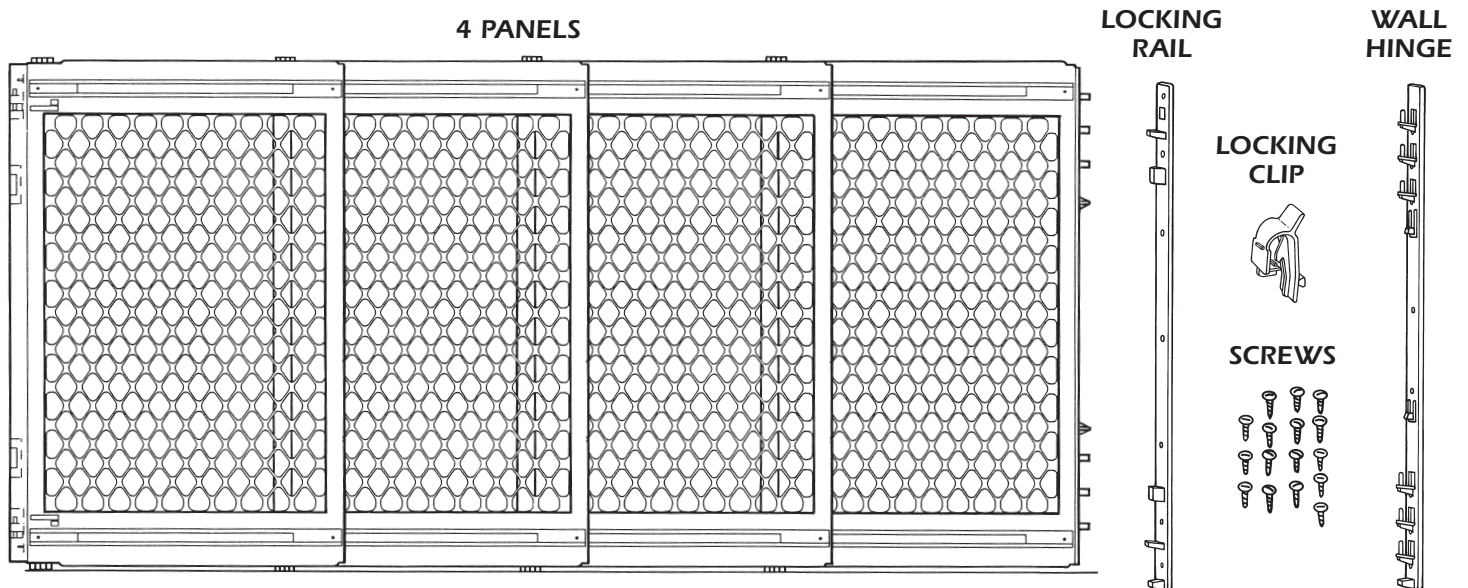
- To prevent serious injury or death, securely install and use gate according to manufacturer's instructions.
- Never use with a child able to climb over or dislodge the gate.
- This gate will not necessarily prevent all accidents.
- **Never leave child unattended.**
- Use only with locking/latching mechanism securely engaged.
- This product is intended for use with children from 6 to 24 months of age.
- Do not attempt to use this gate in temperatures less than 40 degrees F or damage may result.
- Stop using gate if any parts are missing or become damaged.
- Periodically check all fasteners to be sure they are tight and secure.
- This gate is to be used in openings 22" to 62" only.
- Hardware is included for use in solid materials only, such as wood or metal.

Parts List

PART NO.		QUANTITY	DESCRIPTION
Gray	Ivory		
11325	25953	1	Locking Rail
11326	25954	1	Wall Hinge
11327	25955	1	Locking Clip
11359	25941	1	Hardware Package <small>(1 Locking Clip, 16 Screws, Instruction Manual)</small>

IMPORTANT:

Please remove all parts from the carton and review the parts diagram to familiarize yourself with the EXTRA-WIDE GATE and all components before you install the gate.

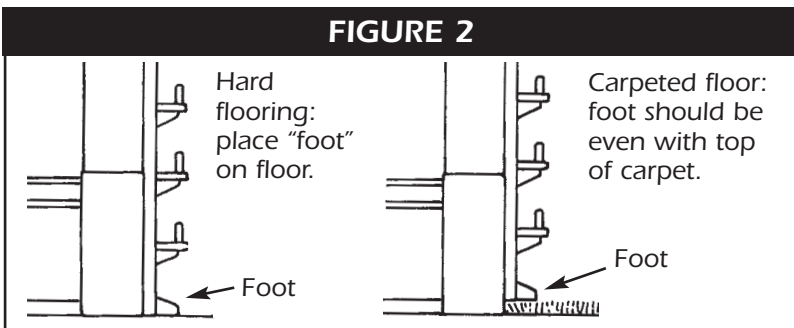
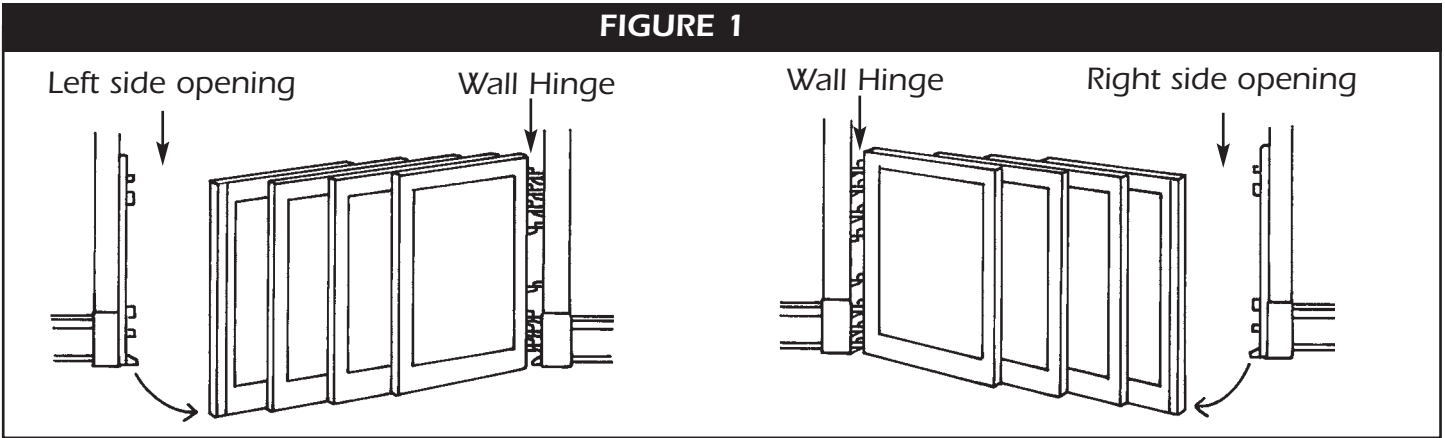


To ensure safe operation, additional or replacement parts should be obtained only from North States or its authorized distributors. Contact information appears on the cover of these instructions.

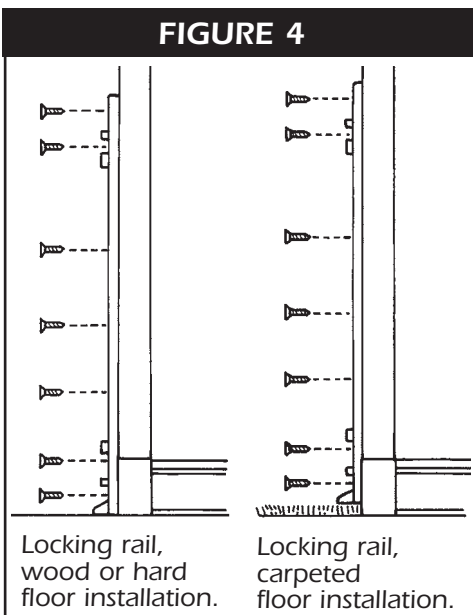
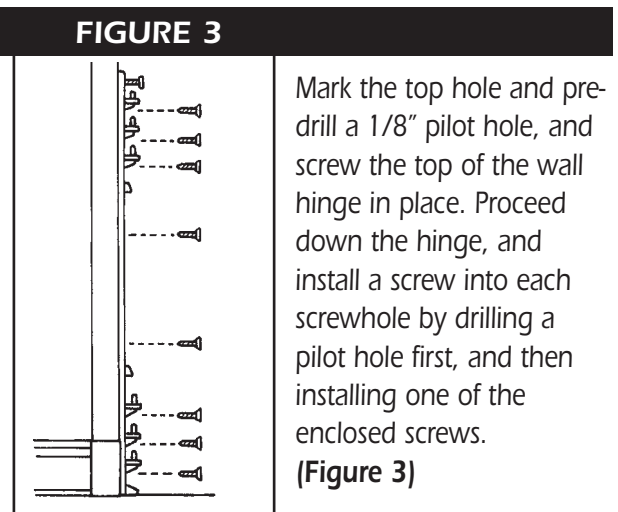
INSTALLATION INSTRUCTIONS

Your new Supergate is a hinge-mounted gate only (it swings like a door on hinges). Before proceeding with your installation, you must decide which way you want your Supergate to swing. **(Figure 1)**

WARNING: NEVER MOUNT THE GATE SO THAT IT SWINGS OVER A STAIRWAY. DO NOT MOUNT GATE HINGES INTO SHEET ROCK OR PLASTER. HARDWARE IS INCLUDED FOR USE IN SOLID MATERIALS ONLY, SUCH AS WOOD OR METAL.



Once decided, you are ready to begin with the installation of the wall hinge (this is the side that does not swing out). If you have hard flooring, (tile, ceramic, etc.) the bottom "foot" of the wall hinge should be placed on the flooring. **(Figure 2)** If your flooring is carpeted, the bottom of the foot should be even with the top of your carpeting. **(Figure 2)**



The other side of the opening requires mounting the locking rail. Follow the same steps as for mounting the wall hinge. Make sure that if you are installing over carpet, that the bottom foot of the locking rail is even with the top of the carpet, the same as the wall hinge. **(Figure 4)**

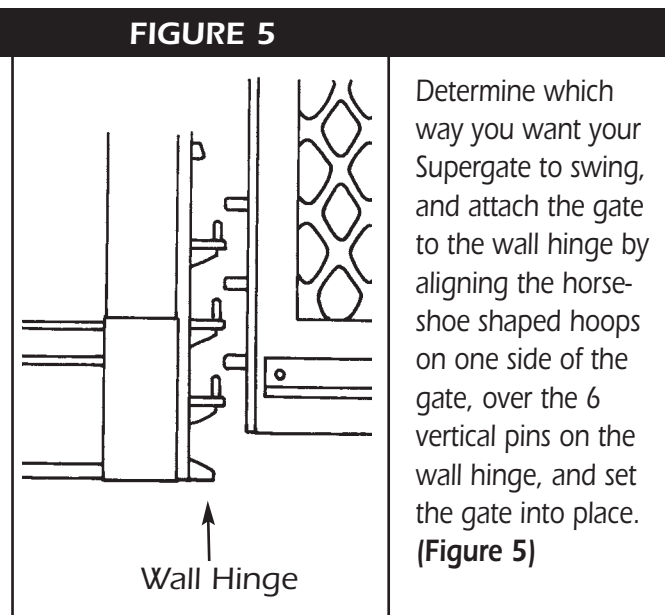
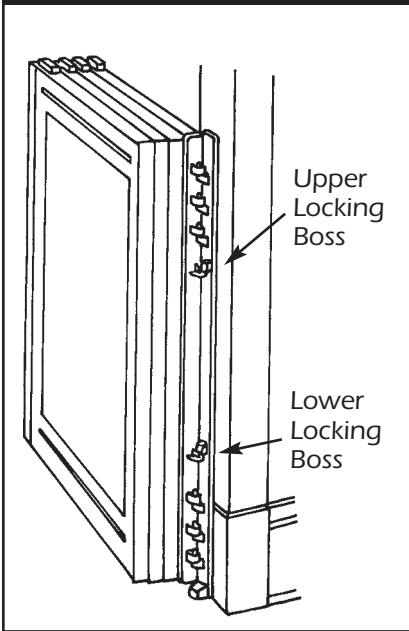


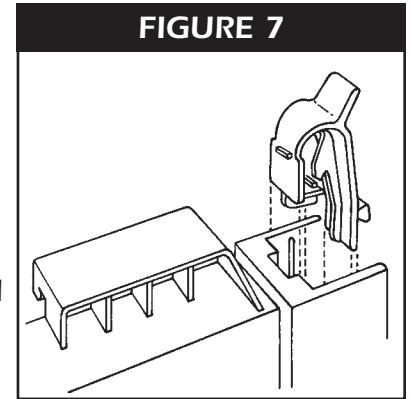
FIGURE 6

If your gate does not swing in the desired direction, it can be removed from the wall hinge (until the locking clip is installed, the gate has no top or bottom), rotated 180 degrees, and remounted.

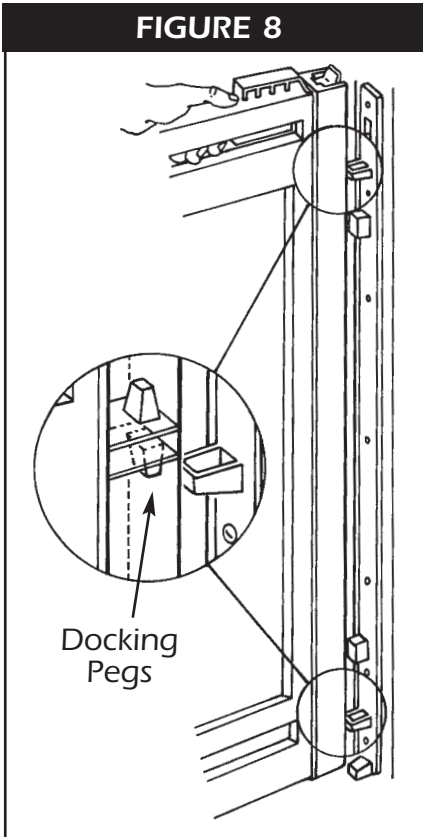
To remove the gate from the wall hinge, press in on the upper locking boss (**Figure 6**) located on the wall hinge, and lift up on the gate itself, until the gate rib clears the locking boss. Then press in on the lower locking boss, and lift your gate off the wall hinge. You can now rotate the gate, and remount it so it swings in the desired direction.

ALWAYS LEAVE THE GATE MOUNTED TO THE WALL HINGE WHEN SMALL CHILDREN ARE PRESENT, SO THAT THERE WILL BE NO EXPOSED HINGE PINS.

Once the gate swings in the desired direction, you can insert the locking clip into place. (**Figure 7**) By design, the locking clip is very hard to remove, and once installed, determines the top of the gate from the bottom. (The locking clip is always on the top).

FIGURE 7

OPERATING YOUR GATE

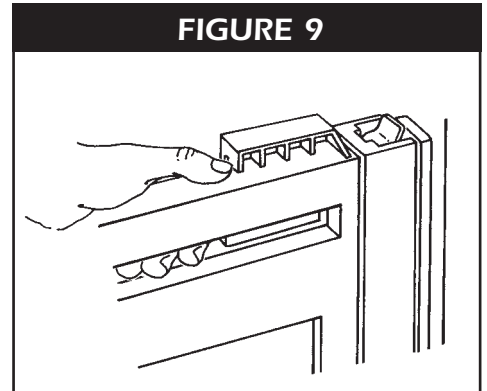
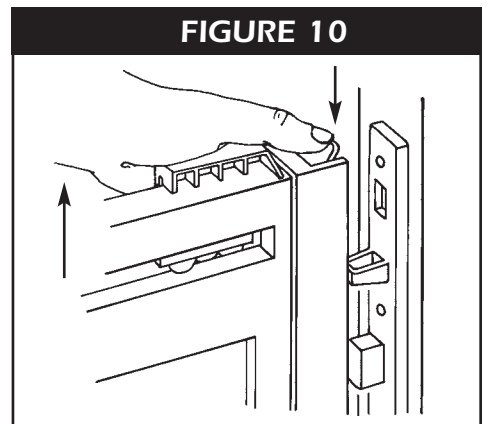
FIGURE 8

To operate the gate, simply slide it closed, until the locking end of the gate has reached the locking rail. Align the gate end with the locking rail, (**Figure 8**) and lift up slightly on the gate allowing the docking pegs to fit into the locking rail top and bottom openings. Press the gate end into place. You may hear a slight click as the locking clip engages the locking rail. (**Figure 9**)

NOTE: Make sure both top and bottom docking pegs are engaged. You should not be able to lift up the gate locked end if it is engaged correctly with the locking rail.

To unlock the gate, push down with your thumb on the locking clip, and pull up on the gate panel. (Figure 10)

You can remove the gate, as described in the installation instructions, for cleaning.

FIGURE 9**FIGURE 10**

CLEANING YOUR GATE

Wash with warm water using mild liquid soap. Use a soft cloth to avoid scratching the gate.

Rinse with clear water and wipe dry with a soft cloth.

NOTE: Never use solvents, chemicals, scouring powders or sharp tools when cleaning the gate.

INSTALLATION OF EXTRA-WIDE GATE WITH MOLDINGS OR BASEBOARDS

TOOLS NEEDED: Measuring tape, hand drill and screwdriver.

In an opening that has moldings or baseboards, we suggest obtaining strips of wood from your local hardware or home center store that are as deep as the moldings or baseboards and as wide as the locking rail or wall hinge. You then attach these strips of wood, or "spacers", above the molding, allowing the wall hinge and locking rail to be attached as close to the floor as possible.