



4700 W. 160th St.
Cleveland, Ohio 44135
Ph: (800) 321-9532
Fax: (800) 321-9535
www.oatey.com

Easy Tap™ Closet Flange



SUBMITTAL SPECIFICATION

Engineering Specification: Oatey Easy Tap™ Closet Flange is a premium, durable closet flange, available in a variety of materials and styles, offering the highest level of performance. The Easy Tap™ has a patent-pending design where the test cap breaks-out easily and cleanly, eliminating the possibility of falling down the DWV line. Solvent weld over 3" or inside 4" Sch. 40 DWV pipe.

Job Reference



Materials:

ABS Plastic- Black
PVC Plastic -White
Stainless Steel Ring-400 Series
Metal Ring -Painted

Compliance Listing:

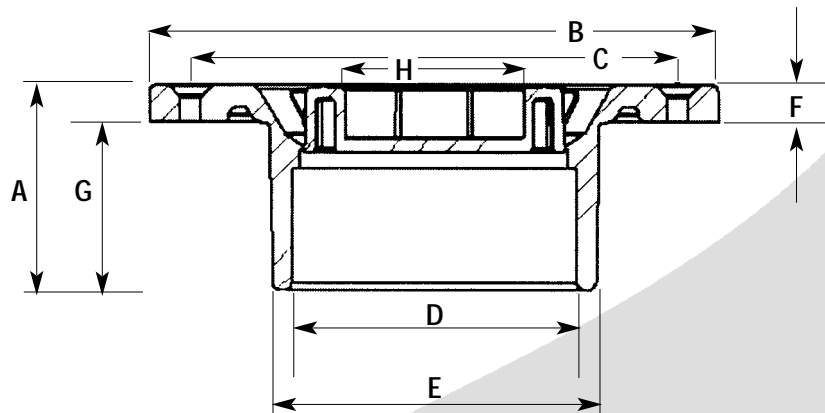
PVC
IAPMO Listing File #2896
Markings:UPC, cUPC, ASTM D 2665

Compliance Listing:

ABS
IAPMO Listing File # 3905
Markings: UPC, cUPC, ASTM D 2661

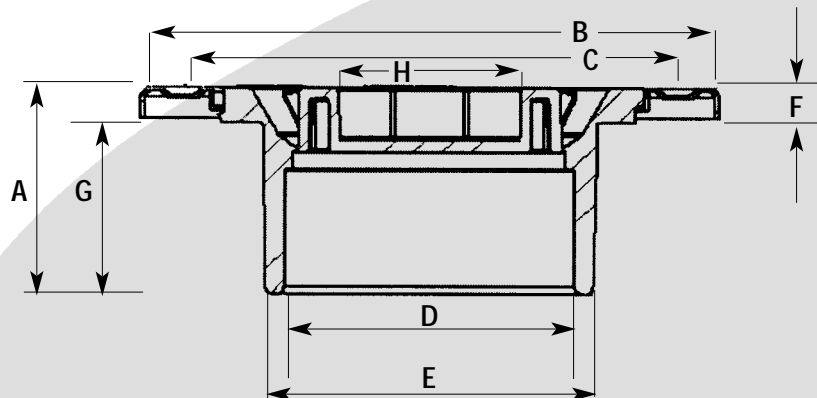
CLOSET FLANGE

- A. Overall Height - 2.56"
- B. Overall Diameter - 7.00"
- C. Screw Centers - 6.00"
- D. Hub I.D. - 3.52"
- E. Hub O.D.- 3.96"
- F. Flange Ring Thickness - 0.45"
- G. Hub Depth - 2.11"
- H. Test Cap Diameter - 3.20"



WITH METAL & STAINLESS STEEL RING

- A. Overall Height - 2.53"
- B. Overall Diameter - 7.01"
- C. Screw Centers - 6.00"
- D. Hub I.D. - 3.52"
- E. Hub O.D.- 3.96"
- F. Flange Ring Thickness - 0.44"
- G. Hub Depth - 2.11"
- H. Test Cap Diameter - 3.20"



Easy Tap® Closet Flange

✓	Prod. No	Description	Pk.Qty.	Ctn.Wt.
	43556	3" or 4" ABS Easy Tap Closet Flange	12	8.2
	43552	3" or 4" ABS Easy Tap Closet Flange w/ Stainless Steel ring	12	9.8
	43558	3" or 4" ABS Easy Tap Closet Flange with metal ring	12	10.4
	43557	3" or 4" PVC Easy Tap Closet Flange	12	11.3
	43553	3" or 4" PVC Easy Tap Closet Flange w/ Stainless Steel ring	12	11.9
	43559	3" or 4" PVC Easy Tap Closet Flange with metal ring	12	12.5
	43610	3" or 4" ABS Easy Tap Closet Flange	24	16.3
	43611	3" or 4" ABS Easy Tap Closet Flange w/ Stainless Steel ring	24	19.6
	43612	3" or 4" PVC Easy Tap Closet Flange	24	22.5
	43613	3" or 4" PVC Easy Tap Closet Flange w/ Stainless Steel ring	24	23.7

Visit www.oatey.com for updates.



Data is subject to manufacturing tolerances.