



5 Gallon Air Compressor

Owner's Manual



Model No. PCE6050T

For Service Please Call Toll Free: 1-866-591-8921

⚠ WARNING ⚠

Read and follow all safety rules and instructions in this manual before attempting to operate this machine. Failure to comply with these instructions may result in personal injury.

Diagrams within this manual may not be drawn proportionally. Due to continuing improvements, the actual product may differ slightly from the product described herein.

Owner's Manual

Table of Contents

Topic	Page
Safety Guidelines-Definitions	4
Hazard Warnings	5
Air Compressor	15
Precautions	15
Basic Air Compressor Components	16
Assembling the Air Compressor	16
Compressor Controls	18
Electrical Power Requirements	19
Breaking In The Pump	21
Operating Instructions	21
Maintenance	23
Storage	24
Service	24
Troubleshooting	25
Glossary Terms	29
Parts Listing	30
Limited Warranty	34

Air Compressor



Warning! Read And Understand All Safety Precautions In This Manual Before Operating. Failure To Comply With Instructions In This Manual Could Result In Personal Injury, Property Damage, And / Or Voiding Of Your Warranty. Pulsar Products, Inc. Will Not Be Liable For Any Damage Because Of Failure To Follow These Instructions.

Air Compressor

Prior to installation and usage, thoroughly inspect air compressor for damages.

- Check the tank, compressor, compressor motor, and pump for any signs of damage or corrosion.
- Check all screws, bolts, nuts and fasteners, confirm that they are secure.
- Confirm that all fittings, tank petcock, hardware and paint, are free from rust and corrosion.
- Confirm that all compressor settings are correct prior to start up and usage.

Air Tool Inspection

Prior to connecting and using the compressor, thoroughly inspect each air tool for damage.

- Check the entire tool assembly for any signs of damage or corrosion.
- Check all assembly screws, bolts, nuts and fasteners, confirm that they are secure.
- Confirm that all fittings, bits and hardware are in good condition.
- Confirm that the tool settings are correct prior to connection and usage.

Owner's Manual

SAFETY GUIDELINES-DEFINITIONS

This manual contains important information that you need to know and understand in order to protect YOUR SAFETY and to PREVENT EQUIPMENT PROBLEMS. The following symbols help you recognize this information. Please read the manual and pay attention to these sections.



WARNING! WARNINGS INDICATE A CERTAINTY OR STRONG POSSIBILITY OF PERSONAL INJURY OR DEATH IF INSTRUCTIONS ARE NOT FOLLOWED.



CAUTION: CAUTIONS INDICATE A POSSIBILITY OF EQUIPMENT DAMAGE IF INSTRUCTIONS ARE NOT FOLLOWED.



NOTE: NOTES GIVE HELPFUL INFORMATION.



WARNING! IMPROPER OPERATION OR MAINTENANCE OF THIS PRODUCT COULD RESULT IN SERIOUS INJURY AND PROPERTY DAMAGE. READ AND UNDERSTAND ALL WARNINGS AND OPERATING INSTRUCTIONS BEFORE USING THIS EQUIPMENT. WHEN USING AIR TOOLS, BASIC SAFETY PRECAUTIONS SHOULD ALWAYS BE FOLLOWED TO REDUCE THE RISK OF PERSONAL INJURY.

Save These Important Safety Instructions!

Read and understand all of these safety instructions. Be sure to retain them for future use.

Air Compressor

Hazard Warnings

Dust



WARNING! DUST FROM POWER SANDING, SAWING, GRINDING, DRILLING, AND OTHER CONSTRUCTION ACTIVITIES CONTAIN CHEMICALS KNOWN TO THE STATE OF CALIFORNIA TO CAUSE CANCER, BIRTH DEFECTS OR OTHER REPRODUCTIVE HARM.

These chemicals may include (but are not limited to) the following:

- Lead from lead-based paints
- Crystalline silica from bricks, cement and other masonry products
- Arsenic and chromium from chemically-treated lumber

The risk from these exposures vary, depending on how often you do this type of work. To reduce your exposure to these chemicals: Work in a well-ventilated area, and work with approved safety equipment. Always wear MAHA/MIOSH approved properly fitted face masks or respirators when using such tools. Always follow basic safety precautions when using air tools to reduce the risk of personal injury.

Bursting:

Rust can weaken the tank. Drain the condensed water from the tank after each use to reduce rusting. If a leak is detected in the tank, replace the tank immediately. Do not weld, drill or modify the air tank of this compressor. Welding or modifications on the air compressor tank can severely impair tank strength and cause an extremely hazardous condition. Welding or modifying the tank in any manner will void the warranty.

Check the manufacturer's maximum pressure rating for air tools and accessories. Compressor outlet pressure must be regulated so not to exceed the maximum pressure rating of the tool. Relieve all pressure in the hose before attaching or removing accessories.

Do not tamper with the pressure switch or relief valve for any reason. Doing so voids all warranties. They have been preset at the factory for the maximum pressure of this unit. Personal injury and/or property damage may result if the pressure switch or the relief valve are tampered with.

Do not use plastic or PVC pipe for compressed air. Use only galvanized steel pipe & fittings for compressed air distribution lines.

Owner's Manual

Hazard Warnings (cont'd)

RISK OF EYE OR HEAD INJURY

What could happen:

- Air powered equipment and power tools are capable of propelling materials such as fasteners, metal chips, saw dust, and other debris at high speed which could result in serious eye injury.
- Compressed air can be hazardous. The air stream can cause injury to soft tissue areas such as eyes, ears, etc. Particles or objects propelled by the stream can cause injury.
- Tool attachments can become loose or break and fly apart, propelling particles at the operator and others in the work area.

How to prevent it:

- Always wear ANSI approved Z87.1 safety glasses with side shields.
- Never leave operating tool unattended. Disconnect air hose when tool is not in use.
- For additional protection, use an approved face shield in addition to safety glasses.
- Make sure that any attachments are securely assembled.
- Never point any nozzle or sprayer toward a person or any part of the body.
- Equipment can cause serious injury if the spray penetrates the skin.

Air Compressor

Hazard Warnings (cont'd)

RISK OF FIRE OR EXPLOSION



What could happen:

- Abrasive tools such as sanders and grinders; rotating tools such as drills and impact tools such as nailers, staples, wrenches, hammers and reciprocating saws are capable of generating sparks which could result in ignition of flammable materials.
- It is normal for the compressor motor and pressure switch to produce sparks while operating. If sparks come into contact with vapors from gasoline or other solvents, they may ignite, causing a fire or explosion.
- Exceeding the maximum pressure rating of tools or accessories could cause an explosion resulting in serious injury.

How to prevent it:

- Never operate tools near flammable substances such as gasoline, cleaning solvents, etc.
- Work in a clean, well-ventilated area free of combustible materials.
- Never use oxygen, carbon dioxide or other bottled gases as a power source for air tools.
- Use compressed air regulated to maximum pressure at or below the rated pressure of any attachments.
- Never connect to an air source that is capable of exceeding 90 psi.
- Always verify prior to using the tool that the air source has been adjusted to the rated air pressure range.
- Never spray flammable liquids in a confined area. Do not spray where sparks or flames are present.
- Do not smoke while spraying.
- Keep compressor as far from spray area as possible.

Owner's Manual

Hazard Warnings (cont'd)

RISK OF HEARING LOSS



What could happen:

- Long term exposure to noise produced from the operation of air tools can lead to permanent hearing loss.

How to prevent:

- Always wear ANSI S3.19 hearing protection when using a compressor.

RISK TO BREATHING/INHALATION HAZARD

What could happen:

- Abrasive tools such as grinders, sanders and cut-off tools generate dust and abrasive materials which can be harmful to human lungs and respiratory system.
- Some materials such as adhesives and tar contain chemicals whose vapors could cause respiratory damage. Read all instructions to be sure that your respirator mask will protect you.
- Always work in a clean, dry, well-ventilated area.
- Never directly inhale compressed air produced by a compressor. It is not suitable for breathing purposes.
- Be certain to read all labels and follow the safety instructions when you are spraying paints or toxic materials.

Air Compressor

Hazard Warnings (cont'd)

RISK OF INJURY

What could happen:

- Tools left unattended or with the air hose attached can be activated by unauthorized persons leading to their injury and/or injury to others.
- Air tools can propel fasteners or other materials throughout the work area.
- A wrench or key that is left attached to a rotating part of the tool increases the risk of personal injury.
- Using inflator nozzles for duster applications can cause serious injury.
- Air tools can become activated by accident during maintenance or tool changes.
- Air tools can cause the work piece to move upon contact leading to injury.
- Loss of control of the tool can lead to injury and/or injury to others.
- Poor quality, improper or damaged tools such as grinding wheels, chisels, sockets, drills, nailers, staples, etc., can fly apart during operation, propelling particles throughout the work area causing serious injury.
- Fasteners could ricochet or be propelled causing serious injury or property damage.
- Improperly maintained tools and accessories can cause serious injury.
- There is a risk of bursting if the tool is damaged.
- The compressor unit starts automatically. Serious injury could occur from contact with moving parts.

Owner's Manual

Hazard Warnings (cont'd)

RISK OF INJURY (cont'd)

How to prevent it:

- Remove the air hose when the tool is not in use and store tool in a secure location away from the reach of children and/or untrained users.
- Use only parts, fasteners and accessories recommended by the manufacturer.
- Keep the work area clean and free of clutter. Keep children and others away from the area during operation of the tool.
- Keep the work area well lit.
- Remove adjusting keys and wrenches before turning the tool on.
- DO NOT use inflator nozzles for dusting applications.
- Remove the air hose to lubricate or add grinding attachments, sanding discs, drills, etc.
- Never carry the tool by the hose.
- Avoid unintentional starting.
- Repair servicing should be done only by an authorized service representative.
- Never operate the tool while under the influence of drugs or alcohol.
- Don't overreach. Keep proper footing and balance at all times.
- Keep the handles dry, clean and free from oil and grease.
- Stay alert. Watch what you are doing. Use common sense. Do not operate the tool when you are tired.
- Never use tools which have been dropped, impacted or damaged.

Air Compressor

Hazard Warnings (cont'd)

RISK OF INJURY (cont'd)

- Use only impact grade sockets on an impact wrench.
- Do not apply excessive force to the tool. Let the tool perform the work.
- Never point discharge of tool at yourself or others.
- Do not pull the trigger unless the tool contact safety of the device is against work surface.
- Never attempt to drive fasteners into hard surfaces such as steel, concrete or tile when using air tools.
- Use only accessories identified by the manufacturer to be used with specific tools.
- Maintain the tool with care.
- Keep a cutting tool sharp and clean. A properly maintained tool with sharp cutting edges reduces the risk of binding and is easier to control.
- Check for misalignment of binding or moving parts, breakage of parts and any other condition that affects the tool's operation. If damaged, have the tool serviced before using.
- Use of an accessory not intended for use with the specific tools increases the risk of injury .
- Always shut the compressor off remove the plug from the outlet, and bleed all pressure from the system before servicing the compressor or when the compressor is not in use.
- Do not operate the unit with the shroud removed.

Owner's Manual

Hazard Warnings (cont'd)

RISK OF ELECTRIC SHOCK

What could happen:

- Using air tools attached directly to electrical wiring can result in electrocution or death.
- Improper electrical connections can result in fires, electrocution, or death.
- If the tool is not provided with an insulated gripping surface, contact with a "live" wire makes exposed metal tool parts also "live", resulting in possible electrocution or death.
- Fasteners coming in contact with hidden electrical wiring could cause electrocution or death.

How to prevent it:

- Never attach electrical wiring directly to energized tools.
- Avoid body contact with grounded surfaces such as pipes, radiators, ranges and refrigerators. There is an increased risk of electric shock if your body is grounded.
- Thoroughly investigate the work place for possible hidden wiring before performing work.
- A licensed electrician in accordance with all local and national codes must install all wiring.
- Never use an electric air compressor outdoors when it is raining or on a wet surface, as it may cause an electric shock.

Air Compressor

Hazard Warnings (cont'd)

RISK OF ENTANGLEMENT

What could happen:

- Tools containing moving elements or driving other moving tools (grinding wheels, sockets, sanding discs, etc.) can become entangled in hair, clothing, jewelry and other loose objects, thereby resulting in injury.

How to prevent it:

- Never wear loose fitting clothes or apparel that contain loose straps, ties, etc. which could become entangled in moving parts.
- Remove any jewelry, watches, bracelets, necklaces, etc. which might become caught in the tool.
- Keep your hands away from moving parts. Tie up or cover long hair.

Owner's Manual

Hazard Warnings (cont'd)

RISK OF CUT OR BURNS

What could happen:

- Tools which cut, shear, drill, staple, punch, chisel, etc. are capable of causing serious injury.
- The pump and manifold generate high temperatures.

How to prevent it:

- Keep the working part of the tool away from your hands and body.
- Do not touch the pump, manifold or transfer tube while the pump is running. Allow them to cool before handling or servicing.
- Keep children away from the compressor at all times.

Air Compressor

Compressor

Model Number	PCE6050T
Horse Power	3.5 Peak
Tank Capacity Gallons/Liters	5/19
Voltage/Amps/Phase	120/11/1
Kick-In Pressure	85
Kick-Out Pressure	115



WARNING! The power cord on this product contains lead, a chemical, known to the state of California to cause cancer and birth defects or other reproductive harm. Wash your hands after handling.

Precautions

- Drain the moisture from the tank before each use to help prevent corrosion.
- Pull the pressure relief valve ring before each use to ensure proper function and to clear possible obstructions
- To provide proper ventilation for cooling, the compressor must be kept at least 12 inches (31cm) from the nearest wall, in a well-ventilated area.
- Fasten the compressor securely and release the tank pressure before transporting.
- Protect the air hose and electric cord from damage and puncture. Inspect them for weak or worn spots, and replace if necessary.
- To reduce the risk of electric shock, do not expose to rain. Store indoors.
- Never operate the compressor if the power cord or plug is damaged. Take the equipment to nearest authorized service center and a technician will replace it.

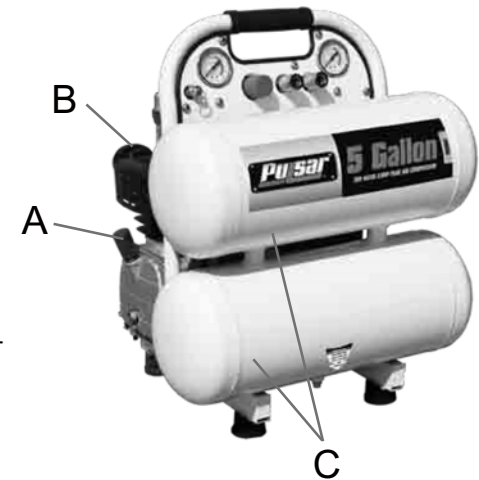
Owner's Manual

Compressor (cont'd)

Basic Air Compressor Components

Oil-less air compressors are factory lubricated for life and do not require any oil.

The basic components of the air compressor are the electric motor, pump, pressure switch, and tank. The electric motor (see A) powers the pump. The electric motor is equipped with an overload protector and an automatic reset. If the motor becomes overheated, the overload protector will shut it down to prevent damage to the motor. When the motor sufficiently cools, it will automatically restart.



The pump (see B) compresses the air and discharges it into the tank.

The tank (see C) stores the compressed air.

The pressure switch (located internally) shuts down the motor and relieves air pressure in the pump and transfer tube when the air pressure in the tank reaches the kick-out pressure. As compressed air is used and the pressure level in the tank drops to the kick-in pressure, the pressure switch restarts the motor automatically, without warning, and the pump resumes compressing air.

Assembling the Air Compressor

Unpack the air compressor. Inspect the unit for damage. If the unit has been damaged in transit, contact the carrier and complete a damage claim. Do this immediately because there are time limitations to damage claims. The carton should contain.


- Air Compressor
- Manual
- Oil
- Oil Plug
- Air Filter

Air Compressor

Compressor (cont'd)

Assembling the Compressor (cont'd)

- 1) Check the compressor's serial label to ensure that you have received the model ordered, and that it has the required pressure rating for its intended use.
- 2) Place the compressor according to the following guidelines:
 - a. Position the compressor near a grounded electrical outlet.
 - b. The compressor must be at least 12 inches (31 cm) from any wall or obstruction, in a clean, dry ventilated area, to ensure sufficient air flow and cooling.
 - c. In cold climates, store portable compressors in a heated building when not in use. This will reduce problems with motor starting and freezing of water condensation.
 - d. Remove the compressor from the shipping pallet or carton and place it on the floor or a hard, level surface. The compressor must be level to ensure proper drainage of the moisture in the tank.
- 3) Screw in air filter supplied.
- 4) Replace plastic cover on the engine crank case with oil plug supplied.
- 5) Connect an air hose to the compressor hose outlet. (not included)

 **Note:** Make sure to put the proper amount of oil in the air compressor before you start. (see page 23)

Owner's Manual

Compressor (cont'd)

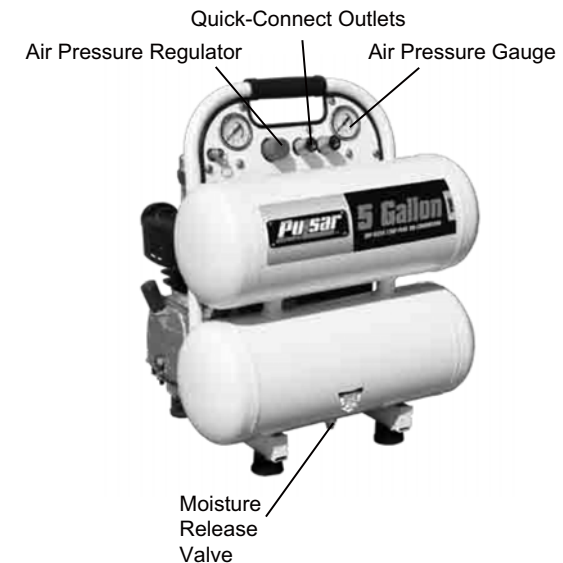
COMPRESSOR CONTROLS

Pressure switch: This switch turns on and off the compressor. It is operated automatically when the power switch is in the ON position, it allows the compressor to start up or shut down automatically, without warning, depending upon air demand.

Pressure Relieve Valve: If the pressure switch does not shut down the motor when pressure reaches the preset level, this valve will pop open automatically to prevent over pressurization. To operate manually, pull the ring on the valve to relieve air pressure in the tank.

Tank Pressure Gauge: This gauge measures the pressure level of the air stored in the tank. It is not adjustable by the operator, and does not indicate line pressure.

Air Pressure Regulator: This air pressure regulator enables you to adjust line pressure to the tool you are using.



WARNING! NEVER EXCEED THE MAXIMUM WORKING PRESSURE OF THE TOOL. TURN THE KNOB CLOCKWISE TO INCREASE PRESSURE, AND COUNTERCLOCKWISE TO DECREASE PRESSURE.

Air Compressor

Compressor (cont'd)

COMPRESSOR CONTROLS

Regulated pressure quick connect coupler: This coupler connects to the regulated outlet pressure. To connect air hose, push coupler in. To disconnect air hose, pull the coupler collar back and separate the coupling.

Electrical Power Requirements

Electrical Wiring

Refer to the air compressor's registration label for the unit's voltage and amperage requirements. Use a dedicated circuit. For best performance and reliable starting, the air compressor must be plugged into a dedicated circuit, as close as possible to the fuse box or circuit breaker. The compressor will use the full capacity of a typical 15 amp household circuit. If other devices are on the same circuit, the compressor may fail to start. Low voltage or an overloaded circuit can result in sluggish starting that causes the motor overload protection system circuit breaker to trip, especially in cold conditions.



Note: A circuit breaker is recommended. If the air compressor is connected to a circuit protected by a fuse, use a dual element time delay fuses (Buss Fusetron type "1" only).



Note: Avoid use of extension cords. If use of an extension cord is necessary, be sure to use an extension with the correct specifications.

For optimum performance, plug the compressor power cord directly into a grounded wall socket. Do not use an extension cord unless absolutely necessary. Instead, use a longer air hose to reach the area where the air is needed.

If use of an extension cord cannot be avoided, the cord should be no longer than 100 feet and be a minimum wire size of 14 gauge (AWG).

Owner's Manual

Compressor (cont'd)

ELECTRICAL POWER REQUIREMENTS (cont'd)

Extension Cord

Use the chart on the right for the proper extension cord length.

AMP RATING	LENGTH OF CORD IN FEET			
	25'	50'	100'	150'
(120 Volts)				
10-12	16	14	10	8
12-14	16	12	10	8
14-16	16	12	10	8
16-18	14	12	8	8
18-20	14	12	8	8

Use only a 3-wire extension cord that has a 3-blade grounding plug and a 3-slot receptacle that will accept the plug of the product. Make sure your extension cord is in good condition. An undersized cord will cause a drop in line voltage as well as a loss of power and overheating. The smaller the gauge number, the heavier the cord.

Grounding Instructions

This product is equipped with a cord having a grounding wire and an appropriate grounding plug. The plug must be plugged into an outlet that is properly installed and grounded in accordance with all local codes and ordinance.



WARNING! IMPROPER INSTALLATION OF THE GROUNDING PLUG CAN RESULT IN THE RISK OF ELECTRIC SHOCK. IF REPAIR OR REPLACEMENT OF THE CORD OR PLUG IS NECESSARY, DO NOT CONNECT THE GROUNDING WIRE TO THE FLAT BLADE TERMINAL. THE WIRE INSULATION THAT HAS AN OUTER SURFACE THAT IS GREEN GREEN WITH, OR WITHOUT, YELLOW STRIPES IS THE GROUNDING WIRE.

This product is for use on a nominal 110 volt circuit. An outlet having the same configuration as the plug. No adapter should be used with this product. Do not alter the plug to fit into a non-Ground or 2-slot receptacle.

Air Compressor

Compressor (cont'd)

BREAKING IN THE PUMP

1. Turn the switch to the OFF position.
2. Open the petcock. Turn counterclockwise (loosen).
3. Plug in the power switch to the ON position.
4. The compressor will start.

ALLOW THE COMPRESSOR TO RUN FOR 15 MINUTES, TO BREAK IN THE INTERNAL PARTS.



CAUTION: AFTER ABOUT 15 MINUTES. IF THE UNIT DOES NOT OPERATE PROPERLY, SHUT IT DOWN IMMEDIATELY AND CONTACT PRODUCT SERVICE CENTER 1-866-591-8921.

5. After about 15 minutes, turn the power switch to the OFF position.
6. Close the petcock. Turn in the clockwise direction.
7. Turn the power switch to the ON position. The compressor will start and fill the tank to the kick-out pressure and stop.



Note: As compressed air is used, the pressure switch will restart the motor automatically.



Note: During the initial break-in cycle, there will be a slight electrical smell as the motor brushes seat. This is normal for universal motors and will last for about 5 minutes.

OPERATING INSTRUCTIONS

Periodic Starting

1. Turn the power switch to the OFF position.
2. Close the tank petcock. Turn in the clockwise direction.
3. Plug in the power cord.
4. Turn the power switch to the ON position.

Owner's Manual

Compressor (cont'd)

OPERATING INSTRUCTIONS



WARNING! HIGH TEMPERATURES ARE GENERATED BY THE ELECTRIC MOTOR AND THE PUMP. TO PREVENT BURNS OR OTHER INJURIES, I DO NOT TOUCH THE COMPRESSOR WHILE IT IS RUNNING. ALLOW IT TO COOL I BEFORE HANDLING OR SERVICING. KEEP CHILDREN AWAY FROM THE COMPRESSOR AT ALL TIMES.



WARNING! WHEN ADJUSTING FROM A HIGHER TO A LOWER PRESSURE, TURN THE KNOB COUNTERCLOCKWISE TO REACH THE DESIRED PRESSURE. DO NOT EXCEED THE OPERATING PRESSURE OF THE TOOL OR ACCESSORY BEING USED.

5. Adjust the regulator to the working pressure of the tool. (never exceed 90 PSI)

Shut down

1. Turn the power switch to the OFF position.
2. Unplug the power cord.
3. Reduce pressure in the tank through the outlet hose. You can also pull the relief valve ring and keep it open in the tank.



WARNING! ESCAPING AIR AND MOISTURE CAN PROPEL DEBRIS THAT MAY CAUSE EYE INJURY. WEAR SAFETY GOGGLES WHEN OPENING PETCOCK.

4. Tip the compressor (if necessary for your model) so the petcock is at the bottom of the tank(s). Then open the petcock to allow moisture to drain from the tank.

Air Compressor

Compressor (cont'd)

MAINTENANCE



WARNING! TO AVOID PERSONAL INJURY, ALWAYS SHUT OFF AND UNPLUG THE COMPRESSOR AND RELIEVE ALL AIR PRESSURE FROM THE SYSTEM BEFORE PERFORMING ANY SERVICE ON THE AIR COMPRESSOR.

LUBRICATION: This air compressor requires regular lubrication for operation.



NOTE: Use air compressor oil such as SAE 10W-20. Under extreme winter conditions use SAE-10 oil. You may also use mobile 1 synthetic 10W-30 oil. Drain and refill the compressor oil after the first 100 hours of operation.



CAUTION: Compressors are shipped without oil. A small amount of oil may be present in the pump upon receipt of the air compressor. DO NOT ATTEMPT TO OPERATE THIS AIR COMPRESSOR WITHOUT FIRST ADDING OIL TO THE CRANKCASE. Serious damage can result from even limited operation unless filled with oil and broken in correctly. Follow initial start-up procedures closely. Damage caused by failure to add oil will void your warranty.



WARNING! Drain tank to release air pressure before removing the oil fill cap or drain plug. Not doing so could result in serious damage to the compressor as well as serious injury.

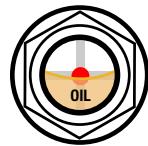
Place unit on a level surface. Remove oil fill plug and slowly add compressor oil. The oil should be filled to the middle of the oil level window (see below).

When filling the crankcase, the oil flows very slowly into the pump. If the oil is added too quickly, it will overflow and appear to be full. Crankcase oil capacity is approximately 16 fluid ounces. Replace the oil fill plug.

Drain and refill the compressor oil after the first 100 hours of operation then every 300 hours of use.



The oil should be filled to the middle of the oil level window.



OIL LEVEL WINDOW

Owner's Manual

Compressor (cont'd)

MAINTENANCE (cont'd)

Relieve the air pressure in the system and open the petcock on the bottom of the tank to drain.



WARNING! CONDENSATION WILL ACCUMULATE IN THE TANK. TO PREVENT CORROSION OF THE TANK FROM THE INSIDE, THIS MOISTURE MUST BE DRAINED AT THE END OF EVERY USE. BE SURE TO WEAR PROTECTIVE EYEWEAR.



Note: In cold climates, drain the tank after each use to reduce problems with freezing of water condensation.

Testing for Leaks

Check that all connections are right. A small leak in any of the hoses or pipe connections will substantially reduce the performance of your air compressor. If you suspect a leak, spray a small amount of soapy water with spray bottle. If bubbles appear, repair or replace the faulty component. Do not over tighten any connections.

Storage

Before storing the compressor for a prolonged period, use the nozzle to clean all dust and debris from the STORAGE compressor. Disconnect the power cord and coil it up. Pull the pressure relief valve to release all pressure from the tank. Cover the entire unit to protect it from moisture and dust.

Servicing

Perform the following maintenance at the intervals indicated below:

- Operate the pressure relief valve: After each use
- Drain air from tank After each use

Air Compressor

Compressor (cont'd)

TROUBLE SHOOTING



Note: Trouble shooting problems may have similar causes and solutions.

- The Tank petcock is open . Close the pet cock
Low pressure, not enough air or compressor does not stop.
- Prolonged excessive consumption of air
Decrease amount of air used.
- The Compressor not large enough for job
Check the air requirement of accessory. If it is higher than the CFM and pressure of the compressor, you need a larger compressor. Most accessories are rated at 25% of actual CFM while running continuously.
- Restricted check valve!
Remove and clean or replace.
- Hole in air hose!
Check and replace if necessary.
- Tank leaks!
Replace tank



WARNING! IMMEDIATELY REPLACE TANK. DO NOT ATTEMPT TO REPAIR.

- Blown seals
Replace any faulty seals.
Replace worn parts and reassemble with new seals.

Owner's Manual

Compressor (cont'd)

TROUBLE SHOOTING (cont'd)

Excessive starting and stopping, while not in use

- Fittings leak
Check the fittings with soapy water. Tighten or reseal leaking fittings. DO NOT OVERTIGHTEN.
Replace worn parts and reassemble with new seals.
Replace any regulator internal parts.
- The Regulated pressure gauge reading drops when a tool is being used.
This is normal in some applications
- Compressor not large enough
If pressure drops too low, adjust the regulator while accessory is used.
Check air requirements of a tool, it may be higher than the CFM pressure supplied by the compressor. Most accessories are rated at 25% of actual CFM while running continuously.
- Circuit breaker trips (fuse blows) too often
Low voltage, consult an electrician.
- Excessive wire length
Furnish adequate power. If using extension cord, try again without it.
- Restricted air passages
Contact an authorized service center.
- Back pressure in pump head
Replace the check valve.
Replace the pressure switch bleeder valve.

Air Compressor

Compressor (cont'd)

TROUBLE SHOOTING (cont'd)

Overheating

- Poor ventilation

Relocate the compressor to an area with cool, dry and well-circulated air.

- Dirty cooling surface

Clean all cooling surfaces of the pump thoroughly.

- Leaking valve

Replace the worn parts and reassemble with new seals.

Motor stalls

- Low voltage

Furnish adequate power.

- Defective pressure switch bleeder valve

Replace the pressure switch bleeder valve.

Pressure relief valve opens

- Tank pressure this exceeded the normal operating pressure

Replace the pressure switch

Motor will not run

- The tank pressure exceeds the pressure switch limit

Motor will start automatically when tank pressure drops below the kick-in pressure tank.

- Motor overload protection has tripped

Let the motor cool off and the overload switch will automatically reset. This may take several minutes.

Owner's Manual

Compressor (cont'd)

TROUBLE SHOOTING (cont'd)

Motor will not run (cont'd)

- A fuse blown or circuit breaker tripped

Replace the blown fuse or reset the circuit breaker. Do not use a fuse or circuit breaker with a higher rating than specified for your circuit.

Check for a proper fuse; "Fusetron" type T is acceptable.

Check for low voltage and the proper extension cord size.

Disconnect other applications from circuit. Operate compressor on a dedicated circuit.

- Check valve is stuck open

Remove and clean or replace.

- If the bleeder valve does not open

Replace the bleeder valve.

- Wrong wire gauge in extension cord

Check for the proper gauge and extension cord length.

- Paint spray on internal motor parts

Bring the unit to a service center for service. Do not operate the compressor in the paint spray area.

- Possible defective motor

Bring the unit to a service center for inspection and repair.

Air Compressor

Compressor (cont'd)

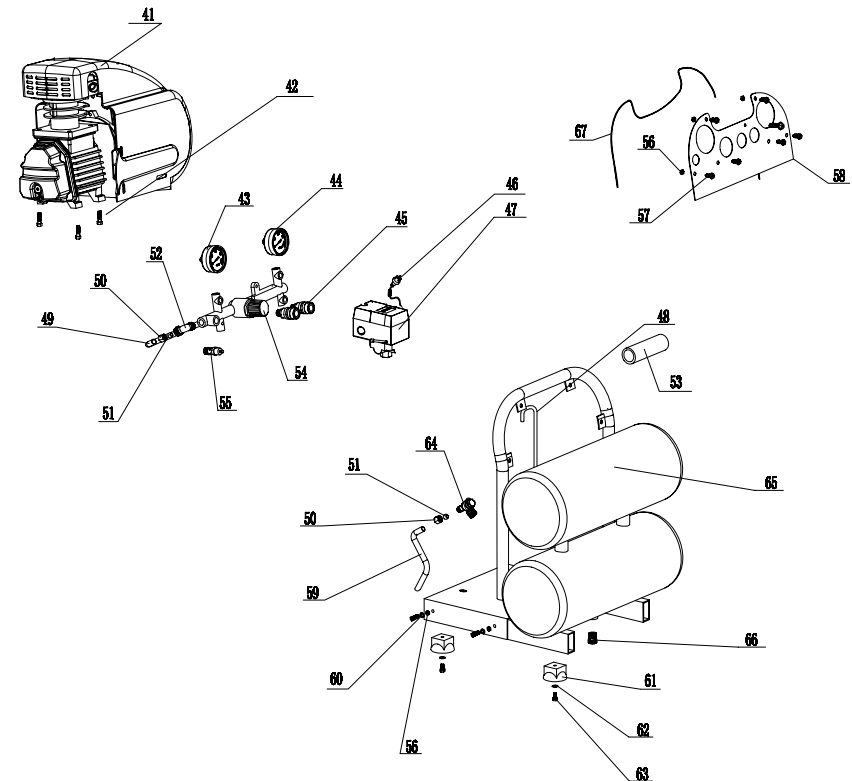
TROUBLE SHOOTING (cont'd)

Glossary of Terms

- CFM: Cubic feet per minute; a unit of measure of air flow.
- PSI: Pounds per square inch; a unit of measure of air pressure.
- Kick-in pressure: A factory set low pressure point that engages the compressor to depressurize the tank to a higher pressure.
- Kick-out pressure: A factory set high pressure point that stops the compressor from increasing the pressure in the tank above a certain level.
- Well-ventilated: A means of providing fresh air in exchange for dangerous exhaust or vapors.
- ASME (American Society of Mechanical Engineers): Indicates that the components are manufactured, tested and inspected for the exclusive use of the air compressor.
- CSA (Canadian Standards Association): Indicates that the products that have this marking have been manufactured, tested and inspected to standards that are set by CSA. These products also confirm to U.L standard 1450.

Owner's Manual

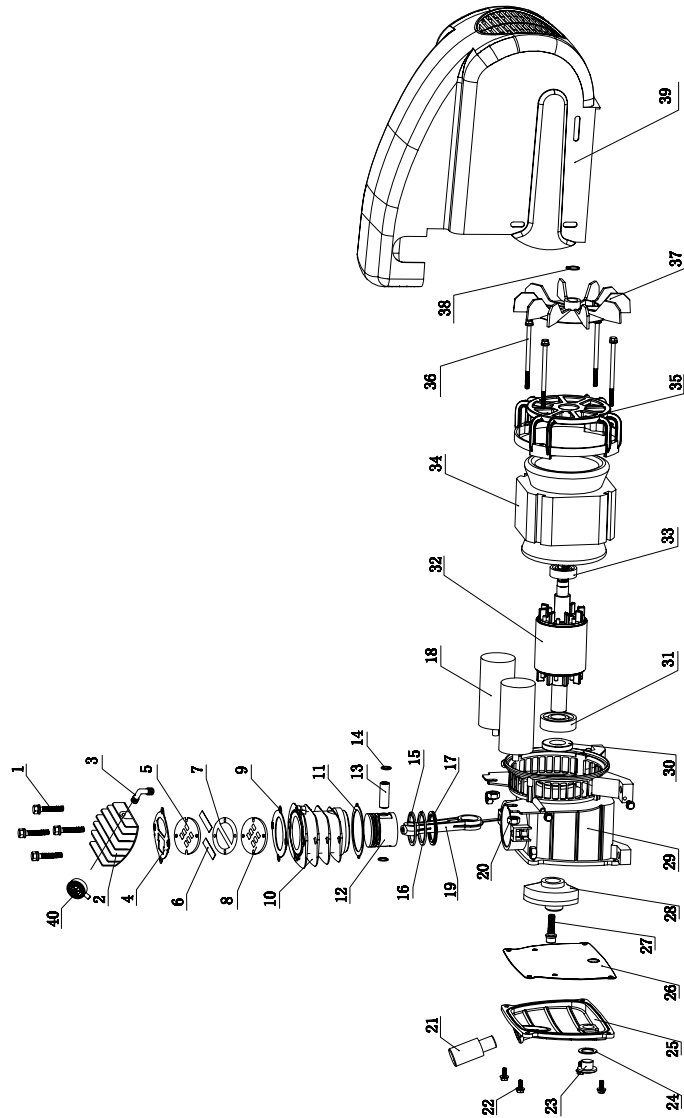
Compressor Parts



Parts No.	Description	Qty	Parts No.	Description	Qty
PCE6050T-41	HANDLEPIECE	1	PCE6050T-55	SAFETY VALVE	1
PCE6050T-42	OUT HEX BOLT	4	PCE6050T-56	NUT	10
PCE6050T-43	PRESSURE GAUGE	3	PCE6050T-57	FLANGE BOLT	7
PCE6050T-44	AXIS PRESSURE GAUGE	2	PCE6050T-58	PANEL	1
PCE6050T-45	QUICK COUPLING	2	PCE6050T-59	DISCHARGE LINE	1
PCE6050T-46	WIRE	1	PCE6050T-60	FLAT WASHER	4
PCE6050T-47	PRESSURE SWITCH	1	PCE6050T-61	FOOT WASHER	4
PCE6050T-48	RELEASE LINE	1	PCE6050T-62	EXTRA BIG WASHER	4
PCE6050T-49	DISCHARGE LINE	1	PCE6050T-63	SCREW	4
PCE6050T-50	PRESSURE CAP NUT	2	PCE6050T-64	CHECK VALVE	1
PCE6050T-51	PION	2	PCE6050T-65	TANK	1
PCE6050T-52	ELBOW	1	PCE6050T-66	WATER VALVE	1
PCE6050T-53	HANDLE COVER	1	PCE6050T-67	RUBBER SPARRING	1
PCE6050T-54	ADJUST VALVE ASSEMBLY	1			

Air Compressor

Compressor Parts



Owner's Manual

Compressor Parts

Parts No.	Description	Qty
PCE6050T-1	HEX BLOT M6X35	2
PCE6050T-2	CYLINDER HEAD	2
PCE6050T-3	90° DISCHARGE EBLLOW	1
PCE6050T-4	CYLINDER HEAD GASKET	1
PCE6050T-5	VALVE PLATE	1
PCE6050T-6	REED VALVE	2
PCE6050T-7	GASKET VALVE PLATE	1
PCE6050T-8	VALVE PLATE	1
PCE6050T-9	GASKET CYLINDER UPPER	1
PCE6050T-10	CYLINDER	1
PCE6050T-11	GASKET CYLINDER LOWER	1
PCE6050T-12	PISTON	1
PCE6050T-13	PISTON PIN	1
PCE6050T-14	BALL BEARING 12	1
PCE6050T-15	PISTON RING	1
PCE6050T-16	PISTON RING	1
PCE6050T-17	OIL RING	1
PCE6050T-18	CAPACITOR	2
PCE6050T-19	CONNECTING ROD	1
PCE6050T-20	BOLT	2
PCE6050T-21	BREATHER	1
PCE6050T-22	IN HEX BOLT M5X12	4
PCE6050T-23	OIL SIGHT	1
PCE6050T-24	OIL SIGHT GASKET	1
PCE6050T-25	CRANK CASE COVER	1
PCE6050T-26	CRANK COVER GASKET	1
PCE6050T-27	IN HEX BOLT M8X22	1
PCE6050T-28	CONNECTING ROD	1
PCE6050T-29	CRANK CASE	1

Air Compressor

Compressor Parts

Parts No.	Description	Qty
PCE6050T-30	LIP SEAL FG	1
PCE6050T-31	BEARING 6204	1
PCE6050T-32	ROTOR	1
PCE6050T-33	BEARING 6202	1
PCE6050T-34	STATOR	1
PCE6050T-35	MOTRO BACK COVER	1
PCE6050T-36	HEX BOLT M5X95	4
PCE6050T-37	FAN LEAF	1
PCE6050T-38	BALL BEARING 14	1
PCE6050T-39	NEW SHROUD	1
PCE6050T-40	AIR FILTER	1

Owner's Manual

LIMITED WARRANTY

Pulsar Products, Inc. warrants to the original purchaser who uses the product in a consumer application (personal, residential or household usage) that all products covered under this warranty are free from defects in material and workmanship for one year from the date of purchase. All products covered by this limited warranty which are used in commercial applications (i.e. income producing) are warranted to be free of defects in material and workmanship for 90 days from the date of original purchase. Products covered under this warranty include air compressors, air tools, service parts, pressure washers and generators. Pulsar Products, Inc. will repair or replace at Pulsar Products, Inc. sole option, products or components which have failed within the warranty period. Service will be scheduled according to the normal work flow and business hours at the service center location, and the availability of replacement parts. All decisions of Pulsar Products, Inc. with regard to this limited warranty shall be final. This warranty gives you specific legal rights, and you may also have other rights which vary from state to state.

RESPONSIBILITY OF ORIGINAL PURCHASER (Initial User):

To process a warranty claim on this product, DO NOT return item to the retailer. The product must be evaluated by an Authorized Warranty Service Center. For the location of the nearest Authorized Warranty Service Center contact the retailer or place of purchase. Retain original cash register sales receipt as proof of purchase for warranty work. Use reasonable care in the operation and maintenance of the product as described in the Owner's Manual(s).

Deliver or ship the product to the nearest Authorized Warranty Service Center. Freight costs, if any, must be paid by the purchaser.

Air compressors with 60 and 80 gallon tanks will be inspected at the site of installation. Contact the nearest Authorized Warranty Service Center that provides on-site service calls for service call arrangements.

If the purchaser does not receive satisfactory results from the Authorized Warranty Service Center, the purchaser should contact Pulsar Products, Inc.

Air Compressor

LIMITED WARRANTY (cont'd)

THIS WARRANTY DOES NOT COVER:

Merchandise sold as reconditioned, used as rental equipment, or floor or display models.

Merchandise that has become damaged or inoperative because of ordinary wear, misuse, cold, heat, rain, excessive humidity, freeze damage, use of improper chemicals, negligence, accident, failure to operate the product in accordance with the instructions provided in the Owner's Manual(s) supplied with the product, improper maintenance, the use of accessories or attachments not recommended by Pulsar Products, Inc., or unauthorized repair or alterations.

Repair and transportation costs of merchandise determined not to be defective.

Costs associated with assembly, required oil, adjustments or other installation and start-up costs.

Expendable parts or accessories supplied with the product which are expected to become inoperative or unusable after a reasonable period of use.

Merchandise sold by Pulsar Products, Inc. which has been manufactured by and identified as the product of another company, such as gasoline engines. The product manufacturer's warranty, if any, will apply.

ANY INCIDENTAL, INDIRECT OR CONSEQUENTIAL LOSS, DAMAGE, OR EXPENSE THAT MAY RESULT FROM ANY DEFECTS, FAILURE OR MALFUNCTION OF THE PRODUCT IS NOT COVERED BY THIS WARRANTY. Some states do not allow the exclusion, so it may not apply to you. IMPLIED WARRANTIES, INCLUDING THOSE OF MERCHANTABILITY OR FITNESS FOR A PARTICULAR PURPOSE, ARE LIMITED TO ONE YEAR FROM THE DATE OF ORIGINAL PURCHASE. Some states do not allow limitations on how long an implied warranty lasts, so the above limitations may not apply.