

PORTA-NAILS®

PNEUMATIC FLOOR STAPLER & NAILER INSTRUCTION AND SAFETY MANUAL

AGRAFEUSE PNEUMATIQUE ET CLOUEUSE À PLANCHER MODE D'EMPLOI ET CONSIGNES DE SÉCURITÉ

GRAPADORA Y CLAVADORA NEUMÁTICA PARA PISOS MANUAL DE INSTRUCCIONES Y SEGURIDAD

3-in-1 Portamatic SLT

16 Gauge • Calibre 16 • Calibre 16



MODEL# 465SLT



⚠ DANGER!

Improper use of this Stapler & Nailer can result in death or serious injury!

This manual contains important information about product safety.

Read and understand this manual before operating the Stapler & Nailer.

Never allow anyone (to handle this tool) who has not reviewed this manual.

⚠ DANGER!

L'utilisation inappropriée de cette cloueuse peut causer une blessure grave et même mortelle!

Ce manuel contient d'importantes consignes de sécurité.

Lire le manuel attentivement avant d'utiliser la cloueuse.

Ne jamais laisser une personne qui n'a pas lu le manuel utiliser l'outil.

⚠ PELIGRO!

¡El uso incorrecto de esta pistola de clavos puede ocasionar lesiones graves o la muerte!

Este manual contiene información importante acerca de la seguridad del producto.

Lea y comprenda este manual antes de usar la pistola de clavos.

No permita nunca el uso de esta herramienta por parte de alguien que no haya leído este manual.

CONTENTS

IMPORTANT SAFETY INFORMATION	3	BEFORE OPERATION	11
DEFINITIONS OF SIGNAL WORDS	3	WORKING ENVIRONMENT	11
7 YEAR LIMITED WARRANTY	3	AIR SUPPLY	11
SAFETY		ADJUSTING AIR PRESSURE	13
IMPORTANT SAFETY INSTRUCTIONS FOR USING STAPLER & NAILERS	4	TESTING THE TOOL	14
IMPORTANT SAFETY INSTRUCTIONS FOR USING 465SLT MANUAL FLOOR STAPLER & NAILER	7	LUBRICATION	14
EMPLOYER'S RESPONSIBILITIES	7	COLD WEATHER CARE	14
OPERATION		LOADING FASTENERS	15
465 SLT SCHEMATIC	8	STAPLE AND NAIL LOADING	15
ESPECIFICATIONS	9	TOOL OPERATION	16
NAIL SELECTION	9	METHODS OF OPERATION	17
APPLICATIONS	10	INSTALLING TONGUE AND GROOVE FLOORING	17
CHANGING FLOORING SHOES	10	MAINTENANCE	
FASTENER APPLICATION	10	MAINTENANCE	18
ACCESORIES	11	SERVICE AND REPAIRS	19
		MAINTENANCE CHART	19

FRANÇAIS

For the instruction manual in French, please visit
www.porta-nails.com

Pour la mode d'emploi en Français, visiter:
www.porta-nails.com
s'il vous plaît

ESPAÑOL

For the instruction manual in Spanish, please visit
www.porta-nails.com

Para el manual de instrucciones en español, por favor
visite www.porta-nails.com

IMPORTANT SAFETY INFORMATION

Read and understand tool labels and all of the operating instructions, safety precautions and warnings in this manual before operating or maintaining this Stapler & Nailer. Failure to follow warnings could result in DEATH or SERIOUS INJURY.

Most accidents that result from the operation and maintenance of Stapler & Nailers are caused by the failure to observe basic safety rules and precautions. An accident can often be avoided by recognizing a potentially hazardous situation before it occurs, and by observing appropriate safety procedures.

Basic safety precautions are outlined in the “SAFETY” section of this manual and in the sections which contain the operation and maintenance instructions.

Hazards that must be avoided to prevent bodily injury or machine damage are identified by DANGERS and WARNINGS on the Stapler & Nailer and in this manual.

Never use this Stapler & Nailer for applications other than those specified in this manual.

DEFINITIONS OF SIGNAL WORDS

DANGER Indicates an imminently hazardous situation, which if not avoided, will result in death or serious injury.

WARNING Indicates a potentially hazardous situation, which if not avoided, could result in death or serious injury.

CAUTION Indicates a potentially hazardous situation, which if not avoided, may result in minor or moderate injury, or may cause machine damage.

NOTE Emphasizes essential information.

7 YEAR LIMITED WARRANTY – U.S. AND CANADA ONLY

Q.E.P. Co., Inc. (“QEP”) warrants to the original retail purchaser that this Porta-Nails brand product is free from defects in materials and workmanship for a period of seven (7) years from the date of purchase. In the unlikely event that a problem occurs, return the product along with proof of purchase to QEP, or a QEP authorized service center freight prepaid and insured, so that a determination of the fault can be made. If the fault is a result of defective materials or workmanship, a no-charge replacement or repair will be made, at our discretion. The product will be returned freight prepaid.

This warranty does not cover conditions or malfunctions resulting from accident, abuse or misuse, normal wear, neglect, or unauthorized attempted repairs. Driver blades, hammer handles, hammer caps, springs, o-rings, seals, pistons and other metal moving components are considered normally wearing parts that require periodical replacement and are not covered under this warranty unless our examination reveals defective material and or workmanship. Use genuine Porta-Nails replacement parts and fasteners for best performance. Purchaser assumes all risk of use, handling, and storage of the product not in strict accordance with the instructions. This warranty is not transferable.

THIS WARRANTY IS IN LIEU OF ALL OTHER EXPRESS WARRANTIES. QEP DISCLAIMS ANY IMPLIED WARRANTY OF MERCHANTABILITY OR FITNESS FOR A PARTICULAR PURPOSE. IN NO EVENT SHALL QEP BE LIABLE FOR ANY INCIDENTAL, SPECIAL, CONSEQUENTIAL OR PUNITIVE DAMAGES.

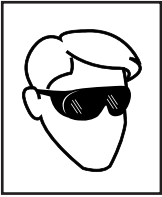
Some states and countries do not allow the exclusion or limitation of incidental or consequential damages, so the above limitations or exclusions may not apply to you. This warranty gives you specific legal rights, and you may also have other rights which vary from state to state and country to country.

SAFETY

IMPORTANT SAFETY INSTRUCTIONS FOR USING STAPLER & NAILERS READ ALL INSTRUCTIONS

⚠ DANGER

1. OPERATORS AND OTHERS IN WORK AREA MUST WEAR SAFETY GLASSES WITH SIDE SHIELDS.



When operating the Stapler & Nailer, always wear eye safety glasses with side shields, and make sure others in the work area wear safety glasses, too.

Safety glasses must conform to the requirements of American National Standards Institute, ANSI Z87.1 and provide protection against flying particles both from the front and side.

The employer must enforce the use of safety glasses by the Stapler & Nailer operator and others in work area.

2. NEVER USE OXYGEN OR OTHER BOTTLED GASES. EXPLOSION MAY OCCUR.



Never use oxygen, combustible gases or any other bottled gases as a power source for the Tool. Use of the above gases is dangerous, as the Tool will explode. Use only clean, dry, regulated compressed air.

⚠ WARNING



3. NEVER POINT TOOL AT YOURSELF OR OTHERS IN WORK AREA.

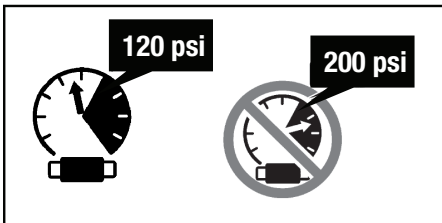
Always assume the Tool contains fasteners. Never point the Tool at yourself, toward yourself or others whether it contains fasteners or not.

If fasteners are mistakenly driven, it can lead to severe injuries.

Never engage in horseplay with the Tool. Respect the tool as a working implement.

4. DO NOT EXCEED 120 psi. (6.2 bar 6.3 kgf/cm²)

Do not exceed maximum recommended air pressure 120 psi (6.2 bar 6.3 kgf/cm²). Never connect the Tool to pressure which potentially exceeds 200 psi (13.7 bar 14 kgf/cm²) as the Tool can burst.



SAFETY (continued)

WARNING

7. ALWAYS WEAR EAR AND HEAD PROTECTION.

Always wear ear protection to protect your ears from loud noise. Always wear head protection conforming to ANSI Z89.1-1986 to protect your head from flying objects.

8. STORE TOOL PROPERLY.

When not in use, the Tool should be stored in a dry place. Keep out of reach of children. Lock the storage area.

9. KEEP WORK AREA CLEAN.

Cluttered areas invite injuries. Clear all work areas of unnecessary tools, debris, furniture, etc.

10. NEVER USE IN PRESENCE OF FLAMMABLE LIQUIDS OR GASES.

The Tool produces sparks during operation. Never use the Tool in sites containing lacquer, paint, benzene, thinner, gasoline, gases, adhesive agents, and other materials which are combustible or explosive.

11. KEEP VISITORS AWAY.

Do not let visitors handle the Tool. All visitors should be kept away from work area.

12. DRESS PROPERLY.

Do not wear loose clothing or jewelry as they can be caught in moving parts. Rubber gloves and nonskid footwear are recommended when working indoors. Wear protective hair covering to contain long hair.

13. NEVER USE NON RELIEVING COUPLER ON TOOL.

If a non relieving coupler is used on the Tool, the Tool can remain charged with air after disconnecting and thus will be able to drive a fastener even after disconnecting. The Tool and air hose must have a hose coupling such that all pressure is removed from the Tool when the coupling joint is disconnected.

14. KEEP ALL SCREWS AND COVERS TIGHTLY IN PLACE.

Keep all screws and covers tightly mounted. Check their condition periodically. Never use the Tool if parts are missing or damaged.

15. DO NOT LOAD FASTENERS WHILE RAM CAP IS CONTACTED

When loading fasteners into the Tool or when connecting the air hose,

- 1) Do not contact the ram cap.
- 2) Keep the Tool pointed downward.

16. KEEP FACE, HANDS AND FEET AWAY FROM DISCHARGE AREA DURING USE.

Never place your face, hands or feet closer than 8 inches (200 mm) from discharge area. A serious injury can result if the fasteners are deflected by the work piece, or are driven away from the point of entry.

SAFETY (continued)

WARNING

17. PLACE TOOL PROPERLY ON WORK PIECE.

Do not drive fasteners on top of other fasteners or with the Tool at too steep of an angle; the fasteners can ricochet and hurt someone.

18. BE CAREFUL OF DOUBLE FIRE DUE TO RECOIL.

Keep face, hands and body away from the discharge area of the tool. The tool may bounce from the recoil of driving a fastener and an unwanted second fastener may be driven possibly causing injury.

19. DO NOT DRIVE FASTENERS INTO THIN BOARDS OR NEAR CORNERS AND EDGES OF WORK PIECE.

The fasteners can be driven through or away from the work piece and hit someone.

20. NEVER DRIVE FASTENERS FROM BOTH SIDES OF A WALL AT THE SAME TIME.

The fasteners can be driven into and through the wall and hit a person on the opposite side.

21. CHECK FOR LIVE WIRES.

Avoid the risk of severe electrical shock by checking for live electrical wires that may be hidden by walls, floors or ceilings. Turn off the breaker switch to ensure there are no live wires.

22. NEVER CARRY TOOL BY HOSE.

23. DO NOT OVERREACH.

Keep proper footing and balance at all times.

24. NEVER USE TOOL WHICH IS DEFECTIVE OR OPERATING ABNORMALLY.

If the Tool appears to be operating unusually, making strange noises, or otherwise appears defective, stop using it immediately and arrange for repairs by a Porta-Nails authorized service center.

25. DISCONNECT AIR HOSE FROM TOOL WHEN:

- 1) Doing maintenance and inspection;
- 2) Loading fasteners;
- 3) Clearing a jam;
- 4) It is not in use;
- 5) Leaving work area;
- 6) Moving it to another location; and
- 7) Handing it to another person.

Never attempt to clear a jam or repair the Tool unless you have disconnected air hose from the Tool and removed all remaining fasteners from the Tool. The Tool should never be left unattended since people who are not familiar with the Tool might handle it and injure themselves.

26. STAY ALERT.

Watch what you are doing. Use common sense. Do not operate the Tool when you are tired. The Tool should never be used by you if you are under the influence of alcohol, drugs or medication that makes you drowsy.

SAFETY (continued)

! WARNING

27. HANDLE TOOL CORRECTLY.

Operate the Tool according to the Manual. Never allow the Tool to be operated by children, individuals unfamiliar with its operation or unauthorized personnel.

28. NEVER USE TOOL FOR APPLICATIONS OTHER THAN THOSE SPECIFIED IN THIS MANUAL.

29. HANDLE TOOL CAREFULLY.

Because of high air pressure in the Tool, cracks in the surface are dangerous. To avoid this, do not drop the Tool or strike the Tool against hard surfaces; and do not scratch or engrave signs on the Tool. Handle the Tool carefully.

30. MAINTAIN TOOL WITH CARE.

Keep the Tool clean and lubricated for better and safer performance.

31. USE ONLY PARTS, ACCESSORIES OR FASTENERS SUPPLIED OR RECOMMENDED BY Porta-Nails.

Unauthorized parts, accessories, or fasteners may void your warranty and can lead to malfunction and resulting injuries. Only service personnel trained by Porta-Nails, distributor or employer shall repair the Tool.

32. NEVER MODIFY OR ALTER A TOOL.

Doing so may cause it to malfunction and personal injuries may result.

IMPORTANT SAFETY INSTRUCTIONS FOR USING 465SLT MANUAL FLOOR STAPLER & NAILER

! WARNING

1. NEVER use a hammer with a loose head or splintered handle.
2. Do not tie or tape

EMPLOYER'S RESPONSIBILITIES

1. Ensure that this **MANUAL** is available to operators and personnel performing maintenance.
2. Ensure that Tools are used only when operators and others in work area are wearing **EYE PROTECTION**.
3. Enforce the use of **EYE PROTECTION** by operators and others in work area.
4. Keep Tools in safe working order.
5. Maintain Tools properly.
6. Ensure that Tools which require repair are not further used before repair.

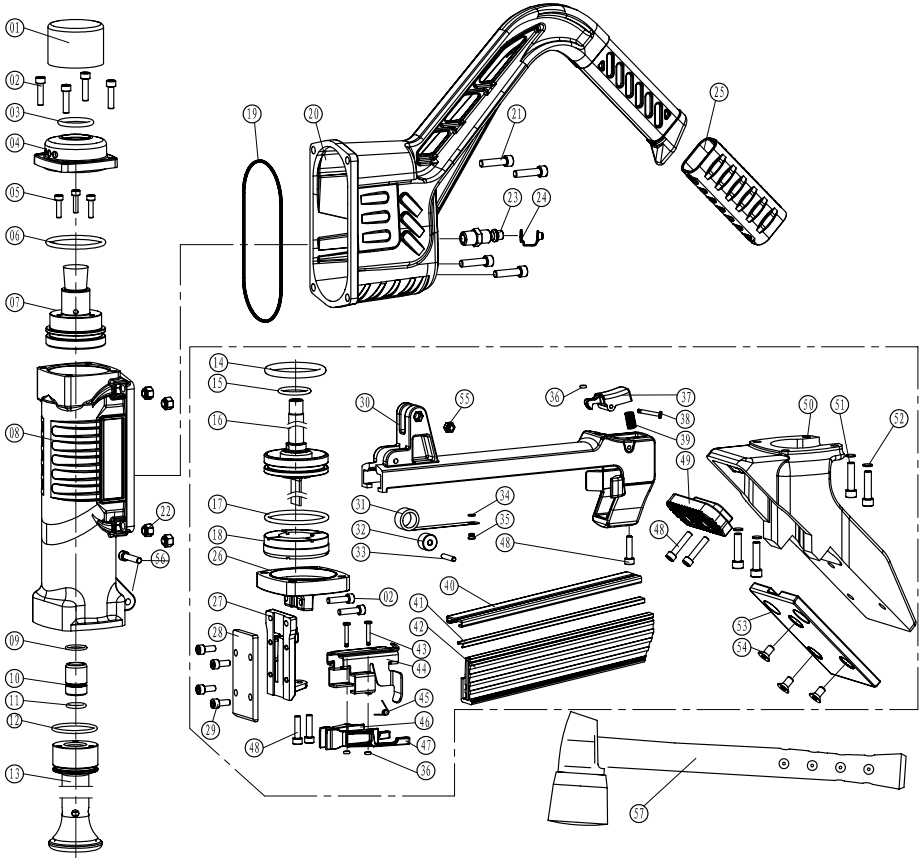
**SAVE THIS MANUAL AND
KEEP IT AVAILABLE FOR OTHERS!**

OPERATION

Note:

The information contained in this manual is designed to assist you in the safe operation of the Stapler & Nailer. Some illustrations in this manual may show details or attachments that differ from those on your Stapler & Nailer.

465SLT SCHEMATIC



NO.	Description	Qty	NO.	Description	Qty	NO.	Description	Qty	NO.	Description	Qty
1	Whack Cap	1	16	Piston Driver	1	31	Spring II	1	46	Right Pusher	1
2	Bolt M5*20	6	17	O-ring 50*3.55	1	32	Spring Core	1	47	Left Pusher	1
3	O-ring 25*3.55	1	18	Bumper	1	33	Roll Pin A4*20	1	48	Bolt M5*16	5
4	Air Deflector	1	19	Sealing Washer	1	34	E-ring d=3	1	49	Protective Pad	1
5	Bolt M4*16	3	20	Handle	1	35	Spring Pin	1	50	Base	1
6	O-ring 46.2*3.55	1	21	Bolt M6*25	4	36	O-ring 1.7*2	3	51	Spring Washer 6	4
7	Piston Seat	1	22	Nylock Nut M6	4	37	Latch	1	52	Bolt M6*40	4
8	Gun Body	1	23	Air Inlet Plug	1	38	Retainer Ring	1	53	Spacer	1
9	O-ring 15.6*1.8	1	24	Protecting Bushing	1	39	Compressed Spring	1	54	Bolt M6*12	3
10	Sealing Screw	1	25	Handle Sleeve	1	40	Pusher Seat Shelf	1	55	Nylock Nut M5	1
11	O-ring 12.8*1.8	1	26	Cylinder Seat	1	41	Driver Nail Bar	1	56	Bolt M5*25	1
12	O-ring 34.5*2.65	1	27	Nail Head	1	42	Magazine	1	57	Hammer	1
13	Piston Sleeve	1	28	Driver Guide	1	43	Pin	2			
14	O-ring 32*4.5	1	29	Bolt M5*10	4	44	Pusher Seat	1			
15	O-ring 12.8*2.5	1	30	Magazine Mantle	1	45	Pusher Spring	2			

SPECIFICATIONS

Model	465SLT
Operation Pressure	70-120 PSI
Actuation	Hammer Actuate
Dimensions (Length x Height x Width)	19.5" x 3.35" x 20.35" (495.3 mm x 85 mm x 517 mm)
Weight	10.75 lbs. (3.4 kg)
Nail Capacity	100 Cleat Nails ("T" or "L") 120 Staples
Air Consumption	.058 ft ³ /cycle @ 80psi (1.64 ltr/cycle @ 5.5 bar) (1.64 ltr/cycle @ 5.6 kgf/cm ²)
Air Inlet	3/8" NPT Thread

NAIL SELECTION

Only nails and cleats shown in the table below can be driven with this Stapler & Nailer.

WARNING

Be sure to use only the genuine PORTA-NAILS staples and nails for the 465SLT. The use of any other nails can result in tool malfunction and/or nail breakdown, leading to serious injuries.

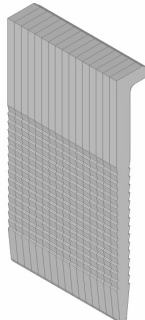
SUITABLE FASTENERS



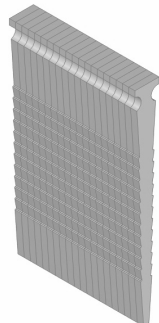
- 47271- 1-1/2" x 0.5" Staples, 15.5 Ga
- 47261- 2" x 0.5" Staples, 15.5 Ga



- 4704- (L) Nail, 1-1/2", 16 Ga
- 4703- (L) Nail, 1-3/4", 16 Ga
- 4702- (L) Nail, 2", 16 Ga
- 47080- Stainless Steel (L) Nail, 2", 16 Ga



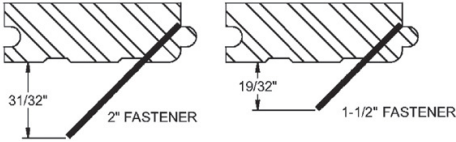
- 42640- (T) Nail, 1-1/2", 16 Ga
- 42629- (T) Nail, 2", 16 Ga
- 42660- Stainless Steel (T) Nail, 2", 16 Ga



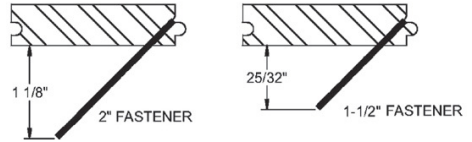
APPLICATIONS

For installation of tongue and groove solid wood and engineered hardwood flooring.

3/4" FLOORING

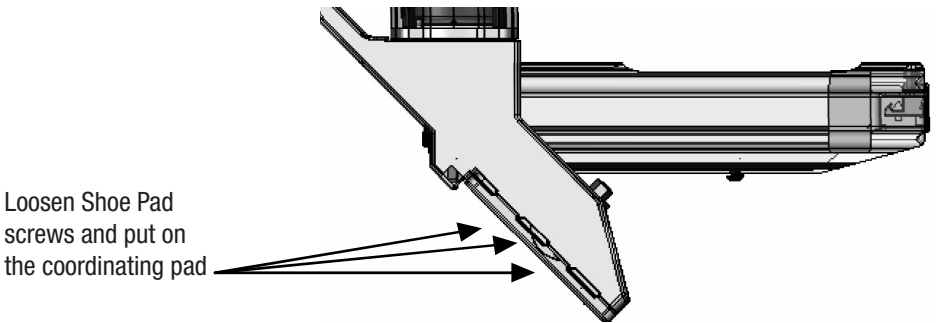


1/2" FLOORING



The 465SLT Pneumatic Floor Stapler & Nailer, with the standard shoe, drives 1-1/2" and the 2" Staples, T or L nails into the tongue and groove flooring at a 45 degree angle. The orientation of the fastener is as depicted above. **To convert from 3/4" flooring to 1/2" flooring simply (loosen and remove shoe pad screws x3) and install 1/2" base pad**

CHANGING FLOORING SHOES



FASTENER APPLICATION CHART

FASTENER	APPLICATION	T&G FLOORING THICKNESS
2" Staple / T-Nail / L-Nail	<ul style="list-style-type: none"> • Angle nail onto 5/8" - 3/4" underlayment over joist construction • Surface (face) nail onto 5/8" - 3/4" underlayment over joist construction 	<ul style="list-style-type: none"> • 3/8", 9/16", 1/2", 5/8", 3/4", 33/32" • 3/8", 9/16", 1/2", 5/8", 3/4", 33/32"
1-1/2" Staple / T-Nail / L-Nail	<ul style="list-style-type: none"> • Angle nail onto 5/8" - 3/4" underlayment over concrete slab or hydronic heating systems • Surface (face) nail onto 5/8" - 3/4" underlayment over concrete slab or hydronic heating systems 	<ul style="list-style-type: none"> • 3/4", 33/32" • 33/32"

ACCESSORIES

WARNING

Accessories other than those shown below could lead to malfunctioning which results in injuries.

STANDARD ACCESSORIES

1. Carrying Case
2. 3/4" pre-attached Base Plate
3. 1/2" Interchangeable Base Plate
4. Non Marring Mallet
5. Wrenches
6. Oil

OPTIONAL ACCESSORIES

1. Nail Set for Cleat Nails (Item No. 42620)
2. Floor tightening and straightening Jack (Item No. 47100)
3. Flooring Shoe (Item No. 47395)

Note:

Accessories are subject to change without any obligation on the part of PORTA-NAILS.

BEFORE OPERATION

Make sure to read over section titled "SAFETY" before operation (pages 4 - 7).

WORKING ENVIRONMENT

WARNING

- No flammable gas, liquid or other flammable objects at worksite,
- Clear the area of children or unauthorized personnel.

AIR SUPPLY



- NEVER USE OXYGEN OR OTHER BOTTLED GASES. EXPLOSION MAY OCCUR.

WARNING

- Never connect Tool to pressure which potentially exceeds 200 psi (13.7 bar 14 kgf/cm2).
- Never use non relieving coupler on Tool.

AIR SUPPLY

1. Power Source

- Use only clean, dry, regulated compressed air as a power source for this Tool
- Air compressors used to supply compressed air to this Tool must comply with the requirements of the latest version of ANSI Standard B 19.3 “Safety Standard For Compressors For Process Industries.”
- Moisture or oil in the air compressor may accelerate wear and corrosion in the Tool. Drain daily.
- Air volume is as important as air pressure. The air volume supplied to the tool may be inadequate because of undersized fittings and hoses or from the effects of dirt and water in the system. Restricted air flow will prevent the tool from receiving an adequate volume of air, even though the pressure reading is high. The results will be slow operation, jamming, miss-feeds or reduced driving power. Before evaluating tool problems for these symptoms, trace the air supply from the tool to the supply source for restrictive connectors, swivel fittings, low points containing water and anything else that would prevent full volume flow of air to the tool.

2. Filter-Regulator-Lubricator

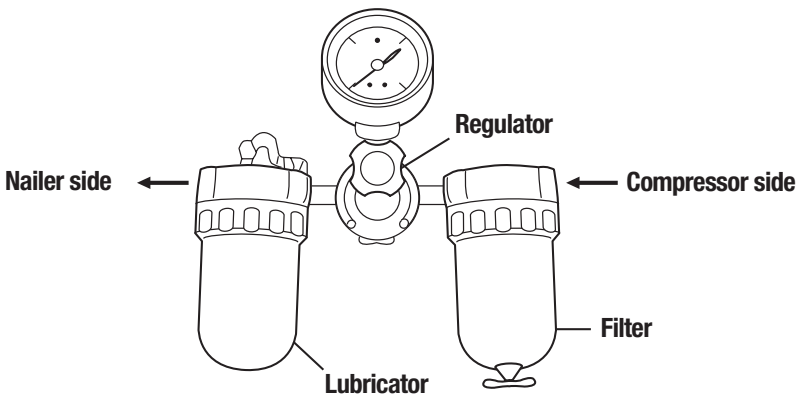
- A pressure regulator with an operating pressure of 0-125 psi (0-8.6 bar 0-8.8 kgf/cm²) is required to control the operating pressure for safe operation of this Tool. Do not connect this Tool to air pressure which can potentially exceed 200 psi as Tool may fracture or burst, possibly causing injury.
- Filter-Regulator-Lubricator units supply an optimum condition for the Tool and extend the Tool life.

These units should always be used

Filter- The filter removes moisture and dirt mixed in compressed air. Drain daily unless fitted with an automatic drain. Keep the filter clean by regular maintenance.

Regulator- The regulator controls the operating pressure for safe operation of the Tool. Inspect the regulator before operation to be sure it operates properly.

Lubricator- The lubricator supplies an oil mist to the Tool. Inspect the lubricator before operation to be sure the supply of lubricant is adequate. Use Porta-Nails pneumatic tool lubricant.



AIR SUPPLY

3. Air Hose

Air hoses should have a minimum of 150 psi (10.4 bar 10.6 kgf/cm²) working pressure rating or 150 percent of the maximum pressure that could be produced in the air system. The supply hose should contain a fitting that will provide “quick disconnecting” from the male plug on the Tool.

4. Hose Coupling

Install a male plug on the Tool which is free flowing and which will release air pressure from the Tool when disconnected from the supply source. This Tool uses a 3/8” NPT. male plug. The inside diameter should be .275” (7mm) or larger. The fitting must be capable of discharging Tool air pressure when disconnected from the air supply.

5. Air Consumption

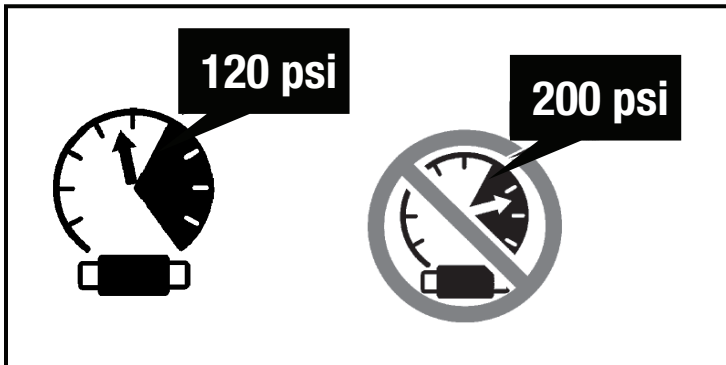
The Tool requires 4.2 cfm of free air to operate at the rate of 60 fasteners per minute @ 80 psi. Take the actual rate at which the Tool will be run to determine the amount of air required. For instance, if your fastener usage averages 30 fasteners per minute, you need 50% of the Tools cfm.

6. Operating Pressure

70 to 90 psi. Select the operating pressure within this range for best fastener performance. DO NOT EXCEED THIS RECOMMENDED OPERATING PRESSURE.

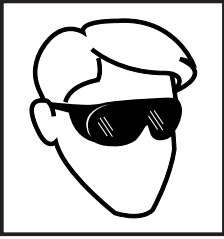
ADJUSTING AIR PRESSURE

- **DO NOT EXCEED 120 psi. (6.2 bar 6.3 kgf/cm²)**



Do not exceed maximum recommended air pressure 120 psi (6.2 bar 6.3 kgf/cm²). Never connect the Tool to pressure which potentially exceeds 200 psi (13.7 bar 14 kgf/cm²) as the Tool can burst.

TESTING THE TOOL



DANGER

- Operators and others in work area **MUST** wear safety glasses with side shields which conforms to ANSI Z87.1 specifications.

LUBRICATION

Frequent, but not excessive, lubrication is required for best performance. Oil added through the air line connection will lubricate the internal parts. Use Pneumatic Tool Lubricant, Mobil Velocite #10, or equivalent. Do not use detergent oil or additives as these lubricants will cause accelerated wear to the seals and Piston Cushion in the Tool, resulting in poor tool performance and frequent Tool maintenance. If no airline lubricator is used, add oil during use into the air fitting on the Tool once or twice a day. Only a few drops of oil at a time are necessary. Too much oil will only collect inside the Tool and will be noticeable in the exhaust cycle.

COLD WEATHER CARE

For cold weather operation, near and below freezing, the moisture in the air line may freeze and prevent Tool operation. We recommend the use of WINTER FORMULA air tool lubricant (NEW-MATIC Winter Formula or equivalent) or permanent anti freeze (ethylene glycol) as a cold weather lubricant.

CAUTION

Do not store tools in a cold weather environment to prevent frost or ice formation on the tools operating valves and mechanisms that could cause tool failure.

NOTE: Some commercial air line drying liquids are harmful to O-rings and seals – do not use these low temperature air dryers without checking compatibility.

CAUTION

Do not operate the Tool at high pressure without fasteners

LOADING FASTENERS

⚠ WARNING

- When loading fasteners into the Tool,
 - 1.) Do not contact the ram cap.
 - 2.) Keep the Tool pointed downward.

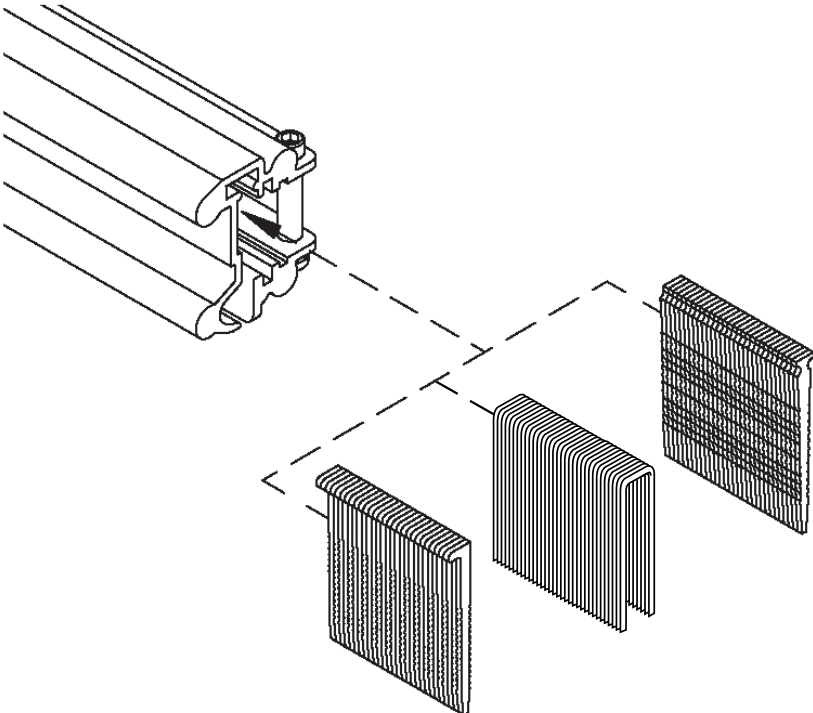
TO PREVENT ACCIDENTAL INJURIES:

- Never place a hand or any other part of the body in Tool discharge area of Tool while the air supply is connected.
- Never point the Tool at anyone else.
- Never engage in horseplay.
- Always handle the Tool with care.
- Do not depress the trip mechanism while loading the Tool.

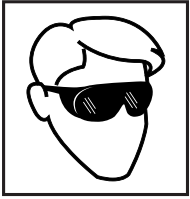
STAPLE AND NAIL LOADING

(Porta-Nails Model 465SLT Pneumatic Floor Stapler & Nailer)

Insert 15.5 gauge Staples, "L" or "T" 16 gauge Cleat Nails in the end of the magazine as shown. Pull pusher assembly back to engage pusher to strip of Nails. The Tool is now ready to operate.



TOOL OPERATION



! DANGER

- Operators and others in work area **MUST** wear safety glasses with side shields which conforms to ANSI Z87.1 specifications.



! WARNING

- **NEVER** point tool at yourself or others in work area.
- Never place your face, hands or feet closer than 8 inches (200 mm) from discharge area when using. The Tool may bounce from the recoil of driving a fastener and an unwanted second fastener may be driven possibly causing injury.
- Do not drive fasteners on top of other fasteners or with Tool at too steep of an angle; fasteners can ricochet and hurt someone.
- Do not strike the ram/actuator or any part of the Tool with the metal portion of the mallet. Use the rubber capped end only to prevent possible injury and/or damage to the Tool.
- Do not drive fasteners into thin boards or near corners and edges of work piece. Fasteners can be driven through or away from work piece and hit someone.
- Do not overdrive fasteners. NWFA (National Wood Flooring Association) states that one reason for split tongues is overdriving.
- Never use Tool which is defective or operating abnormally.
- Do not use Tool as a hammer.
- Disconnect air hose from Tool when:
 - 1.) It is not in use;
 - 2.) Leaving work area;
 - 3.) Moving it to another location; and
 - 4.) Handing it to another person.
- Wear safety glasses and safety shoes for protection against foreign objects.
- Never use a Hammer with a loose head or splintered handle.
- Air supply hoses should have a minimum working pressure rating of 150 psi or 150 percent of the maximum pressure produced in the power source, whichever is higher.
- Check all hoses before connecting to ensure that they are free from dirt, grit, or particles that could alter the performance of the tool.
- An airline Filter and In-Line Air Regulator adjustable to 125 psi max are required.
- **NEVER** use a defective tool. Replace worn or damaged parts immediately. Be sure that all screws and seals are securely tightened at all times.

METHODS OF OPERATION

After connection with power source is made, check to be sure that the airline Regulator pressure is 70-90 psi. Note: Some flooring wood species /materials may require a higher pressure in order to countersink the fastener. Harder more dense Flooring wood species requires more pressure than typical Oak or Maple flooring. Face Nailing requires approximately 5 psi or more than Angle Nailing. Ensure that Tool is in proper working order and that there is no leaking of air. If there is an air leak, Disconnect Immediately! Arrange for repairs by an authorized service center. After being sure Tool is operable, place Tool in position to be used. Always place the Tool in proper position against the flooring to be fastened before striking the ram. To operate Tool, Tap the ram cap with a minimal stroke from the hammer. If on the first initial operation a fastener does not eject into the flooring, repeat hammer blow. This will ensure that the driver blade/Piston is properly reset to allow the driver blade/piston to be in the correct position to drive the fastener.

DO NOT OVERPOWER THE TOOL- A 90lb static force will operate the Tool. This is easily achieved by a tap of the Hammer. If the Flooring is warped or bowed, the ram can be hit firmly to tighten the flooring. Try to avoid this constant wear, as abusive blows by the hammer could damage tool and / or internal parts.

DO NOT HIT THE TOOL HARD- This Tool is pneumatically powered and requires only actuation by tapping the ram head. The 465SLT Pneumatic Floor Stapler & Nailer is user-friendly and following these simple instructions, will insure a very high quality hardwood flooring installation.

If the fastener is not properly seated, increase pressure incrementally until fastener is seated.

DO NOT EXCEED 120 PSI!

WARNING

- **Keep hands and body away from the discharge area. The Tool may bounce from recoil of driving a fastener and unwanted subsequent fastener may be driven, possibly causing injury.**
- **Some types of loaded fasteners can spark out of the muzzle during a driving operation. Exercise caution!**

INSTALLING TONGUE AND GROOVE FLOORING

Caution regarding use of this Tool to install pre-finished flooring

This Tool was designed for use in installing unfinished hardwood flooring. It can be used to install pre-finished flooring when used with the pre-finish flooring accessory shoe; however, caution must be used to ensure that the finish is not damaged by the Tool. In all flooring applications, it is recommended that the Tool be tested on a sample section to be certain that the Tool and technique of use do not leave marks on the finish. This procedure should be followed before each job due to variations in flooring and Tool condition. After squaring the floor and allowing for expansion as recommended by the Wood Flooring Industry (NWFA and MFMA), install felt vapor barrier and use chalk line to identify location of subfloor nails prior to racking wood to be installed. This will help prevent hitting subfloor nails which can cause damage to the driver blade and jamming. Place the grooved edge of the first row of flooring towards the wall on the side of the room from which you are starting. Face nail first four (4) rows of flooring. Place the groove of the fifth row of flooring over the tongue of the fourth row of flooring and tighten using the hammer. Position the nailer on the flooring; impact the ram head of the Tool with the mallet to actuate the nailer. Slide the Tool along the tongue of the flooring (8"—10") to the location at which you desire to place the next fastener. Continue until you have completely fastened all but the last five (5) rows of flooring. Install and face nail in place the remaining five (5) rows of flooring.

These steps are provided as a simple guideline for proper installation technique. Should you encounter a situation not covered here or have additional questions regarding the 465SLT Pneumatic Floor Stapler & Nailer and its use please contact us at 866-435-8665. Should you require detailed information regarding wood flooring installation we suggest you contact:

National Wood Flooring Association- 800-422-4556

Visit their web site <http://www.woodfloors.org>.

or

Maple Flooring Manufacturers Association, Inc.- 847-480-9138

Visit their web site <http://www.maplefloor.org>.

MAINTENANCE

Note:

The information contained in this Manual is designed to assist you in the safe maintenance of the Tool. Some illustrations in this Manual may show details or attachments that differ from those on your own Tool.

MAINTENANCE AND INSPECTION - Read section titled "SAFETY" (page 4-7)

WARNING

• **Disconnect air hose and remove all fasteners from Tool when:**

- 1.) doing maintenance and inspection; and
- 2.) clearing a jam.

1. Resetting the Piston / Driver Blade Disconnect from the Air source.

- Unload all of the fasteners from the magazine.
- Make sure there are no fasteners in the guide chamber.
- Reconnect the air source to the Tool.
- Load fasteners and proceed with the operation of the Tool.

2. Inspecting the Magazine

- DISCONNECT THE AIR HOSE
- Clean the magazine. Remove dust or wooden debris which may have accumulated in the magazine.

3. Storing

- When not in use for an extended period, apply a thin coat of the lubricant to the steel parts to avoid rust.
- Do not store the Tool in a cold weather environment. When not in use, the Tool should be stored in a warm and dry place. **Keep out of reach of children.**

MODIFICATIONS:

Porta-Nails Tools are constantly being improved and modified to incorporate the latest technological advancements. Accordingly, some parts (i.e.: part numbers and/or design) may be changed without prior notice.

CAUTION

- **Repair, modification and inspection of Porta-Nails Power Tools must be carried out by a Porta-Nails authorized service center. This Parts List will be helpful if presented with the tool to the Porta-Nails authorized service center when requesting repair or other maintenance. In the operation and maintenance of power tools, the safety regulations and standards prescribed in each country must be observed.**

SERVICE AND REPAIRS

- Only service personnel trained by Porta-Nails, distributor or employer shall repair the Tool.
- Use only Porta-Nails parts supplied or recommended by Porta-Nails for repair.

All quality Tools will eventually require servicing or replacement of parts because of wear from normal use. In order to achieve the optimal performance of the 465SLT Pneumatic Floor Stapler & Nailer preventative maintenance is recommended.

NOTE:

Specifications are subject to change without any obligation on the part of Porta-Nails.

MAINTENANCE CHART

ACTION	WHY	HOW
Drain air line filter Daily.	Prevent accumulation of moisture and dirt.	Open manual Petcock.
Keep lubricator filled.	Keep the tool lubricated.	Fill with pneumatic tool lubricant.
Clean filter element then blow air through Filter in direction opposite to normal flow.	Prevent clogging of filter with dirt.	Follow manufacturer's Instructions.
Clean magazine and feeder mechanism.	Prevent a jam.	Blow clean daily.
Drain air compressor.	Keep the Tool operating properly.	Open petcock on air compressor tank.

PORTA-NAILS[®]

To view additional Quality Tools available from Porta Nails
please visit our website www.porta-nails.com

Q.E.P. Co., Inc.
1001 Broken Sound Parkway, NW, Suite A
Boca Raton, FL 33487
1-866-435-8665

