



SharkBite[®] Potable and Fire Suppression PEX Pipe

DESCRIPTION

SharkBite[®] PEX Pipe is a silane cross-linked polyethylene pipe for use in residential or commercial applications.

Applications:

- Potable Water – Red, White, and Blue PEX
- Residential Fire Suppression - Red, White, and Blue PEX

FEATURES AND BENEFITS

Flexibility

- Reduces the number of fittings needed to complete jobs; saving on overall cost and reducing leak points

Chlorine & UV Resistance

- Highest-rated chlorine resistance
- One month UV resistance

Freeze Resistance

- PEX pipe is freeze-resistant and can expand slightly if frozen; PEX will contract back to its original form when thawed. PEX is not freeze-proof, PEX should be insulated to prevent freezing

Insertion Depth Markings

- Pre-printed insertion depth markings for SharkBite Universal Push-to-Connect fittings

Made in the USA

- Manufactured and tested in Cullman, AL

Warranty

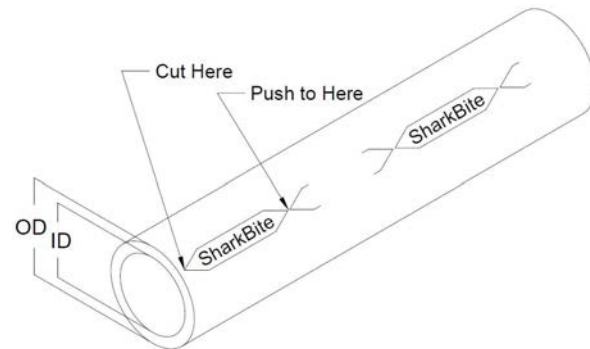
- 25-year warranty



DIMENSIONAL DATA

PEX Size (CTS)	OD (in)	Wall Thickness (in)	Median ID (in)	Weight Per Ft. (lb)	Volume per Ft. (gal)
1/4"	0.375 ± 0.003	0.062 + 0.010	0.241	0.03	0.003
3/8"	0.500 ± 0.003	0.070 + 0.010	0.35	0.044	0.018
1/2"	0.625 ± 0.004	0.070 + 0.010	0.475	0.054	0.025
3/4"	0.875 ± 0.004	0.097 + 0.010	0.671	0.103	0.035
1"	1.125 ± 0.005	0.125 + 0.013	0.862	0.170	0.045
1 – 1/4"	1.375 ± 0.005	0.153 + 0.015	1.054	0.274	0.055
1 – 1/2"	1.625 ± 0.006	0.181 + 0.019	1.244	0.387	0.065
2"	2.125 ± 0.006	0.236 + 0.024	1.629	0.66	0.085

Note: Dimensions are in English units. Tolerances referenced from ASTM F876.





SharkBite® Potable and Fire Suppression PEX Pipe

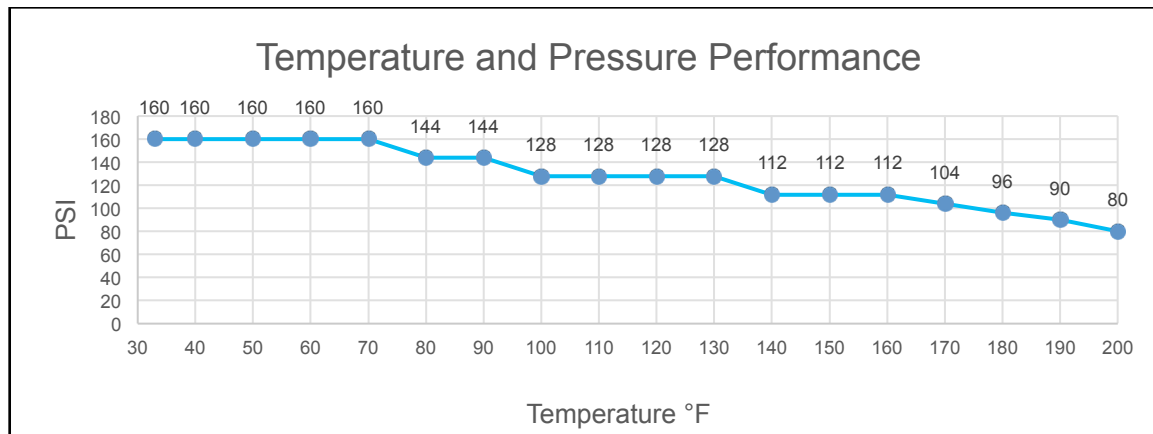
PERFORMANCE DATA

PEX Material Designation Code:

- 5106 PEX rating
 - (5) Chlorine Resistance - Rated to continuously recirculate hot water at 140° F
 - (1) One Month UV Resistance
 - (06) Stress tested to 630 psi at 73° F

Temperature Performance:

- Minimum working temperature 33°F (0.5°C) at 160 psi
- Maximum working temperature 200°F (93.3°C) at 80 psi
- Maximum working pressure is 160 psi at 33° F (0.5°C) – 70° F (21.1°C)



Material:

- PEX is approved for potable water plumbing systems

Burial:

- PEX pipe is approved for water service lines and burial applications including being buried under concrete

Compatible fittings:

- PEX pipe approved for use with push-to-connect (ASSE 1061), plastic barb (ASTM F2159), and brass barb (ASTM F1807) fittings

Fire Suppression Systems:

- 3/4" and 1" PEX pipe is approved for residential multipurpose (fire sprinkler/home plumbing systems) fire sprinkler systems

Plenum Applications:

- PEX pipe is approved for installation in a supply or return plenum (HVAC air-distribution box)



SharkBite[®] Potable and Fire Suppression PEX Pipe

CERTIFICATIONS

SharkBite PEX pipe is approved for use in all national and local codes in the US and Canada. Certified and listed to the following standards:

- **ANSI/NSF 61** – Drinking Water System Components - Health Effects
- **ANSI/NSF 14** – Plastics Piping System Components and Related Materials
- **ASTM F876** – Standard for Cross-linked Polyethylene (PEX) Tubing
 - **ASTM F2023** – Standard Test Method for Evaluating the Oxidative Resistance of Crosslinked Polyethylene (PEX) Pipe, Tubing and Systems to Hot Chlorinated Water
 - **ASTM F2657** – Standard Test Method for Outdoor Weathering Exposure of Crosslinked Polyethylene (PEX) Tubing
- **ASTM F877** – Standard for Cross-linked Polyethylene (PEX) Hot- and Cold-Water Distribution Systems
- **CSA B137.5** – Thermoplastic Pressure Piping Compendium
- **UL 1821** – Thermoplastic Sprinkler Pipe and Fittings for Fire Protection Service (3/4" and 1")
- **ASTM E84** – Standard Test Method for Surface Burning Characteristics of Building Materials
- **CAN/ULC S102.2** – Surface Burning Characteristics of Flooring, Floor Coverings, and Miscellaneous Materials and Assemblies
- **AWWA C904** – Cross-linked Polyethylene (PEX) Pressure Pipe, 1/2 in. (13mm) through 3 in. (76 mm), for Water Service (3/4" and larger)

SPECIFICATION

- System shall be plumbed using SharkBite Pipe cross-linked polyethylene pipe and all joints shall be made using SharkBite push-to-connect fittings, brass SharkBite barb fittings or polymer SharkBite barb fittings used with copper crimp rings or stainless steel clamps. Pipe and fittings shall be installed as outlined in the SharkBite PEX installation manual

Job Name:	
Job Location:	
Engineer	
Contractor:	
Tag:	