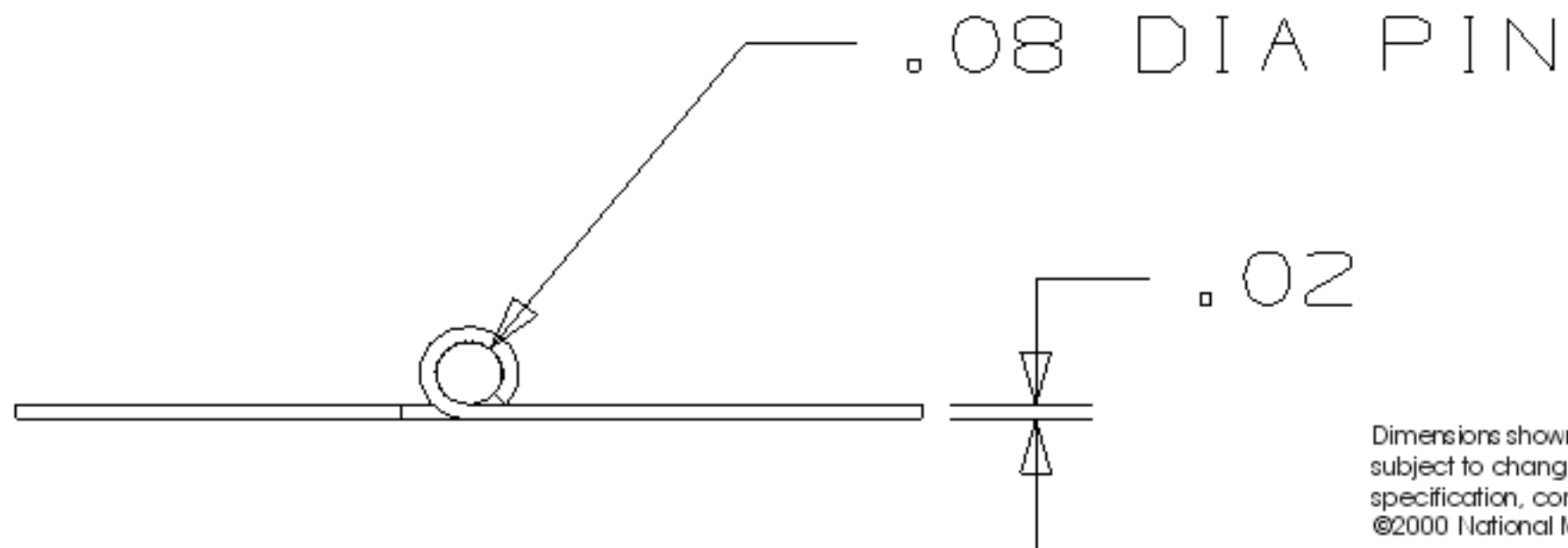


.08 DIA THRU

.08 DIA PIN



Dimensions shown are nominal and subject to change. For critical design specification, contact [techinfo@natman.com](mailto:techinfo@natman.com)  
 ©2000 National Manufacturing Co.