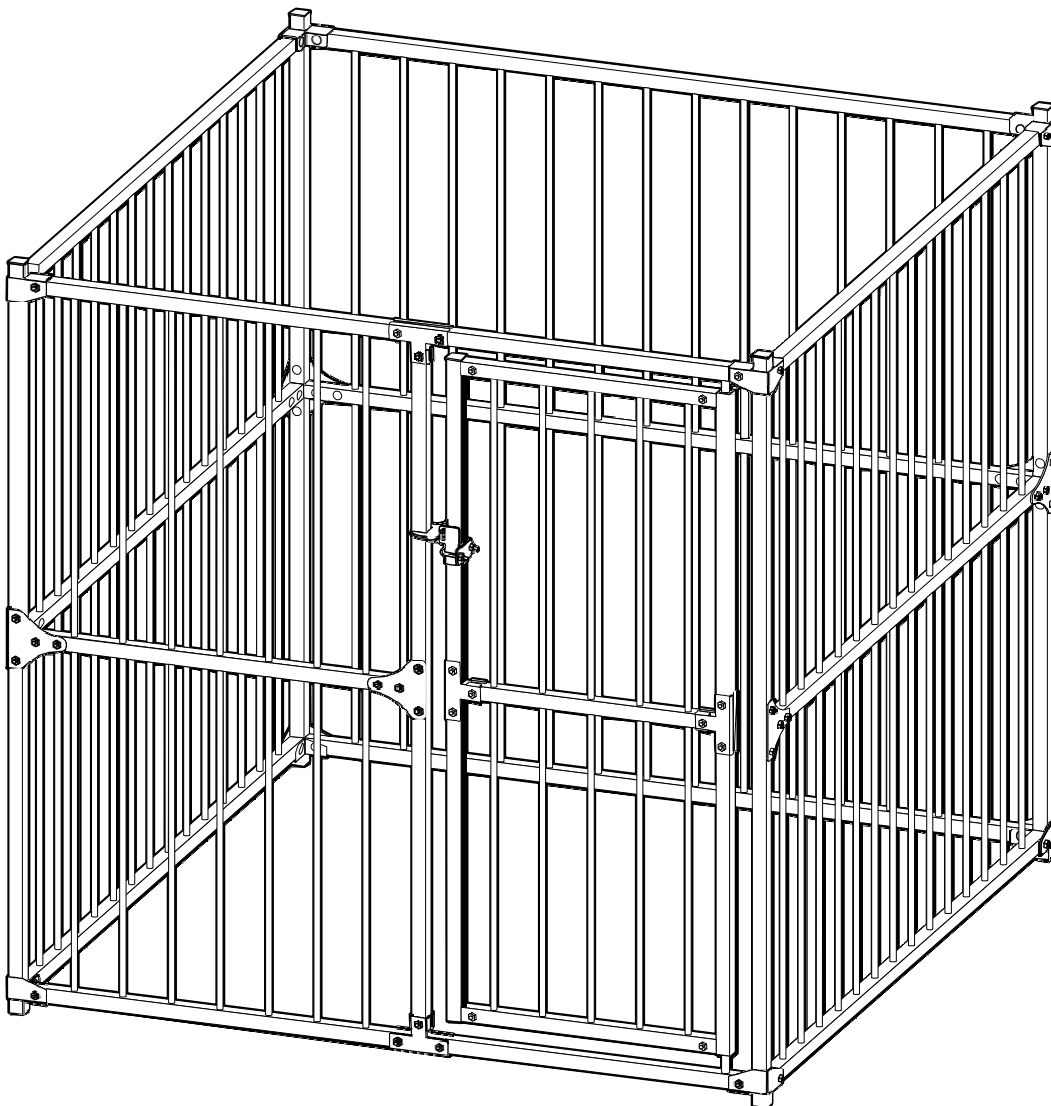




Laurelview Dog Kennel

Assembly Instructions

**FAILURE TO FOLLOW INSTRUCTIONS STEP BY STEP
COULD RESULT IN LONGER INSTALLATION TIME**



HBK11-13659

5'(W) x 5'(L) x 5'(H)



Important Safety Information

Explanation of Attention Words and Symbols used in this guide



This is the safety alert symbol. It is used to alert you to potential personal injury hazards. Obey all safety messages that follow this symbol to avoid possible injury or death.

⚠ WARNING

WARNING indicates a hazardous situation which, if not avoided, could result in death or serious injury.

⚠ CAUTION

CAUTION used *with* the safety alert symbol, indicates a hazardous situation which, if not avoided, could result in minor or moderate injury.

CAUTION

CAUTION used *without* the safety alert symbol, indicates a hazardous situation which, if not avoided, could result in harm to your pet.

NOTICE

NOTICE is used to address safe use practices not related to personal injury.

⚠ WARNING

- Not for use with aggressive dogs. Do not use this product if your dog is aggressive, or if your dog is prone to aggressive behavior. Aggressive dogs can cause severe injury and even death to their owner and others.
- If you are unsure whether this product is appropriate for your dog, please consult your veterinarian or certified trainer.
- Risk of Injury. Do not climb on or play around a kennel. It is not a toy or playground.

⚠ CAUTION

- Use care when handling steel tubes as they may have sharp edges.

CAUTION

- Make sure your pet has water at all times.
- Do not kennel a dog outside in hot or cold weather without other shelter.

NOTICE

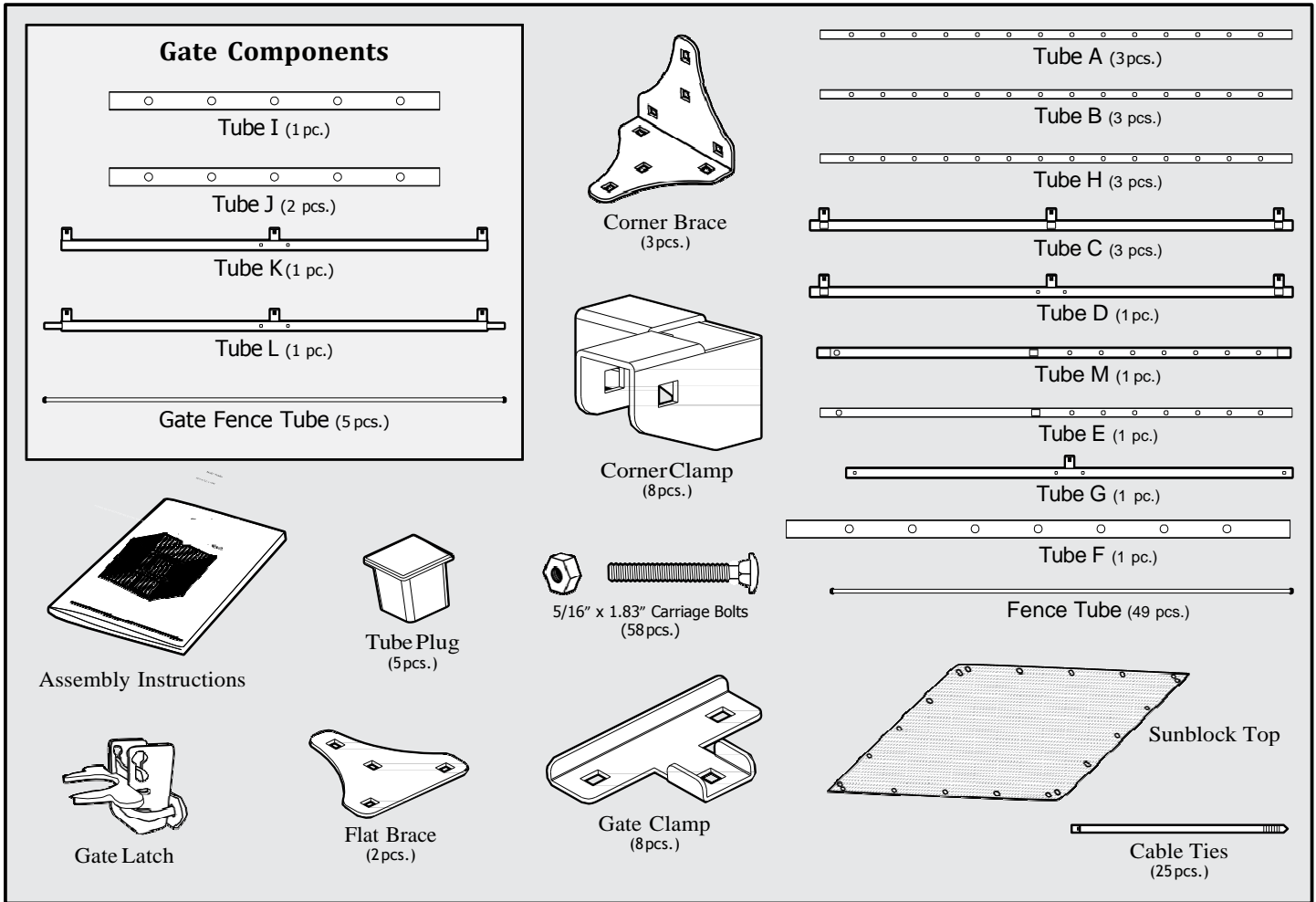
- If your area is subject to heavy snow, it is recommended that you remove the Kennel Top during the winter months. Heavy snow can collapse the kennel resulting in damage and injury.
- Kennel anchors are strongly recommended. FENCEMASTER Kennel System Anchor Kit sold separately.

Thank you for choosing **FENCEMASTER Kennel System**. Our mission is to be the most trusted brand in the pet ownership experience. We want to ensure your pet’s safety by providing you with the tools and techniques to successfully train your pet. If you have questions, please contact the Customer Care Center at 800-451-2612.

Table of Contents

Components 4
Tools Needed 4
Build up gate 5
Build up kennel 6
Install the Sunblock Top 11
Getting Your Dog Comfortable In His Kennel 12
Caution 12
Terms of Use and Limitation of Liability 13

Components



Tools Needed

- Hammer
- Adjustable Wrench or 1/2 inch wrench
- Pliers
- Tape Measure

Approximate assembly time: 1 Hour (60 Minutes)

Step

1

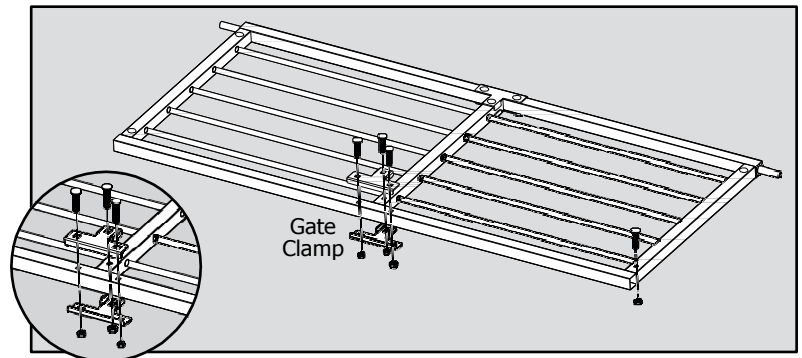
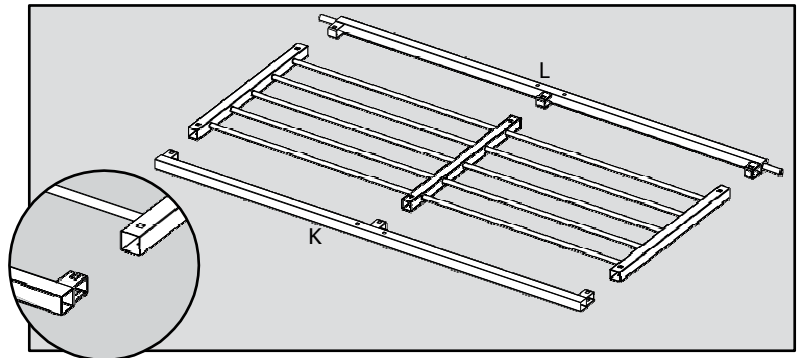
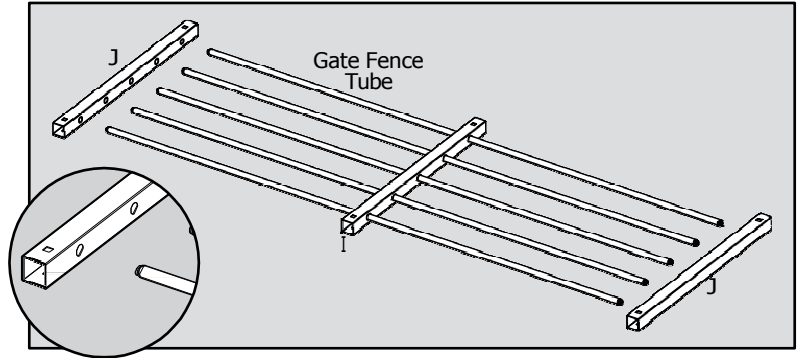
Build up gate

Important: Assemble on a level surface.

Gather (Quantity):

- (1) Tube I
- (2) Tube J
- (1) Tube K
- (1) Tube L
- (5) Gate Fence Tubes
- (4) Gate Clamp
- (10) $\frac{5}{16}$ " bolt and nut

1. Lay tube I on the ground, and insert the five Gate Fence Tubes, then assemble tube J as the picture shows. Make tube I in the middle.
2. Insert tube K and L as the picture shows. Adjust tube I to catch the clamps on tube K and L.
3. Mount the clamps, and fix the bolts. There are 10 bolts and nuts on your finished gate. Make sure all bolts toward the same direction. During installation of the gate in Steps 3-10, bolts should face the outside of the kennel.

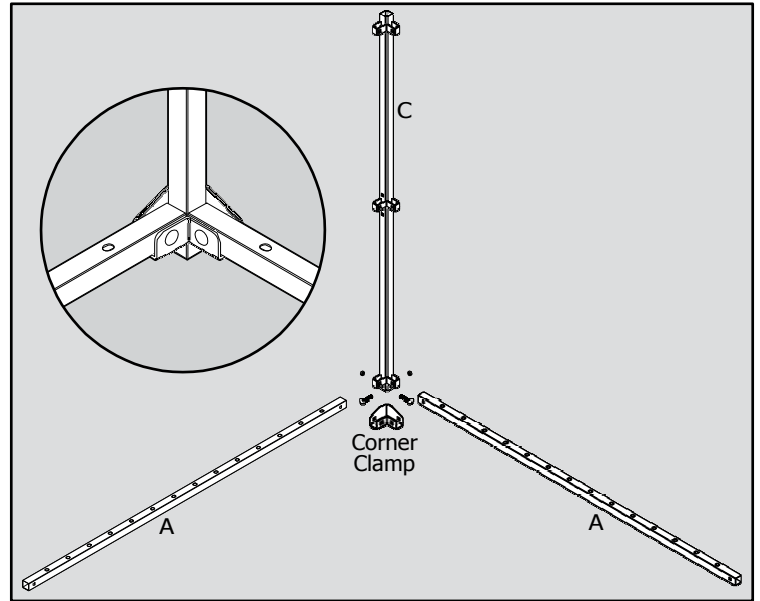


Step 2 Build up the Kennel

2

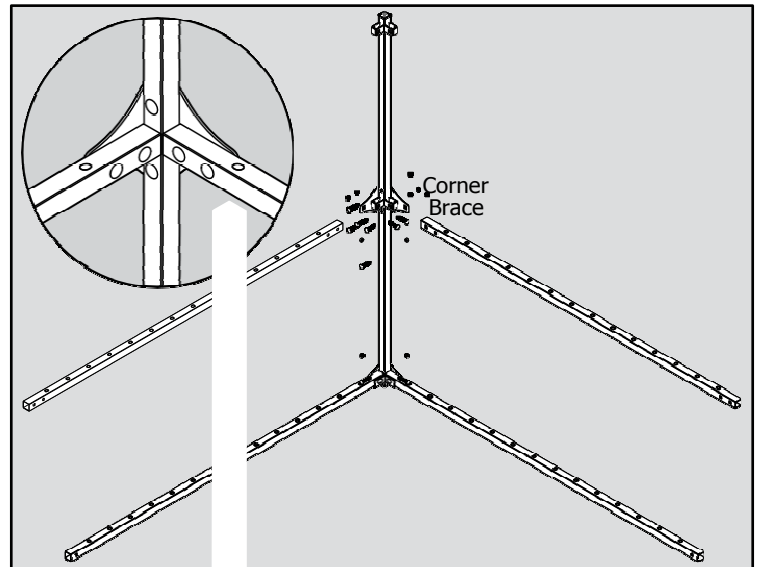
Gather (Quantity):

- (2) Tube A
 - (1) Tube C
 - (1) Corner Clamp
 - (2) $\frac{5}{16}$ " bolt and nut
1. Make tube C stand up, and mount tube A to the bracket on tube C. Then mount the Corner Clamp. Mount the bolts and nuts, but do not fasten them until you complete the kennel. Some adjustment may be necessary during your work. Nuts should face outside the kennel.



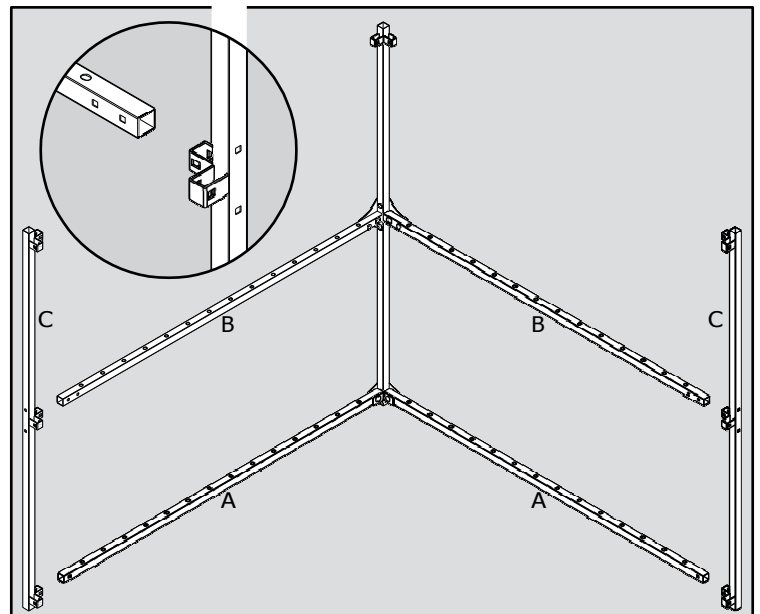
Gather (Quantity):

- (2) Tube B
 - (1) Corner Brace
 - (6) $\frac{5}{16}$ " bolt and nut
2. Mount tube B to the bracket on tube C. Then mount the Corner Brace. Mount the bolts and nuts, but do not fasten them until you complete the kennel. Some adjustment may be necessary during your work. Nuts should face outside the kennel.



Gather (Quantity):

- (2) Tube C
3. Mount tube C to tube A and tube B. Do not mount clamps and bolts in this step.

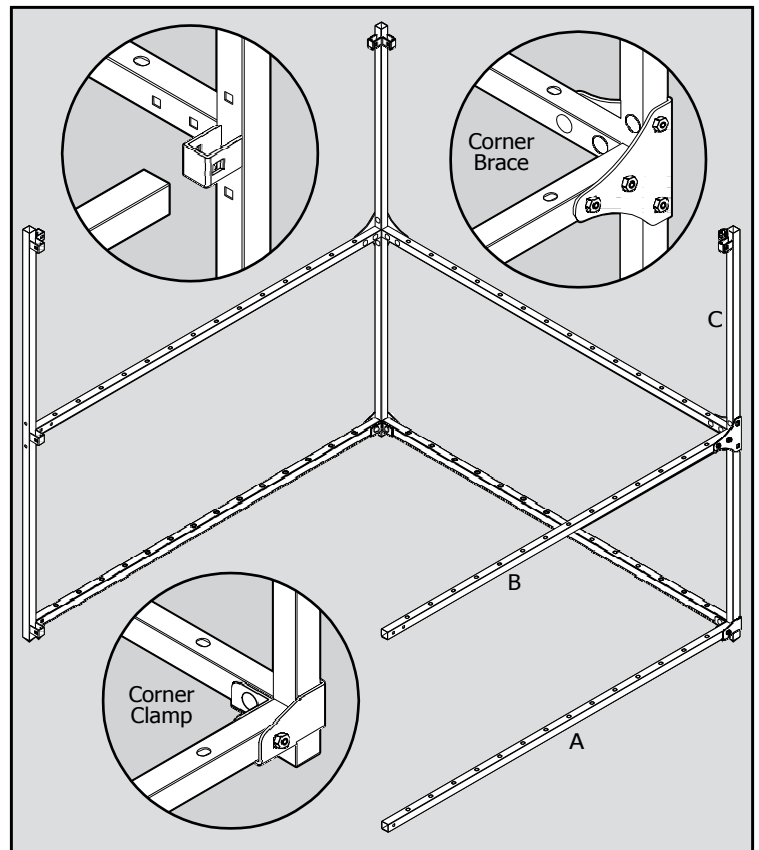


Gather (Quantity):

- (1) Tube A
 - (1) Tube B
4. Mount tube A and tube B to the brackets on tube C. Do not mount clamps and bolts in this step.

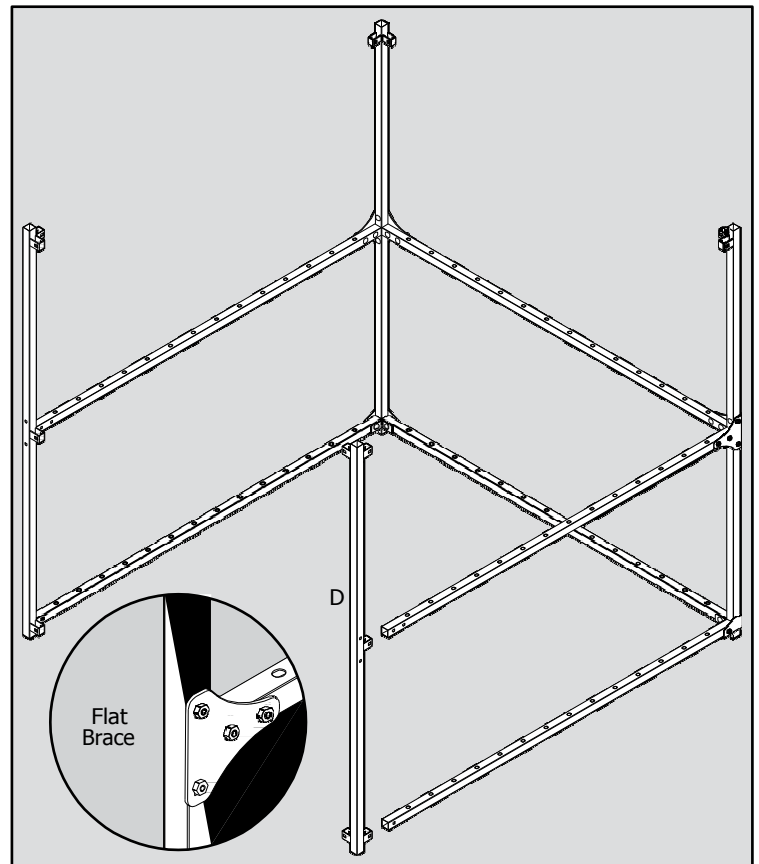
Gather (Quantity):

- (1) Corner Brace
 - (1) Corner Clamp
 - (8) $\frac{5}{16}$ " bolt and nut
5. Mount the Corner Clamp and Corner Brace. Do not fasten them until you complete the kennel. Some adjustment may be necessary during your work.



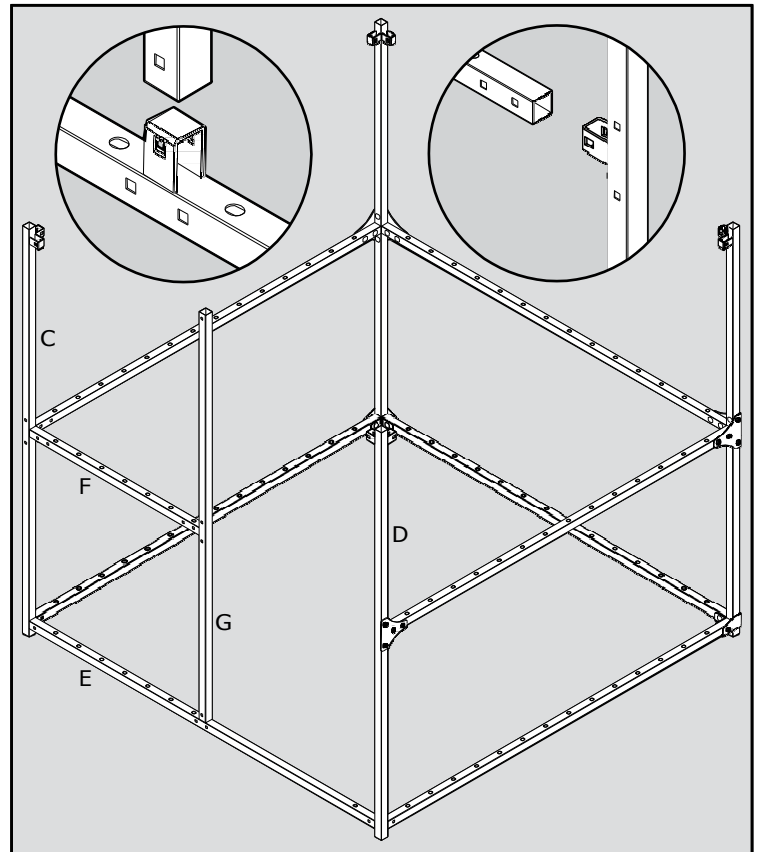
Gather (Quantity):

- (1) Tube D
 - (1) Flat Brace
 - (4) $\frac{5}{16}$ " bolt and nut
6. Mount tube D to the bracket on tube A and tube B. Then mount the Flat Brace. Do not fasten them until you complete the kennel. Some adjustment may be necessary during your work. Nuts should face outside the kennel.



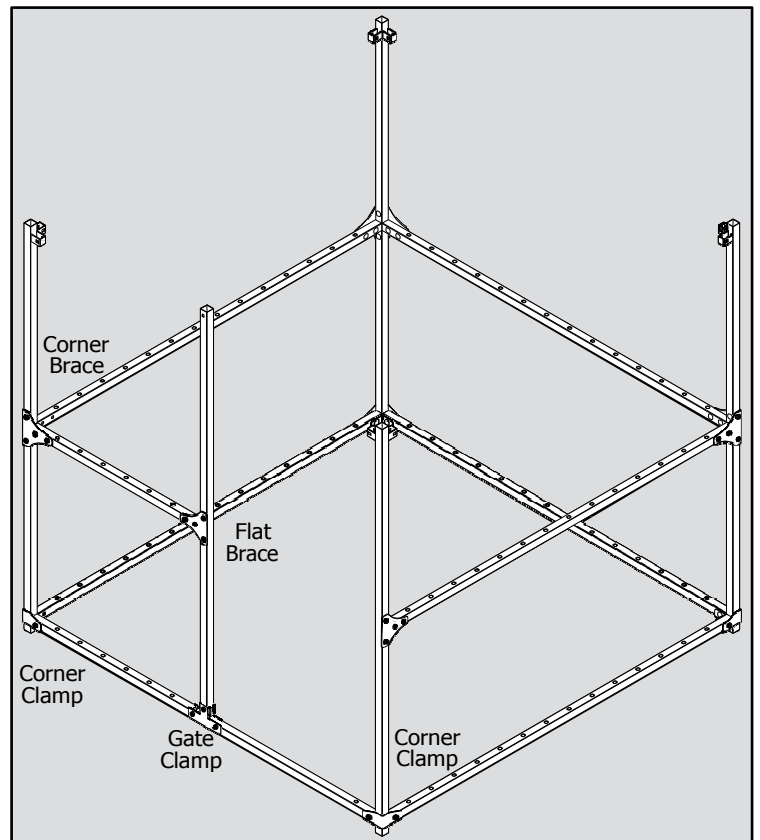
Gather (Quantity):

- (1) Tube E
 - (1) Tube F
 - (1) Tube G
7. Mount tube E to the brackets on tube C and tube D. Then mount tube F to the bracket on tube C, then insert tube G to the bracket on tube E. Finally, push tube F, and insert it to the bracket on tube G.



Gather (Quantity):

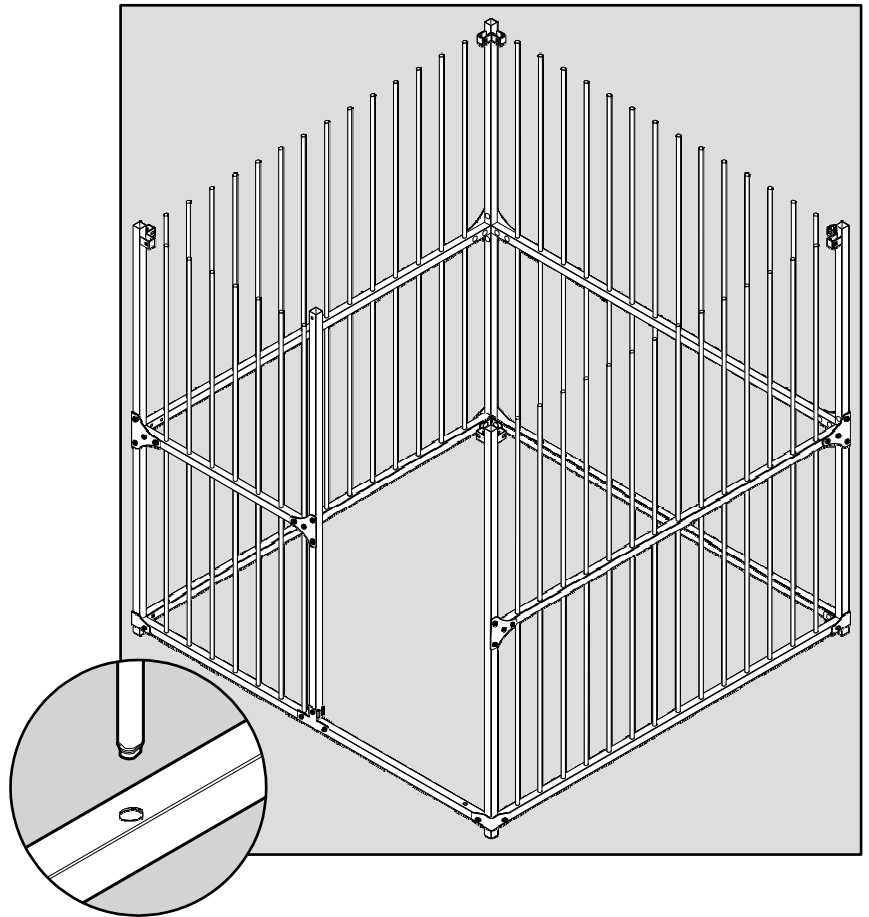
- (2) Corner Clamp
 - (1) Corner Brace
 - (1) Flat Brace
 - (2) Gate Clamp
 - (17) $5/16$ " bolt and nut
8. Mount the clamps, bolts and nuts as the steps above. Do not fasten them until you complete the kennel. Some adjustment may be necessary during your work. Nuts should face outside the kennel.



Gather (Quantity):

- (49) Fence Tube

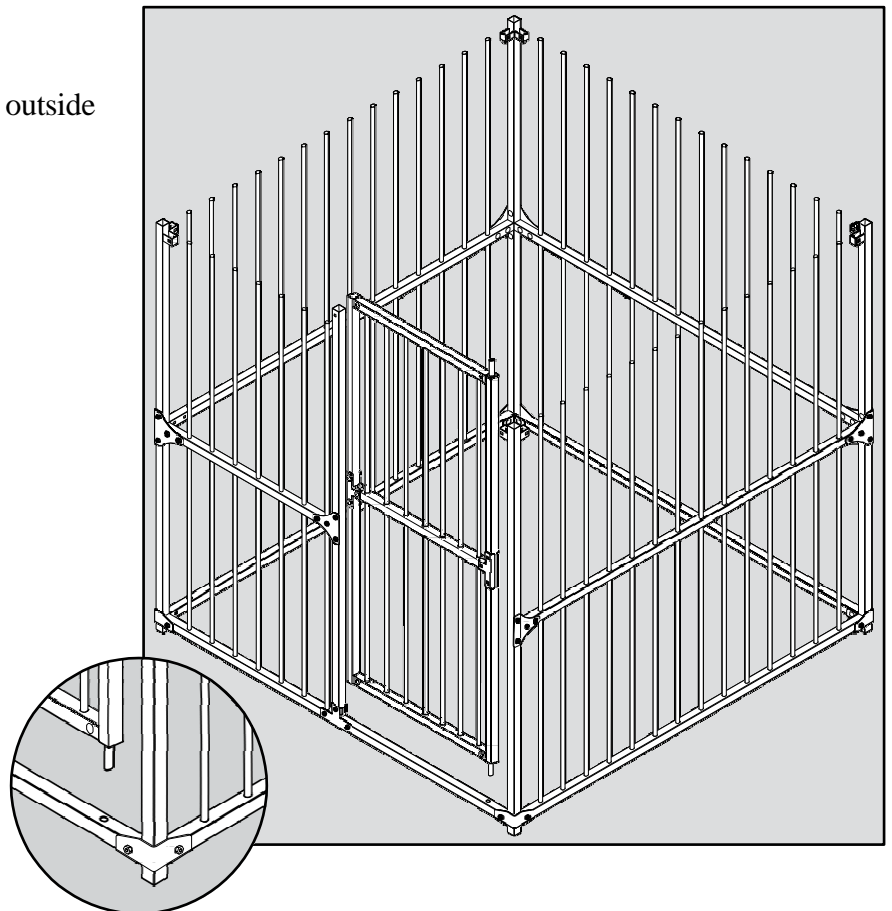
9. Insert all 49 Fence Tubes.



Gather (Quantity):

- (1) Gate, assembled in Step 1.

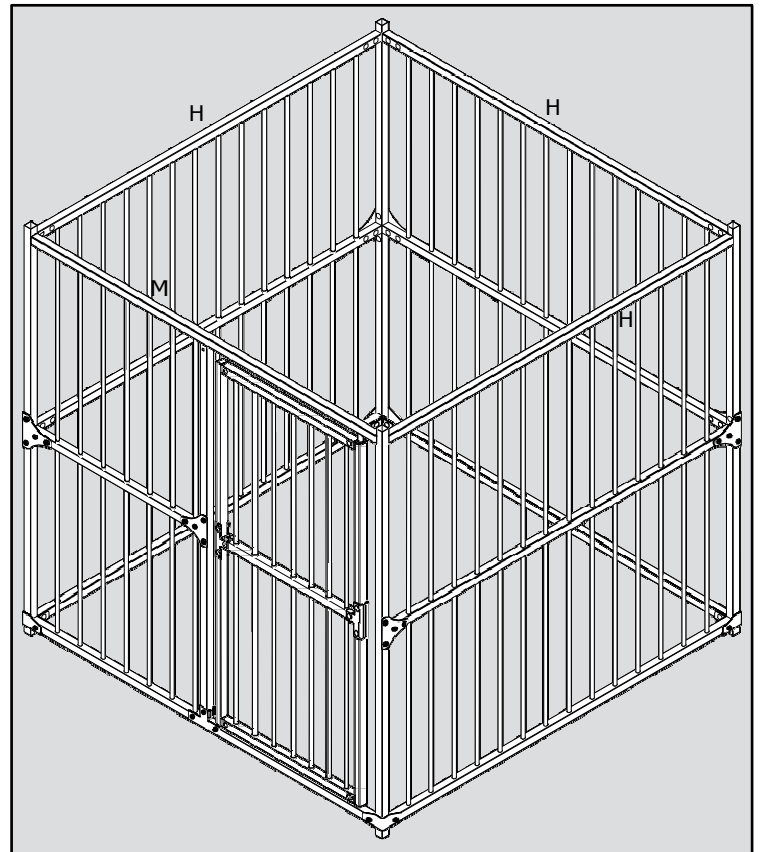
10. Insert the gate. Nuts should face outside the kennel.



Gather (Quantity):

- (1) Tube M
- (3) Tube H

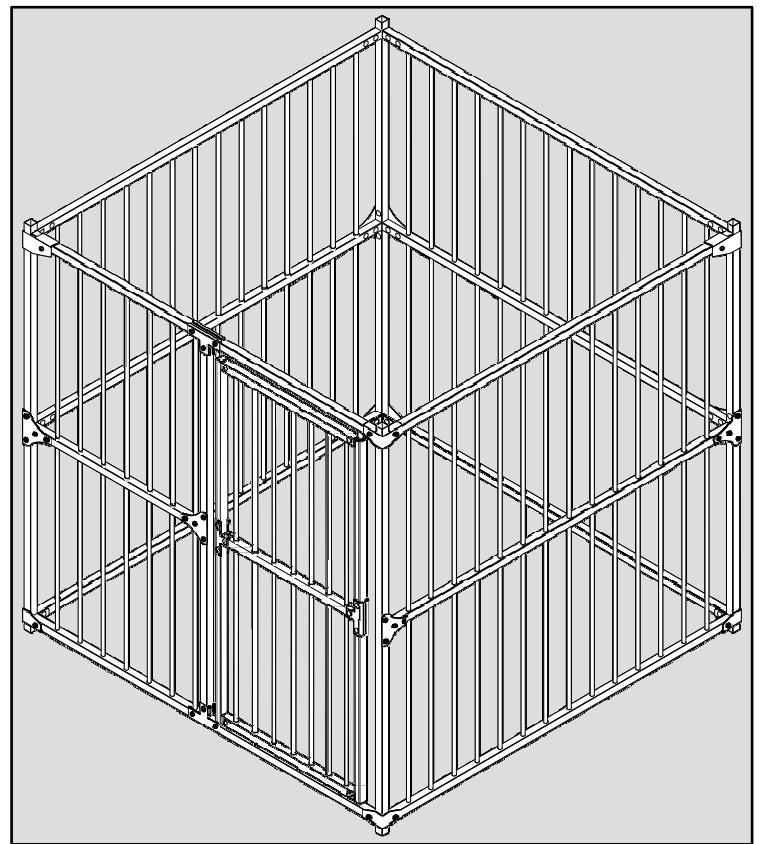
11. Mount tube M. Make sure each fence tube gets into the right hole. Then mount tube H.



Gather (Quantity):

- (4) Corner Clamp
- (2) Gate Clamp
- (11) $5/16$ " bolt and nut

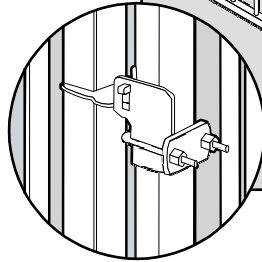
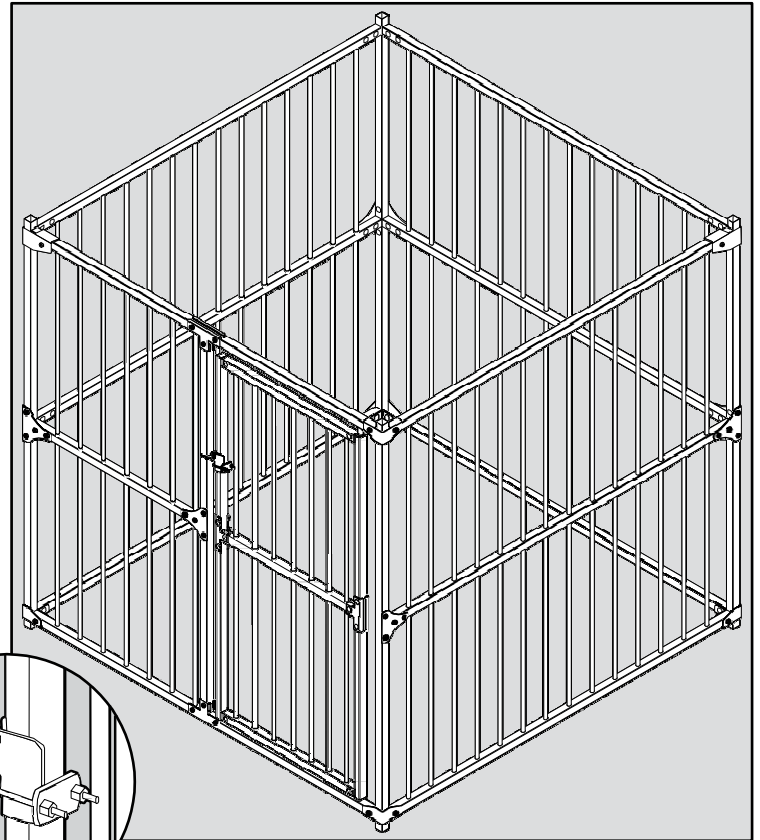
12. Mount the clamps, bolts and nuts. Do not fasten them until you complete the kennel. Some adjustment may be necessary during your work. Nuts should face outside the kennel.



Gather (Quantity):

- (5) Tube Plug
- (1) Gate Latch

13. Knock in the 5 tube plugs. One is on the gate, the remaining four are on the kennel. Then assemble the gate latch on the gate. The latch should be mounted approximately 41 inches to the ground. A hammer is necessary when you knock the tubeplugs.
14. Fasten all bolts.



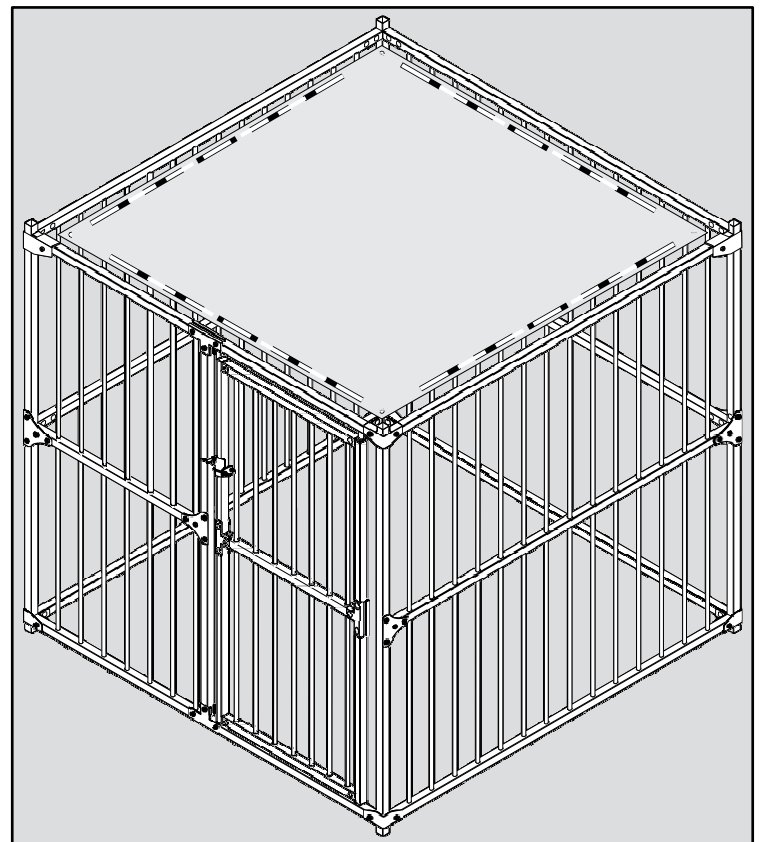
Step **Install the Sunblock Top**

3

Gather (Quantity):

- (1) Sunblock Top kit

1. Install the Sunblock Top. Using eight of the enclosed cable ties, loosely attach the Sunblock Top at the corner grommets to the top rail corners of the kennel. Using the remaining cable ties, loosely attach the sides of the Sunblock Top to the sides of the kennel. Hand tighten all cable ties equally until the Sunblock Top fits snug over kennel. Using wire cutters, cut off excess stems of cable ties.



Getting Your Dog Comfortable In His Kennel

A bit of effort on your part can go a long way to ensure your dog adjusts well to his new kennel. Taking the time to introduce your dog to life in the kennel will lead to a better experience for both you and your pet.

Kennel familiarization may take several days or even weeks, depending on your dog's age, temperament, and past experiences. It's important to keep two things in mind while kennel training: The dog kennel should always be associated with something pleasant, and training should take place in a series of small steps. Don't go too fast!

First, introduce your dog to the kennel by placing a favorite toy, blanket or beloved object into the kennel. Make sure the kennel door is open and secured so that it won't hit or frighten your dog. To encourage your dog to enter the kennel, try dropping some small food treats nearby, then just inside the door, and finally, all the way inside of the kennel. If he refuses to go all the way in the kennel at first, that's okay, don't force the issue. If he isn't interested in treats, try tossing a favorite toy in the kennel. Don't expect instant results, this process may take several days.

When he enters the kennel, offer enthusiastic verbal praise. Quietly close the gate and secure it. Never slam the gate after your dog enters. He should regard his kennel as a safe place rather than a punitive time-out area.

For best results, introduce your pet to his new kennel enclosure for brief periods over time. Stay nearby. Some pets may try to bite or chew the enclosure; some may try to climb out. Your pet may bark or whine. Verbally reassure him. Increase the length of time he is contained until you believe he's comfortable in his new kennel.

Pet toys and other familiar objects can be reassuring to our pet, and help to pass the time while he's contained. Consult your veterinarian or other pet professional to make your pet's transition to the kennel as stress-free as possible.

- CAUTION**
- Make sure your pet has water at all times.
 - Do not kennel a dog outside in hot or cold weather without other shelter.
-

Caution

While this product is a solid barrier, **FENCEMASTER Kennel System** CANNOT guarantee that the kennel will, in all cases, keep a pet within the established boundary. Not all pets can be trained for containment. Therefore, if you have reason to believe that your pet may pose a danger to others or harm himself if he is not kept from exiting the product, you should NOT rely solely upon the **FENCEMASTER Kennel System** to contain your pet. **FENCEMASTER Kennel System** shall NOT be liable for any property damage, economic loss or any consequential damages sustained as a result of any animal exiting the system. If you are unsure whether this is appropriate for your pet, please consult your veterinarian or certified trainer. This product is designed for use with pets only.

Terms of Use and Limitation of Liability

1. Terms of Use

This Product is offered to you conditioned upon your acceptance without modification of the terms, conditions and notices contained herein. Usage of this Product implies acceptance of all such terms, conditions, and notices.

2. Proper Use

This Product is designed for use with pets where training is desired. The specific temperament of your pet may not work with this Product. If you are unsure whether this is appropriate for your pet, please consult your veterinarian or certified trainer.

3. No Unlawful or Prohibited Use

This Product is designed for use with pets only. This pet training device is not intended to harm, injure or provoke. Using this Product in a way that is not intended could result in violation of Federal, State or local laws.

4. Limitation of Liability

In no event shall Stephens Pipe & Steel, LLC be liable for any direct, indirect, punitive, incidental, special or consequential damages, or any damages whatsoever arising out of or connected with the use or misuse of this Product. Buyer assumes all risks and liability from the use of this product.

5. Modification of Terms and Conditions

Stephens Pipe & Steel, LLC reserves the right to change the terms, conditions and notices under which this Product is offered.

2015 Stephens Pipe & Steel, LLC
FENCEMASTER Kennel System
2151 N Main St.
Jamestown, KY 42629
Phone: 800.451.2612
L400-1654/1