

# Contractor Series LED Integrated Bulb and Trim



## Key Features & Benefits

- Integrated lamp and trim
- Dimmable down to 25%\*
- Available in 2700K color temperature
- Long life up to 11,000 hours (L<sub>70</sub>)
- UV and IR free
- Mercury and lead free
- RoHS compliant
- Energy savings up to 77%

\* Performance may vary depending on dimmer used in application. Please refer to Dimmer Compatibility List (RETRO-DIM) for a list of compatible dimmers or visit [www.SYLVANIA.com/LEDRetrofit](http://www.SYLVANIA.com/LEDRetrofit)



Energy-efficient LED replacement for incandescent reflector lamps with integrated trim that updates the look of recessed lighting in one single solution. This easily installed lamp delivers energy savings up to 77% and is available in a warm 2700K color temperature.

## Product Offering

Ordering Abbreviation	Wattage	Color Temperature
6" BR30	15	2700K

## Application Information

### Applications

- Recessed downlights

### Market Segments

- Hospitality
- Offices
- Residential
- Restaurants
- Retail

### Application Notes

1. Operating temperature -4°F to +104°F (-20°C to +40°C)
2. Use in fixtures that support a half pound lamp
3. Not for use with emergency light fixtures or exit lights
4. Suitable for use in damp locations

This device complies with part 15 of the FCC Rules. Operation is subject to the following two conditions: (1) This device may not cause harmful interference, and (2) this device must accept any interference received, including interference that may cause undesired operation. For FCC Part 15 user information, please see [www.sylvania.com/fcc15b](http://www.sylvania.com/fcc15b)



## Specification Data

Catalog #	Type
Project	
Comments	
Prepared by	

## Ordering Information

Item Number	Ordering Abbreviation	Wattage (W)	Base Type	Replaces	Input Voltage (V)	Average Rated Life (hrs.) <sup>1</sup>	CCT <sup>3</sup>	Typical Lumens (lm) <sup>2</sup>	CRI <sup>4</sup>	Power Factor	ENERGY STAR <sup>®</sup>
79695	LED15LT6/DIM/SK/827/RP	15	Medium	65W BR30	120	11,000	2700K	800	80	0.5	N/A

SYLVANIA submits most lamps for ENERGY STAR testing. Early qualification for ENERGY STAR lamps begin at 25,000 hours (L<sub>70</sub>) regardless that the design of the lamp is manufactured for a greater life expectancy. As the lamps pass ENERGY STAR qualifications, manufacturers are able to increase rated life as dictated by ENERGY STAR guidelines becoming either provisionally qualified or fully qualified. Please visit [ENERGYSTAR.gov](http://ENERGYSTAR.gov) for more information about testing requirements for ENERGY STAR qualified products.

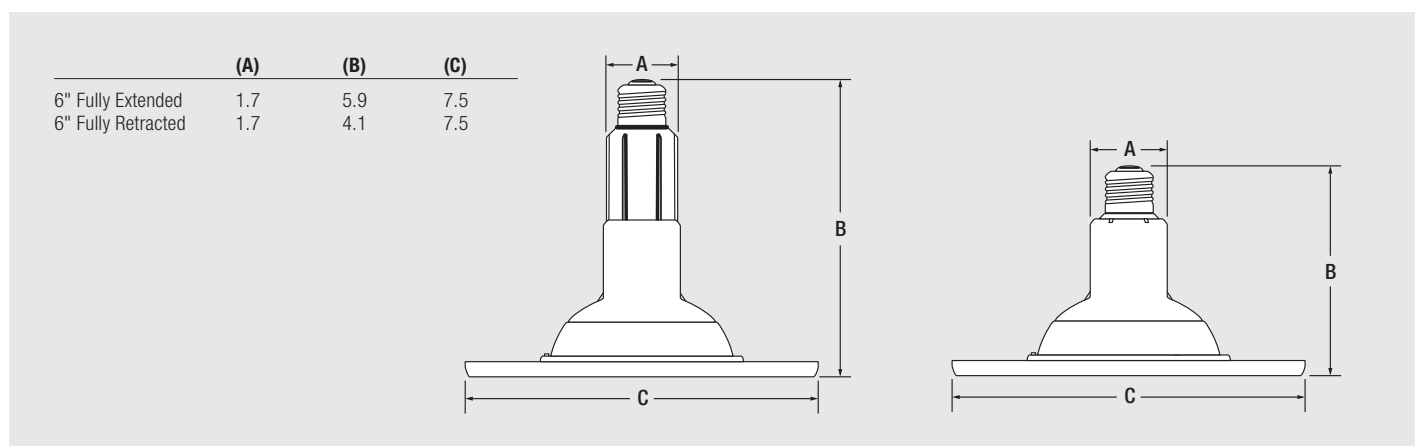
1. Hours lifetime with 70% lumen maintenance 2. Thermally stable typical lumens (±10%) 3. Thermally stable typical CCT (±10%) 4. CRI – Color Rendering Index

## Energy Savings

Basic Product Description	LED Life (hrs.)	Similar Incandescent	Incandescent Life (hrs.)	Incandescent Lumens	Watts Saved	Energy Savings*	LED Life vs. Incandescent
LED15LT6	11,000	65W BR30	2,000	700	50	\$60	5.5x

\*Energy savings over life of lamp calculated at \$0.11/kWh

## Lamp Dimensions



LEDVANCE LLC  
 200 Ballardvale Street  
 Wilmington, MA 01887 USA  
 Phone 1-800-LIGHTBULB (1-800-544-4828)  
[www.sylvania.com](http://www.sylvania.com)

SYLVANIA and LEDVANCE are registered trademarks.  
 All other trademarks are those of their respective owners.  
 Product Licensee of Trademark SYLVANIA in General Lighting.  
 Specifications subject to change without notice.

[/sylvania](https://twitter.com/sylvania) [/sylvania](https://facebook.com/sylvania)

