

ULTRA LED™ HD Glass Lamps



Key Features & Benefits

- Voluntary California Quality Light-Emitting Diode (LED) Lamp Specification 3.0, Tier II
- 90 CRI
- Full glass design
- Dimmable
- Long life up to 15,000 hours (L₇₀)
- Suitable for damp locations
- Suitable for use in totally enclosed fixtures
- Lasts up to 10 times longer than incandescent lamps
- No warm up time, instant on with full light output and stable color



SYLVANIA ULTRA LED HD glass lamps are high performing bulbs that are ideal for ambient or general lighting applications in both residential and commercial applications.

This lamp family offers an extensive selection of lamps with A19, G25, A15, ST19 and B10 bulbs shapes in a warm white 2700K color temperature and 90 CRI to ensure good color definition.

The ULTRA LED HD glass portfolio meets the standards for both California Quality specifications and ENERGY STAR v2.1 requirements.

Product Offering

Ordering Abbreviation	Wattage	Color Temperature	Typical Lumens
LED A15	5	2700K	450
LED A19	5	2700K	450
LED A19	8.5	2700K	800
LED G25	4.5	2700K	350
LED B10	4	2700K	320
LEDB10	5	2700K	500
LEDB10	5.5	2700K	500
LEDST19	5	2700K	450
LEDST19	8.5	2700K	800

Application Information

Applications

- Chandelier
- Downlights
- Pendant fixtures
- Table lamps
- Vanity fixtures
- Wall sconces

Market Segments

- Hospitality
- Residential
- Retail

Application Notes

1. Operating temperature range between -20°C and +45°C (-4°F and + 113°F)
2. Not for use with emergency light fixtures or exit lights
3. Suitable for damp locations – not for use where directly exposed to water
4. Suitable for totally enclosed fixtures



Catalog #	Type
Project	
Comments	
Prepared by	

Ordering Information

Item Number	Ordering Abbreviation	Input Wattage (W)	Bulb Shape	Base Type	Replaces	Input Voltage (V)	Average Rated Life (hrs.)	CCT	Typical Lumens (lm)	CRI	Bulb Finish	ENERGY STAR®
40366	LED5A15/DIM/CL/927/CEC/GL/RP2	5	A15	E26	40W	120	15,000	2700K	450	90	Clear	Yes
40367	LED5A15/DIM/F/927/CEC/GL/RP2	5	A15	E26	40W	120	15,000	2700K	450	90	Frosted	Yes
40178	LED5A19/DIM/O/927/CEC/GL/RP	5	A19	E26	40W	120	15,000	2700K	450	90	Clear	Yes
40179	LED8.5A19/DIM/O/927/CEC/GL/RP	8.5	A19	E26	60W	120	15,000	2700K	800	90	Clear	Yes
40180	LED4.5G25/CL/DIM/927/CEC/GL/RP	4.5	G25	E26	40W	120	15,000	2700K	350	90	Clear	Yes
40181	LED4.5G25/F/DIM/927/CEC/GL/RP	4.5	G25	E26	40W	120	15,000	2700K	350	90	Frosted	Yes
40184	LED4B10/BENT/DIM/927/CEC/GL/BL2	4	B10	E26	40W	120	15,000	2700K	320	90	Clear	Yes
40185	LED4B10C/BENT/DIM/927/CEC/GL/BL2	4	B10	E12	40W	120	15,000	2700K	320	90	Clear	Yes
40404	LED5B10/BENT/DIM/927/CEC/GL/RP2	5	B10	E26	60W	120	15,000	2700K	500	90	Clear	Yes
40405	LED5.5B10C/BENT/DIM/927/CEC/GL/RP2	5.5	B10	E12	60W	120	15,000	2700K	500	90	Clear	Yes
40254	LED5ST19/DIM/927/CEC/GL/RP	5	ST19	E26	40W	120	15,000	2700K	450	90	Clear	Yes
40255	LED8.5ST19/DIM/927/CEC/GL/RP	8.5	ST19	E26	60W	120	15,000	2700K	800	90	Clear	Yes

Ordering Guide

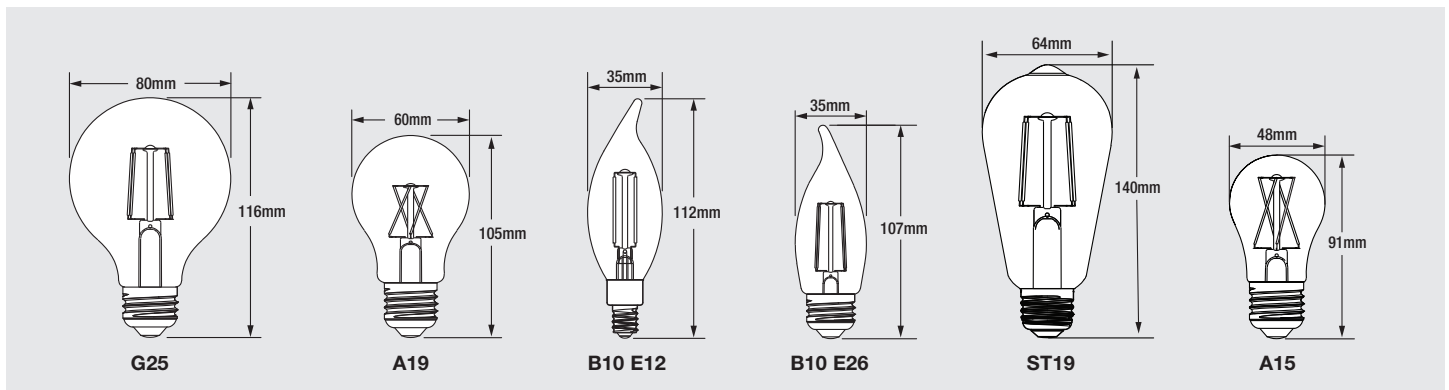
LED	5	A19	/	DIM	/	0	/	9	/	27	/	CEC	/	GL	/	RP
LED Lamps	Wattage	Lamp Type		Dimmable		Omnidirectional		CRI = 90		CCT = 2700K		CEC		Glass		Retail Pack

Energy Savings

Basic Product Description	LED Life (hrs.)	LED Lumens	Similar Incandescent	Incandescent Life (hrs.)	Watts Saved	Energy Savings*	LED Life vs. Incandescent
LED5A19	15,000	450	40W	1500	35	\$57.80	10x
LED8.5A19	15,000	800	60W	1500	51.5	\$85.00	10x
LED4.5G25	15,000	350	40W	1500	35.5	\$58.60	10x
LED4B10	15,000	320	40W	1500	36	\$57.80	10x
LED5B10	15,000	500	60W	1500	55	\$90.75	10x
LED5A15	15,000	450	40W	1500	35	\$57.80	10x
LED5ST19	15,000	450	40W	1500	35	\$57.80	10x
LED8.5ST19	15,000	800	60W	1500	51.5	\$85.00	10x

*Energy savings over life of lamp calculated at \$0.11/kWh

Lamp Dimensions



LEDVANCE LLC
 200 Ballardvale Street
 Wilmington, MA 01887 USA
 Phone 1-800-LIGHTBULB (1-800-544-4828)
 www.sylvania.com

SYLVANIA and LEDVANCE are registered trademarks.
 All other trademarks are those of their respective owners.
 Licensee of product trademark SYLVANIA in general lighting.
 Specifications subject to change without notice.

[/sylvania](#) [/sylvania](#)

