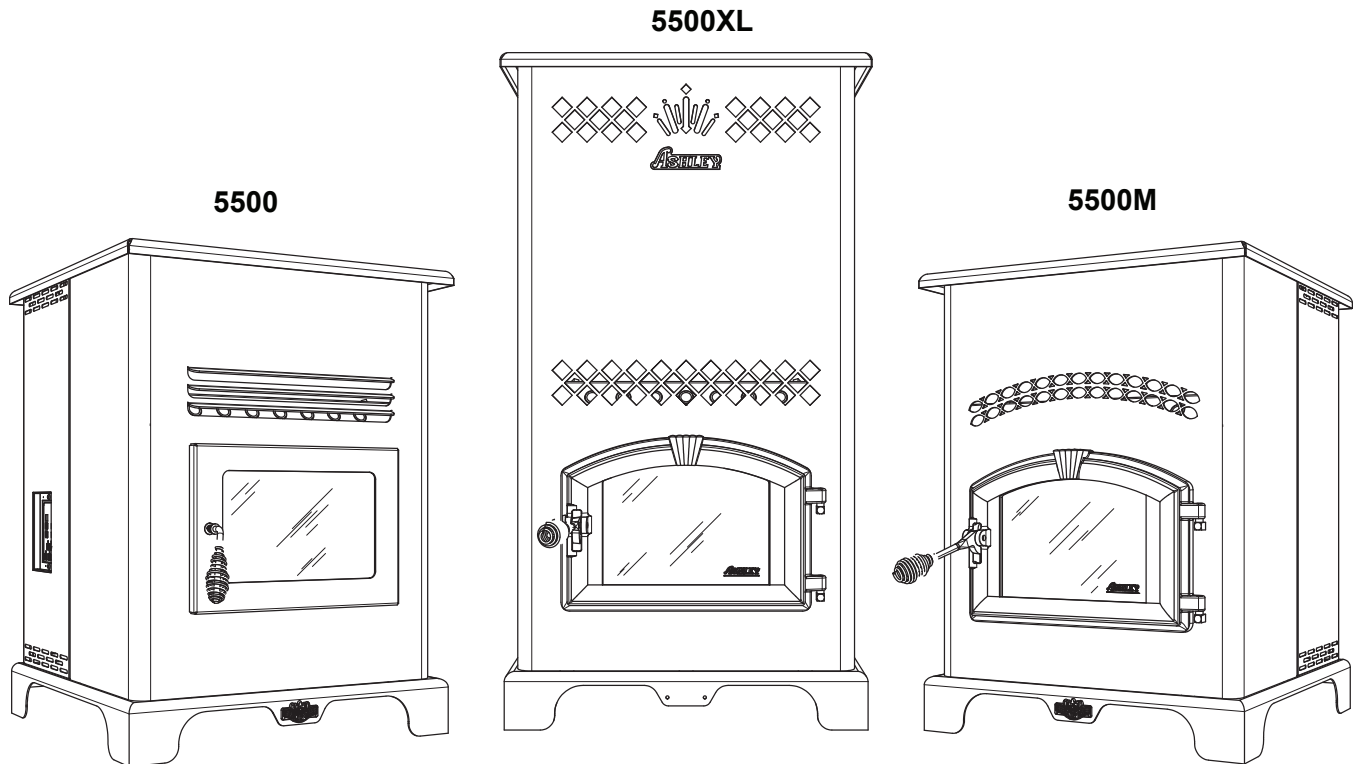


# UNITED STATES STOVE COMPANY

"Keeping North America Warm Since 1869"

## *King/Ashley Pellet Stove*

models 5500/5500M/5500XL



### Owner's Manual

- △ **Please read this entire manual before installation and use of this appliance. Failure to follow these instructions could result in property damage, bodily injury, or even death.**
- △ **Contact your local building or fire officials about obtaining permits, restrictions and installation inspection requirements in your area.**
- △ **Save these instructions.**

This unit is not intended to be used as a primary source of heat.

French version is available for download from the U. S. Stove website: <http://www.usstove.com/>

This unit conforms ASTM E 1509-04 and certified to ULC-S627-00 by ONMI-Test Laboratories

#### U.S. Environmental Protection Agency

Certified to comply with 2015 particulate emissions standards.

TESTED &  
LISTED BY



PORTLAND,  
OREGON, USA

Report #: 215-S-05b-2

UNITED STATES STOVE COMPANY • 227 INDUSTRIAL PARK ROAD • SOUTH PITTSBURG, TENNESSEE 37380 • [WWW.USSTOVE.COM](http://WWW.USSTOVE.COM)

**FOR TECHNICAL ASSISTANCE: PHONE: (800) 750-2723 FAX: (423) 837-2109**

**851641L-1904E**

## Safety Precautions

This manual describes the installation and operation of the King/Ashley, 5500, 5500XL, 5500M wood heater. This heater meets the 2015 U.S. Environmental Protection Agency's crib wood emission limits for wood heaters sold after May 15, 2015. Under specific test conditions this heater has been shown to deliver heat at rates ranging from 9,126 to 27,677 Btu/hr."

- △ **IMPORTANT:** Read this entire manual before installing and operating this product. Failure to do so may result in property damage, bodily injury, or even death. Proper installation of this stove is crucial for safe and efficient operation.
- △ Install vent at clearances specified by the vent manufacturer.
- △ If a chimney or creosote fire occurs, press the "OFF" button immediately. Do not unplug the unit.
- △ Do not connect the pellet vent to a vent serving any other appliance or stove.
- △ Do not install a flue damper in the exhaust venting system of this unit.
- △ Use of outside air is not required for this unit.
- △ Contact your local building officials to obtain a permit and information on any additional installation restrictions or inspection requirements in your area.
- △ Do not throw this manual away. This manual has important operating and maintenance instructions that you will need at a later time. Always follow the instructions in this manual.
- △ This appliance is designed for the use of pelletized fuel that meet or exceed the standard set by the Pellet Fuel Institute(PFI), The use of other fuels will void warranty.
- △ Never use gasoline, gasoline-type lantern fuel, kerosene, charcoal lighter fluid, or similar liquids to start or 'freshen up' a fire in this stove. Keep all such liquids well away from the stove while it is in use.
- △ A working smoke detector must be installed in the same room as this product.
- △ It must be installed at least 15 feet (4,57 m) from the appliance in order to prevent undue triggering of the detector when reloading.
- △ Do not unplug the stove if you suspect a malfunction. Turn the ON/OFF SWITCH to "OFF" and contact your dealer.
- △ Your stove requires periodic maintenance and cleaning (see "MAINTENANCE "). Failure to maintain your stove may lead to improper and/or unsafe operation.
- △ Disconnect the power cord before performing any maintenance! NOTE: Turning the ON/OFF Switch to "OFF" does not disconnect all power to the electrical components of the stove.
- △ Never try to repair or replace any part of the stove unless instructions for doing so are given in this manual. All other work should be done by a trained technician.
- △ Do not operate your stove with the viewing door open. The auger will not feed pellets under these circumstances and a safety concern may arise from sparks or fumes entering the room.
- △ The feed door must be closed and sealed during operation.
- △ Never block free airflow through the open vents of the unit.
- △ **DO NOT CONNECT TO OR USE IN CONJUNCTION WITH ANY AIR DISTRIBUTION DUCTWORK UNLESS SPECIFICALLY APPROVED FOR SUCH INSTALLATION.**
- △ Allow the stove to cool before performing any maintenance or cleaning. Ashes must be disposed in a metal container with a tight fitting lid. The closed container of ashes should be placed on a non-combustible surface or on the ground, well away from all combustible materials, pending final disposal.
- △ The exhaust system should be checked monthly during the burning season for any build-up of soot or creosote.
- △ Do not touch the hot surfaces of the stove. Educate all children on the dangers of a high-temperature stove. Young children should be supervised when they are in the same room as the stove.
- △ The hopper and stove top will be hot during operation; therefore, you should always use some type of hand protection when refueling your stove.
- △ A power surge protector is required. This unit must be plugged into a 110 - 120V, 60 Hz grounded electrical outlet. Do not use an adapter plug or sever the grounding plug. Do not route the electrical cord underneath, in front of, or over the heater. Do not route the cord in foot traffic areas or pinch the cord under furniture.
- △ The heater will not operate during a power outage. If a power outage does occur, check the heater for smoke spillage and open a window if any smoke spills into the room.
- △ Keep foreign objects out of the hopper.
- △ The moving parts of this stove are propelled by high torque electric motors. Keep all body parts away from the auger while the stove is plugged into an electrical outlet. These moving parts may begin to move at any time while the stove is plugged in.
- △ Do not place clothing or other flammable items on or near this stove.
- △ When installed in a mobile home, the stove must be grounded directly to the steel chassis and bolted to the floor. **WARNING—THIS UNIT MUST NOT BE INSTALLED IN THE BEDROOM (per HUD requirements). CAUTION—THE STRUCTURAL INTEGRITY OF THE MOBILE HOME FLOOR, WALL, AND CEILING/ROOF MUST BE MAINTAINED.**
- △ This appliance is not intended for commercial use.
- △ Establish a routine for the fuel, wood burner and firing technique. Check daily for creosote build-up until experience shows how often you need to clean to be safe. Be aware that the hotter the fire the less creosote is deposited, and weekly cleaning may be necessary in mild weather even though monthly cleaning may be enough in the coldest months. Contact your local municipal or provincial fire authority for information on how to handle a chimney fire. Have a clearly understood plan to handle a chimney fire.

\* This appliance is a freestanding heater. It is not intended to be attached to any type of ducting. It is not a furnace.

CUT HERE



# WARRANTY INFORMATION CARD

Name \_\_\_\_\_ Telephone #: (\_\_\_\_\_) \_\_\_\_\_

City \_\_\_\_\_ State \_\_\_\_\_ Zip \_\_\_\_\_

Email Address \_\_\_\_\_

Model # of Unit \_\_\_\_\_ Serial # \_\_\_\_\_

Fuel Type:  Wood  Coal  Pellet  Gas  Other \_\_\_\_\_

Place of Purchase (Retailer) \_\_\_\_\_

City \_\_\_\_\_ State \_\_\_\_\_ Zip \_\_\_\_\_

If internet purchase, please list website address \_\_\_\_\_

Date of Purchase \_\_\_\_\_

Reason for Purchase:  Alternative Heat  Main Heat Source

Decoration  Cost  Other \_\_\_\_\_

What was the determining factor for purchasing your new USSC appliance? \_\_\_\_\_

I have read the owner's manual that accompanies this unit and fully understand the:  
Installation  Operation  and Maintenance  of my new USSC appliance.

\_\_\_\_\_  
Print Name

\_\_\_\_\_  
Signature

\_\_\_\_\_  
Date

Please attach a copy of your purchase receipt.

Warranty not valid without a Proof of Purchase.

Warranty information must be received within 30 days of original purchase.

Detach this page from this manual, fold in half with this page to the inside and tape together. Apply a stamp and mail to the address provided. You may use an envelope if you choose.

You may register online by going to [www.usstove.com](http://www.usstove.com)

All information submitted will be kept strictly confidential. Information provided will not be sold for advertising purposes.  
Contact information will be used solely for the purpose of product notifications.

CUT HERE




CUT HERE



CUT HERE



 Fold Here

Fold Here 

---

---

---

PLACE  
STAMP  
HERE

United States Stove Company  
P.O. Box 151  
South Pittsburg, TN 37380

# Specifications

## Heating Specifications

Fuel Burn Rate*	2.0 - 6.0 lbs./hr. (0.9 - 2.7 kg/hr)	
Burn Time (lowest setting)	<b>5500/5500M</b> - 60 hrs.	<b>5500XL</b> - 160 hrs.
Hopper Capacity	<b>5500/5500M</b> - 120lbs. (55kg)	<b>5500XL</b> - 320lbs.(146kg)

\* Pellet size may effect the actual rate of fuel feed and burn times. Fuel feed rates may vary by as much as 20%. Use PFI listed fuel for best results.

## Dimensions

	<b>5500/5500M</b>	<b>5500XL</b>
Height	34 in. (864mm)	47 1/4 in. (1200mm)
Width	26 in. (660mm)	26 in. (660mm)
Depth	27 in. (686mm)	27 in. (686mm)
Weight	210 lbs. (95.5kg)	275 lbs. (125kg)

## Electrical Specifications

Electrical Rating	110-120 volts, 60 HZ, 3.0 Amps
Watts (operational)	175 (approx.)
Watts (igniter running)	425 (approx.)

## VISIBLE SMOKE

The amount of visible smoke being produced can be an effective method of determining how efficiently the combustion process is taking place at the given settings. Visible smoke consist of unburned fuel and moisture leaving your stove. Learn to adjust the air settings of your specific unit to produce the smallest amount of visible smoke. Wood that has not been seasoned properly and has a high wood moisture content will produce excess visible smoke and burn poorly.

## FUEL CONSIDERATIONS

Your pellet stove is designed to burn premium hardwood pellets that comply with Association of Pellet Fuel Industries standards. (Minimum of 40 lbs density per cubic ft, 1/4" to 5/16" diameter, length no greater than 1.5", not less than 8,200 BTU/lb, moisture under 8% by weight, ash under 1% by weight, and salt under 300 parts per million). Pellets that are soft, contain excessive amounts of loose sawdust, have been, or are wet, will result in reduced performance.

Store your pellets in a dry place. DO NOT store the fuel within the installation clearances of the unit or within the space required for refueling and ash removal. Doing so could result in a house fire.

DO NOT USE CHEMICALS OR FLUIDS TO START FIRE.

HOT WHILE IN OPERATION. KEEP CHILDREN, CLOTHING AND FURNITURE AWAY. CONTACT MAY CAUSE SKIN BURNS.

## Installation

This heater is designed to burn only PFI Premium grade pellets. This appliance can also burn pellets rated as standard after May 16, 2015

### DO NOT BURN:

1. Garbage;
2. Lawn clippings or yard waste;
3. Materials containing rubber, including tires;
4. Materials containing plastic;
5. Waste petroleum products, paints or paint thinners, or asphalt products;
6. Materials containing asbestos;
7. Construction or demolition debris;
8. Railroad ties or pressure-treated wood;
9. Manure or animal remains;
10. Salt water driftwood or other previously salt water saturated materials;
11. Unseasoned wood; or
12. Paper products, cardboard, plywood, or particleboard. The prohibition against burning these materials does not prohibit the use of fire starters made from paper, cardboard, saw dust, wax and similar substances for the purpose of starting a fire in an affected wood heater.

Burning these materials may result in release of toxic fumes or render the heater ineffective and cause smoke.

### **SAFETY AND EPA COMPLIANCE**

Your pellet stove has been safety tested and listed to ASTM E 1509-04, ULC-S627-00, ULC/ORD C1482-90 and (UM) 84-HUD by OMNI-Test Laboratories, Inc. Portland, Oregon, USA. It is also certified and tested to EPA Phase II requirements.

### **INSTALLATION OPTIONS**

- △ **Read this entire manual before you install and use your pellet stove. Failure to follow instructions may result in property damage, bodily injury, or even death!**

**Warning: Use all specified components and make no substitutions unless approved by the manufacturer. Failure to do so may result in property damage, bodily injury, or even death! (See specific installation details for clearances and other installation requirements)**

A **Freestanding Unit**—supported by pedestal/legs and placed on a non-combustible floor surface in compliance with clearance requirements for a freestanding stove installation.

An **Alcove Unit**—supported by pedestal/legs and placed on a non-combustible floor surface in compliance with clearance requirements for an alcove installation.

Your pellet stove may be installed to code in either a **conventional** or **mobile home** (see **SPECIAL MOBILE HOME REQUIREMENTS**). ***US Only Installation.***

It is recommended that only a authorized technician install your pellet stove, preferably an NFI certified specialist.

**CAUTION: DO NOT CONNECT TO OR USE IN CONJUNCTION WITH ANY AIR DISTRIBUTION DUCTWORK UNLESS SPECIFICALLY APPROVED FOR SUCH INSTALLATIONS.**

# Installation

## FLOOR PROTECTION

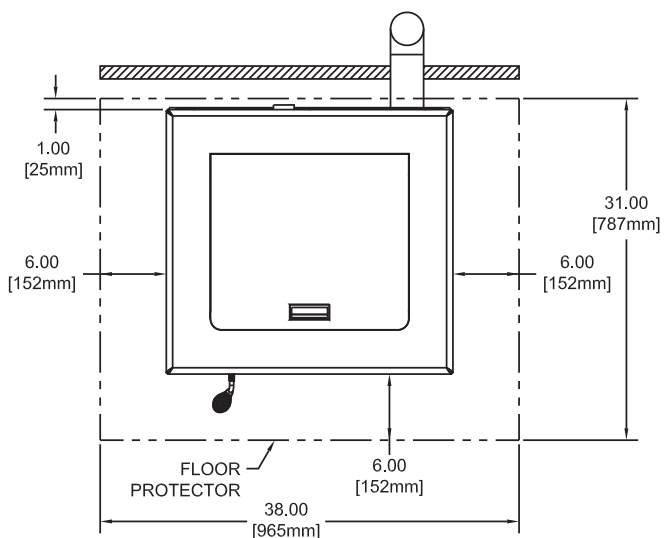
This unit must be installed on a non-combustible floor surface. If a floor pad is used, it should be UL listed or equal. The floor pad or non-combustible surface should be large enough to extend a minimum of 6 in. (152.4mm) in front, 6 in. (152.4mm) on each side, and 1 in. (25.4mm) behind the stove (see FIGURE 1).

Floor protection must extend under and 2 in. (50.8mm) to each side of the chimney tee for an interior vertical installation (see FIGURE 2).

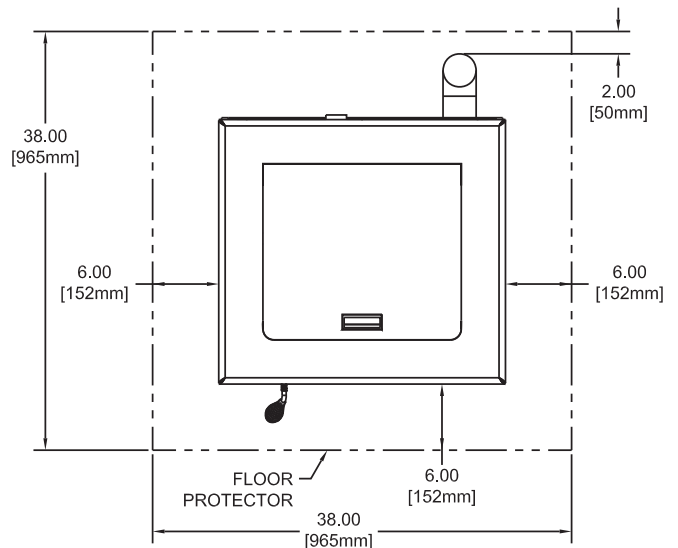
Your pellet stove will need a minimum 31" (787mm) x 38" (965mm) floor protector.

A Floor Protector of 1 inch (25.4mm) thick is recommended for this installation.

**IMPROPER INSTALLATION:** The manufacturer will not be held responsible for damage caused by the malfunction of a stove due to improper venting or installation. Call (800) 750-2723 and/or consult a professional installer if you have any questions.



**FIGURE 1**  
THROUGH THE WALL INSTALLATION



**FIGURE 2**  
INTERIOR VERTICAL INSTALLATION

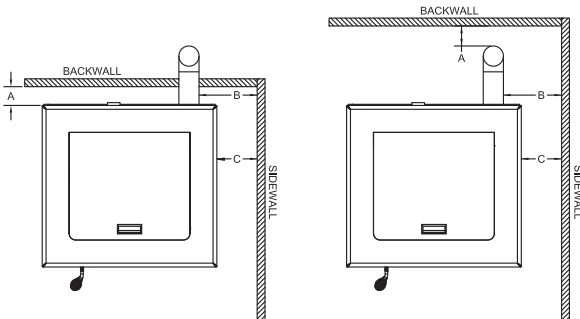
# Installation

## CLEARANCES

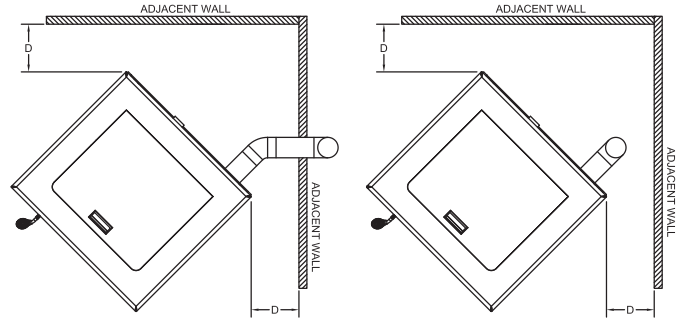
Your pellet stove has been tested and listed for installation in residential, mobile home, and alcove applications in accordance with the clearances given in FIGURES 3-5 and TABLE 1.

Clearances may only be reduced by means approved by the regulatory authority.

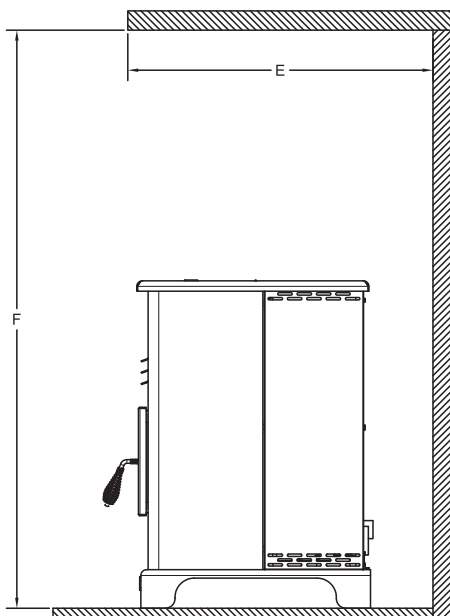
**NOTE:** Distance "C" on the left-hand side of your pellet stove may need to be greater than the minimum required clearance for suitable access to the control panel.



**FIGURE 3**  
SIDEWALL CLEARANCES  
PARALLEL INSTALLATION



**FIGURE 4**  
SIDEWALL CLEARANCES  
CORNER INSTALLATION



**FIGURE 5**  
ALCOVE CLEARANCES

PARALLEL	A - Backwall to unit	2.00 / 50mm
	B - Sidewall to flue	13.00 / 330mm
	C - Sidewall to top edge of unit	8.00 / 203mm
CORNER ALCOVE (5500(M) only)	D - Adjacent wall to unit	8.00 / 203mm
	E - Alcove depth	36.00 - 914mm
	F - Alcove height	60.00 - 1520mm

**TABLE 1**  
CLEARANCES

***ALCOVE INSTALLATION***  
***THIS INSTALLATION IS NOT APPLICABLE***  
***FOR MODEL 5500XL.***



# Installation

## **VENTING REQUIREMENTS**

- △ Install vent at clearances specified by the vent manufacturer.
- △ Do not connect the pellet vent to a vent serving any other appliance or stove.
- △ Do not install a flue damper in the exhaust venting system of this unit.

The following installation guidelines must be followed to ensure conformity with both the safety listing of this stove and to local building codes. Do not use makeshift methods or compromise in the installation.

**IMPORTANT!** This unit is equipped with a negative draft system that pulls air through the burn pot and pushes the exhaust out of the dwelling. If this unit is connected to a flue system other than the way explained in this manual, it will not function properly.

## **MAXIMUM VENTING DISTANCE**

Installation MUST include at least 3-feet of vertical pipe outside the home. This will create some natural draft to reduce the possibility of smoke or odor during appliance shutdown and keep exhaust from causing a nuisance or hazard by exposing people or shrubs to high temperatures. The maximum recommend vertical venting height is 12-feet for 3-inch type “PL” vent. Total length of horizontal vent MUST NOT exceed 4-feet. This could cause back pressure. Use no more than 180 degrees of elbows (two 90-degree elbows, or two 45-degree and one 90-degree elbow, etc.) to maintain adequate draft.

## **IMPORTANCE OF PROPER DRAFT**

Draft is the force which moves air from the appliance up through the chimney. The amount of draft in your chimney depends on the length of the chimney, local geography, nearby obstructions and other factors. Too much draft may cause excessive temperatures in the appliance. Inadequate draft may cause backpuffing into the room and ‘plugging’ of the chimney.

Inadequate draft will cause the appliance to leak smoke into the room through appliance and chimney connector joints.

An uncontrollable burn or excessive temperature indicates excessive draft.

Take into account the chimney’s location to insure it is not too close to neighbors or in a valley which may cause unhealthy or nuisance conditions.

## **PELLET VENT TYPE**

A UL listed 3-inch or 4-inch type “PL” pellet vent exhaust system must be used for installation and attached to the pipe connector provided on the back of the stove (use a 3-inch to 4-inch adapter for 4-inch pipe). Connection at back of stove must be sealed using Hi-Temp RTV. Use 4-inch vent if the vent height is over 12-feet or if the installation is over 2,500 feet above sea level.

We recommend the use of Simpson Dura-Vent® or Metal-Fab® pipe (if you use other pipe, consult your local building codes and/or building inspectors). Do not use Type-B Gas Vent pipe or galvanized pipe with this unit. The pellet vent pipe is designed to disassemble for cleaning and should be checked several times during the burning season. Pellet vent pipe is not furnished with the unit and must be purchased separately.

## **PELLET VENT INSTALLATION**

The installation must include a clean-out tee to enable collection of fly ash and to permit periodic cleaning of the exhaust system. 90-degree elbows accumulate fly ash and soot thereby reducing exhaust flow and performance of the stove. Each elbow or tee reduces draft potential by 30% to 50%.

All joints in the vent system must be fastened by at least 3 screws, and all joints must be sealed with Hi-Temp RTV silicone sealant to be airtight. The area where the vent pipe penetrates to the exterior of the home must be sealed with silicone or other means to maintain the vapor barrier between the exterior and the interior of the home.

Vent surfaces can get hot enough to cause burns if touched by children. Noncombustible shielding or guards may be required.

## Installation

### **PELLET VENT TERMINATION**

Do not terminate the vent in an enclosed or semi-enclosed area, such as; carport, garage, attic, crawl space, under a sundeck or porch, narrow walkway, or any other location that can build up a concentration of fumes.

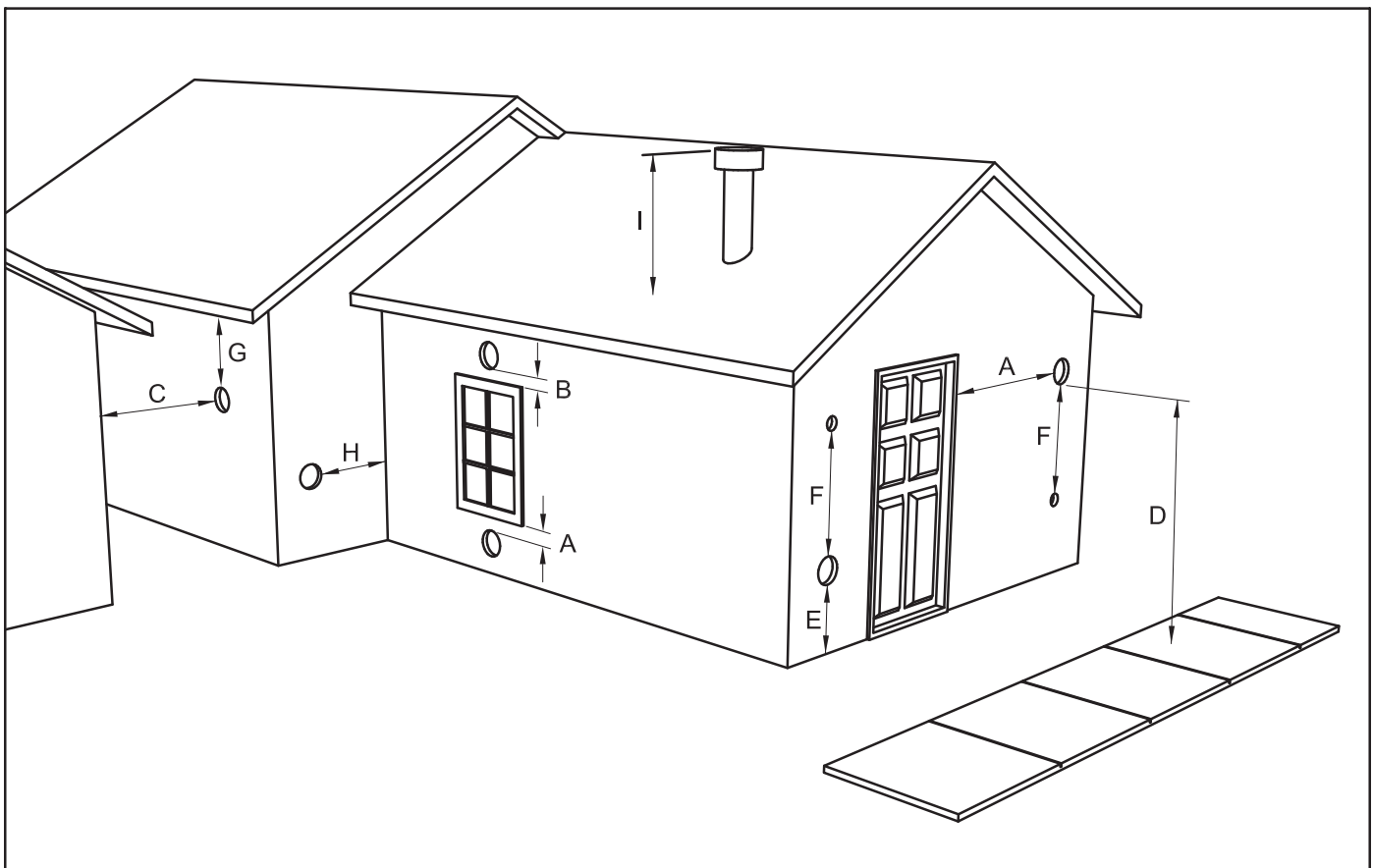
The termination must exhaust above the outside air inlet elevation.

The termination must not be located where it will become plugged by snow or other materials.

**Do not terminate the venting into an existing steel or masonry chimney.**

### **VENT TERMINATION CLEARANCES:**

- A) Minimum 4-foot (1.22m) clearance below or beside any door or window that opens.
- B) Minimum 1-foot (0.3m) clearance above any door or window that opens.
- C) Minimum 3-foot (0.91m) clearance from any adjacent building.
- D) Minimum 7-foot (2.13m) clearance from any grade when adjacent to public walkways.
- E) Minimum 2-foot (0.61m) clearance above any grass, plants, or other combustible materials.
- F) Minimum 3-foot (0.91m) clearance from an forced air intake of any appliance.
- G) Minimum 2-foot (0.61m) clearance below eaves or overhang.
- H) Minimum 1-foot (0.3m) clearance horizontally from combustible wall.
- I) Must be a minimum of 3 foot (0.91m) above the roof and 2 foot (0.61m) above the highest point or the roof within 10 feet (3.05m).



**FIGURE 6**  
VENT TERMINATION CLEARANCES

## Installation

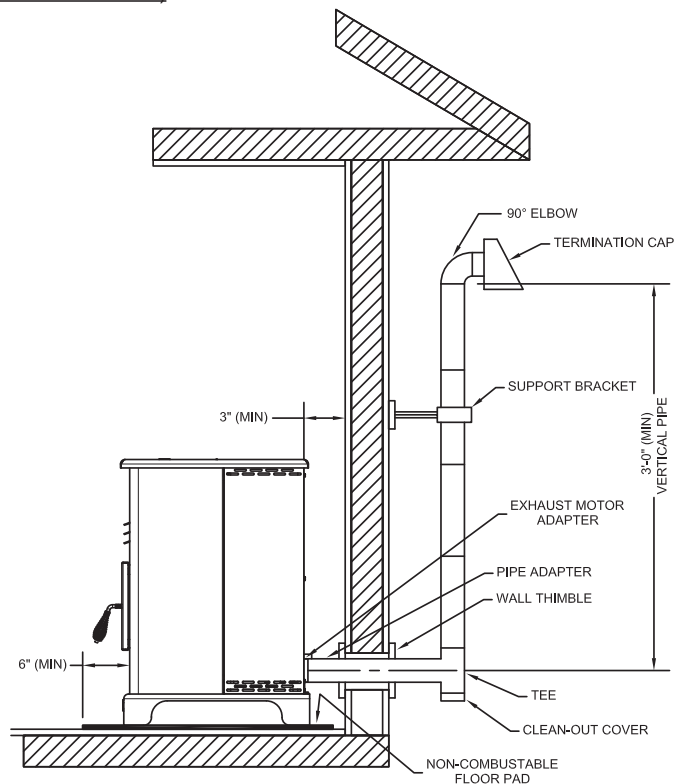
### **THROUGH THE WALL INSTALLATION** (RECOMMENDED INSTALLATION)

Canadian installations must conform to CAN/CSA-B365.

To vent the unit through the wall, connect the pipe adapter to the exhaust motor adapter. If the exhaust adapter is at least 18 in.(457mm) above ground level, a straight section of pellet vent pipe can be used through the wall.

Your heater dealer should be able to provide you with a kit that will handle most of this installation, which will include a wall thimble that will allow the proper clearance through a combustible wall. Once outside the structure, a 3 in.(76mm) clearance should be maintained from the outside wall and a clean out tee should be placed on the pipe with a 90-degree turn away from the house. At this point, a 3ft (0.91m) (minimum) section of pipe should be added with a horizontal cap, which would complete the installation (see FIGURE 7).

A support bracket should be placed just below the termination cap or one every 4ft (1.22m) to make the system more stable. If you live in an area that has heavy snowfall, it is recommended that the installation be taller than 3ft (0.91m) to get above the snowdrift line. This same installation can be used if your heater is below ground level by simply adding the clean-out section and vertical pipe inside until ground level is reached. With this installation you have to be aware of the snowdrift line, dead grass, and leaves. We recommend a 3ft (0.91m) minimum vertical rise on the inside or outside of the house.



**FIGURE 7**  
TYPICAL THROUGH THE WALL INSTALLATION

The “through the wall” installation is the least expensive and simplest installation. Never terminate the end vent under a deck, in an alcove, under a window, or between two windows. We recommend Simpson Dura-Vent® or Metal-Fab® kits.

### **THROUGH THE ROOF/CEILING INSTALLATION**

When venting the heater through the ceiling, the pipe is connected the same as through the wall, except the clean-out tee is always on the inside of the house, and a 3 in.(76mm) adapter is added before the clean-out tee.

You must use the proper ceiling support flanges and roof flashing (supplied by the pipe manufacturer; follow the pipe manufacturer’s directions). It is important to note that if your vertical run of pipe is more than 15ft (4.57m), the pellet vent pipe size should be increased to 4 in. (102mm) in diameter.

Do not exceed more than 4ft (1.22m) of pipe on a horizontal run and use as few elbows as possible. If an offset is required, it is better to install 45-degree elbows rather than 90-degree elbows.

# Installation

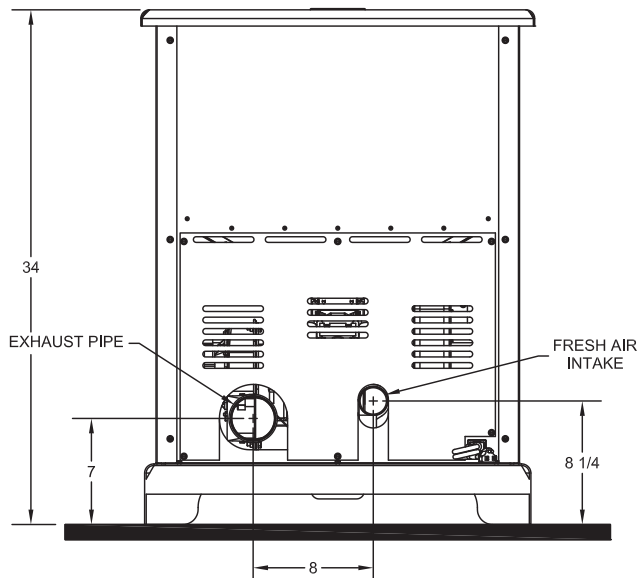
## **OUTSIDE AIR SUPPLY** (optional, unless installing in a mobile home)

Depending on your location and home construction, outside air may be necessary for optimal performance.

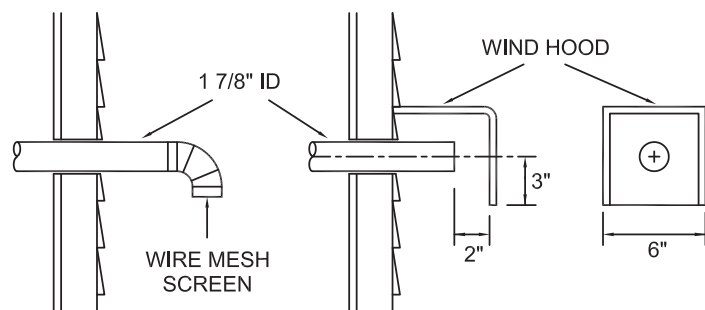
Metal pipe (solid or flexible) must be used for the outside air installation. PVC pipe is NOT approved and should NEVER be used.

A wind shield over the termination of the outside air pipe or a 90-degree elbow or bend away from the prevailing winds MUST be used when an outside air pipe is installed through the side of a building. The outside air termination MUST be at least 1ft (0.305m) away from the exhaust system termination.

The outside air pipe on your heater is 2" (50.8mm) OD. The outside air connecting pipe must be at least 2" (50.8mm) ID. The outside air connection used MUST NOT restrict the amount of air available to your heater. The outside air connecting pipe must be as short and free of bends as possible, and it must fit over, not inside, the outside air connection to the heater.



**FIGURE 8**  
EXHAUST/INLET LOCATIONS



**FIGURE 9**  
TYPICAL FRESH AIR TERMINATION

NOTE: Dimensions from the floor to your stoves inlet/exhaust pipes are approximate and may vary depending on your installation.

## **SPECIAL MOBILE HOME REQUIREMENTS**

△ **WARNING! - DO NOT INSTALL IN A SLEEPING ROOM**

△ **CAUTION! - THE STRUCTURAL INTEGRITY OF THE MOBILE HOME FLOOR, WALL, AND CEILING/ROOF MUST BE MAINTAINED.**

△ A working smoke detector must be installed in the same room as this product.

△ It must be installed at least 15 feet (4,57 m) from the appliance in order to prevent undue triggering of the detector when reloading.

In addition to the previously detailed installation requirements, mobile home installations must meet the following requirements:

- The heater must be permanently bolted to the floor through provided holes in the base.
- The heater must be electrically grounded to the steel chassis of the mobile home with 8 GA copper wire using a serrated or star washer to penetrate paint or protective coating to ensure grounding.
- Vent must be 3 or 4-inch "PL" Vent and must extend a minimum of 36 in.(914mm) above the roof line of the mobile home and must be installed using a UL listed ceiling fire stop and rain cap.
- When moving your mobile home, all exterior venting must be removed while the mobile home is being relocated. After relocation, all venting must be reinstalled and securely fastened.
- Outside Air is mandatory for mobile home installation. See your dealer for purchasing.
- Check with your local building officials as other codes may apply.

# Understanding your stove

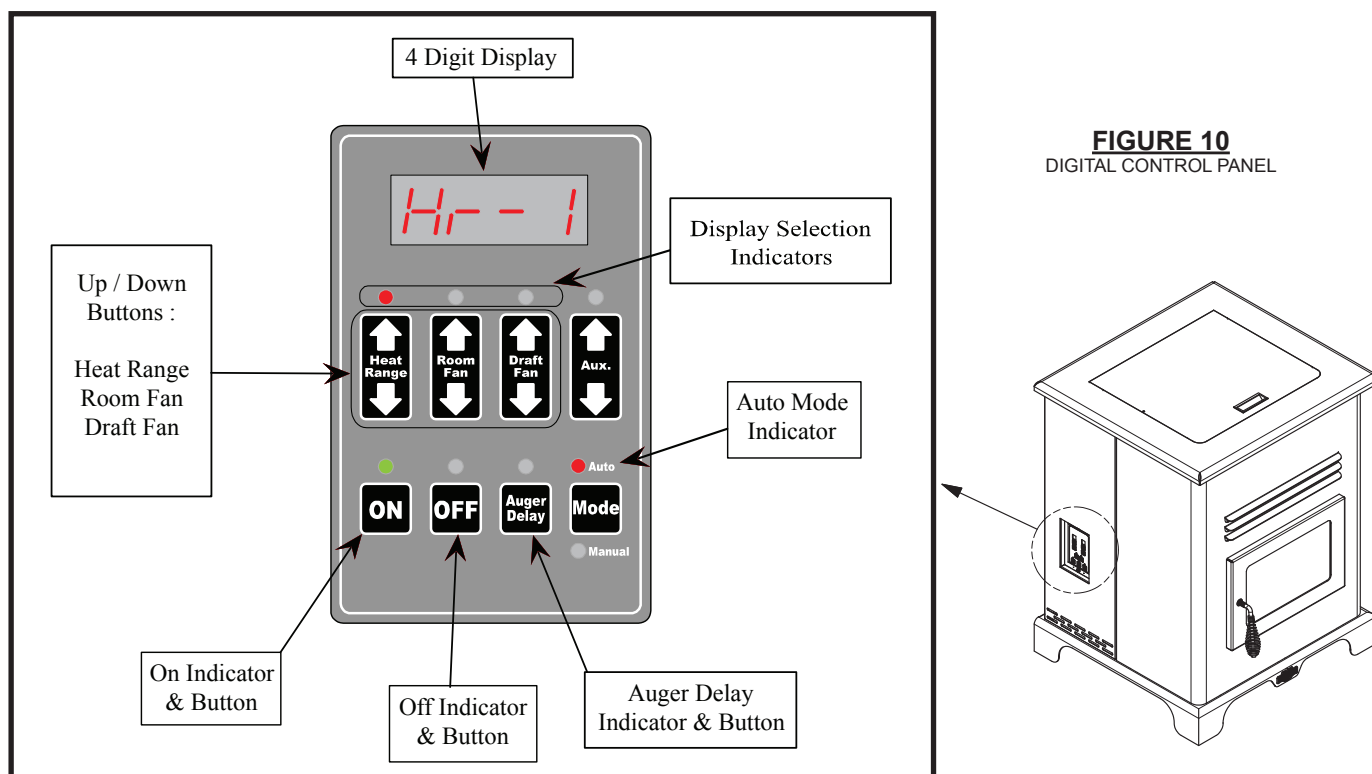
## HOW YOUR STOVE WORKS

Your pellet stove utilizes an inclined auger fuel feed system that is operated by a microprocessor controlled digital circuit board. The digital circuit board allows the inclined auger fuel feed system to run in a timer-based, non-continuous cycle; this cycling allows the auger to run for a predetermined period of seconds. The auger pushes pellets up a chute located at the front/bottom of the hopper which in turn falls through another chute into the burnpot. Your stove is equipped with an automatic ignition system that should ignite the fuel within 5-10 minutes from pressing the ON button. As pellets enter the burn pot and ignite, outside air is drawn across the fuel and heated during the combustion process which is then pulled through the heat exchanger by the exhaust motor or draft fan. As the stove heats up, room air is circulated around the heat exchanger by means of a room air blower, distributing warm air into the room.

The amount of heat produced by the stove is proportional to the rate of the fuel that is burned, and this rate is controlled by the "HEAT RANGE" setting. In order to maintain combustion of the fuel at a desired rate, the air provided to the burn chamber by the exhaust or draft fan must be maintained precisely. Too little air will result in a flame that is non-energetic or lazy. If the fuel continues to flow with too little air for long enough, the burn pot will fill with too much fuel and the fire will smother out. Too much air will result in a flame that is overactive or aggressive. The flame in this situation is typically very blue at the bottom and resembles a blow torch. If this situation continues, the fuel in the burn pot will be consumed and the fire will go out.

Matching the amount of air required for proper combustion to the fuel rate is the primary objective in effectively burning pellets of various brands and qualities in your stove. The air to fuel ratio can be adjusted to allow almost any fuel quality to burn effectively by following the procedures detailed in the remainder of this manual.

Because a forced draft pressure is required for the combustion process inside your stove, it is extremely important that the exhaust system be properly installed and maintained. And, that when operating your stove, you make sure that the viewing door is properly sealed.



**FIGURE 10**  
DIGITAL CONTROL PANEL

## Control Panel Overview

Turning the heater ON/OFF, as well as adjustments for the fuel feed rate and room fan speed are performed by pressing the appropriate button(s) on the control panel which is located on the lower left-hand side of your heater.

This unit can be changed between an automatic operation or a manual operation. The controller comes default in the automatic mode.

- **ON/OFF**

Pressing the “ON” button on the control panel will begin the start-up sequence for the heater. Fuel will begin to feed through the auger feed system then ignite after approximately 5 minutes.

Pressing the “OFF” button on the control panel will cause the heater to enter its shut-down sequence. The fuel feed system will stop pulling fuel from the hopper and, once the fire goes out and the heater cools down, the fans will stop running.

- **HEAT RANGE**

Pressing the “Heat Range” arrows, up or down, will adjust the amount of fuel being delivered to the burnpot.

- **DRAFT FAN**

The draft fan (exhaust) will come on as soon as the “ON” button is pressed. The fan will automatically adjust its speed in accordance to the heat range setting. However, this speed can be manually operated by pressing the “Draft Fan” arrows up or down. “Draft Fan” when pressed, the display will show “Df-A”, which is automatic. Press the arrows again to adjust fan speed. When the heater is in the manual mode, the optional thermostat will not properly control the unit. When adjusting the Draft Fan setting, try only 1 setting above or below the heat setting. It is better to leave the stove in the automatic mode.

- **ROOM FAN**

The room fan will come on once the unit has reached operating temperature. By pressing the “Room Fan” buttons, the display will show “Rf-A” which is automatic or “Rf-1” through “Rf-9” for manual settings. In auto mode, the room fan’s speed will automatically be adjusted in accordance with the heat range setting. By pressing the “Room Fan” up arrow, you can adjust the fan speed setting up to “Rf-9”. The room fan must operate at a level greater than or equal to the heat range setting.

- **AUX - USED TO RETURN THE STOVE TO THE FACTORY SETTINGS**

To return the stove to its original factory settings, press and hold the AUX UP and AUX DOWN buttons simultaneously for 3 seconds.

- **AUGER DELAY**

The “Auger Delay” button can be used to pause rotation of the Auger for approximately 1 minute. This can be cancelled by pressing the “ON” button. The “Auger Delay” is normally used only during the start up cycle to slow the fuel delivery down during the initial ignition.

- **MODE**

The “Mode” button is used to switch between manual and automatic mode. When in auto mode, the fans and auger will operate at preset intervals unless changed manually using the buttons mentioned above. When in manual mode, the draft fan (exhaust) will operate at full speed (100%).

During normal operation, the unit is constantly monitored for problems. In the event of an error condition, the unit will stop and an error will be displayed. See the list of error codes found at the end of this manual.

## **UNIT PREPARATION**

After carefully unpacking and reading the instructions for installing your stove, you will need to perform the following steps:

- Attach the included spring handle to the door handle by screwing it on in a respective location.
- Attach the electrical cord to the back of the stove first; then plug it into a 110-volt outlet (an outlet surge protector is highly recommended).

## **PERFORMING AN INITIAL TEST**

This test is used at the factory where the stoves are assembled to test the functionality of the control and the stove before the unit is shipped. To perform this test, press and hold the OFF and AUGER DELAY buttons simultaneously for 3 seconds. To advance through the test, press any key unless otherwise noted in the test step.

- 1.) Exhaust Fan Output Test – The display will show “drft”. The exhaust fan is turned on full then reduced to a level just above the typical minimum pressure switch setting. The ON LED indicates whether the pressure sensor is detected. If the pressure switch is not detected, the fan ramps to full on for two seconds then returns to the previously established level if the pressure switch closes. If the Draft Fan Fuse is not blown and the fuse detection circuit is functioning, the Draft Fan LED will be lit and the other three top row LEDs will be off.
- 2.) Room Fan Output Test - The display will show “rfan”. The room fan is turned on full. If the Room Fan Fuse is not blown and the fuse detection circuit is functioning, the Room Fan LED will be lit and the other three top row LEDs will be off.
- 3.) Ignitor Output Test - The display will show “ignr”. The ignitor is turned on. If the Ignitor (AUX) Fuse is not blown and the fuse detection circuit is functioning, the Aux LED will be lit and the other three top row LEDs will be off.
- 4.) Auger Output Test - The display will show “augr”. The auger motor is turned on full. If the Auger Fuse is not blown and the fuse detection circuit is functioning, the Heat Range LED will be lit and the other three top row LEDs will be off.
- 5.) Hopper Switch Test – The display will show “hppr”. The “ON” LED is lit. If the hopper switch is open (lid is open), the “HEAT RANGE” LED will turn on. If the lid is closed, the “HEAT RANGE” LED will be off.
- 6.) Thermostat Input Test – The display will show “stat”. If the thermostat input is closed, the ON LED will turn on, otherwise it will be off.
- 7.) Flue gas Thermistor Test – The display will show the flue gas temperature in degrees F.
- 8.) AC Frequency Test - Displays the measured AC Frequency in hertz (59-60) followed by the letter ‘H’.
- 9.) Watchdog Reset – The watchdog timer is tested to ensure that the board can be reset. The message “BYE” is displayed until the watchdog resets the board.

## **PERFORMING A “DRY RUN”**

Perform a “dry run” on your stove prior to making the exhaust/inlet connections and starting your stove for the first time.

- 1.) Check that there is NO fuel or ANY foreign material in the hopper or burn-pot.
- 2.) Check that the viewing door and hopper lid is securely closed.
- 3.) Press the “ON” button on the control panel. Verify that the ON LED is lit (blinking) and the display shows HR-1. Also the LED above the HEAT RANGE and the AUTO MODE indicator should be lit. If any other LED’s are lit or flashing, consult the “Display Indicators” in this manual.
- 4.) You should hear the exhaust (draft) fan running immediately and the auger should begin turning continuously for 1 minute.
- 5.) The auto fuel ignitor (located inside the backwall of the burnpot) should begin to glow red/orange after 3 minutes.
- 6.) The Room Fan will not operate at this time since the unit must reach a factory preset temperature.

DO NOT open the viewing door, the **auto-start igniter** will get very hot during this test. The stove will automatically shut down after approximately 23 minutes.



## START-UP PROCEDURE

- △ **DO NOT USE CHEMICALS OR FLUIDS TO START THE FIRE - Never use gasoline, gasoline-type lantern fuel, kerosene, charcoal lighter fluid, or similar liquids to start or “freshen up” a fire in this stove. Keep all such liquids well away from the stove while it is in use.**
  - △ **DO NOT BURN GARBAGE OR FLAMMABLE FLUIDS SUCH AS GASOLINE, NAPHTHA, OR ENGINE OIL.**
  - △ **HOT WHILE IN OPERATION. KEEP CHILDREN, CLOTHING AND FURNITURE AWAY. CONTACT MAY CAUSE SKINS BURNS.**
  - △ **DO NOT USE GRATES OR ELEVATE THE FIRE. BUILD FIRE DIRECTLY ON HEARTH.**
  - △ **DO NOT OVERFIRE - IF HEATER OR CHIMNEY CONNECTOR GLOWS, YOU ARE OVERFIRING.**
  - △ **Attempts to achieve heat output rates that exceed heater design specifications can result in permanent damage to the heater.**
- 1.) Verify that the hopper is clean and free of foreign matter.
  - 2.) Verify that all of the required exhaust/inlet connections have been made in accordance with this manual and that the stove is plugged into an outlet (an outlet surge protector is highly recommended).
  - 3.) Fill the hopper with wood pellets; do not allow any part of the bag or any other foreign material into the hopper, as this may jam the auger.
  - 4.) Ensure that all pellet matter is cleared from the hopper seating surface.
  - 5.) Close the hopper lid. **The unit WILL NOT feed fuel with the hopper lid open.**
  - 6.) Make sure that the viewing door is securely closed (the safety pressure switch will not allow the stove to feed fuel if there is no draft pressure inside the stove) .
  - 7.) Press the “**ON**” button on the control pad and set the “**HEAT SETTING**” to your desired setting.
  - 8.) The stove will begin to feed fuel and the **auto-start igniter** will ignite the fuel in approximately 5 minutes.

Once a consistent flame has been established, you can adjust the “HEAT RANGE” and “BLOWER SPEED” on the control pad to your desired settings. (Note: The distribution blower will not function until the heat exchanger in the stove reaches the factory preset temperature).

**First Fire:** Adjust the “HEAT RANGE” and “BLOWER SPEED” to a “3” setting and allow the stove to operate in this manner for approximately three (3) hours (or more if necessary), allowing the stove to “cure out” as the paint and oils from the manufacturing process burn off. We recommend that you open doors and windows in your home during this process. Adjust setting to desired setting.

## SHUT DOWN PROCEDURE

**WARNING: Never shut down this unit by unplugging it from the power source.**

Press the “**OFF**” button on the control pad to put the stove in shut down mode. At this time, the red light above the pad will illuminate. Once this is done, the auger will stop feeding pellets, but the distribution blower and exhaust blower will continue to operate. When the internal temperature of the unit drops below the factory preset temperature, the distribution blower and exhaust blower will cease to operate. The red light will then shut off and the unit will be completely shut down.

The hotter the unit is during its operation, the longer it will take for the stove to complete the shut down cycle. If the stove stays on for more than 2 hours after pressing the “**OFF**” button and you are sure that the fire is out, the stove can be unplugged from the outlet. After approximately 10 seconds, the unit can be re-connected to the power source and the control board will be reset.

If a chimney or creosote fire occurs, press the “**OFF**” button immediately. Do not unplug the unit.



### **DAILY OPERATION**

- △ **The hopper and stove top will be hot during operation; therefore, you should always use some type of hand protection when refueling your stove.**
- △ **Never place your hand near the auger while the stove is in operation.**

This unit should be filled when the hopper level drops below 3-inches.

In the event of a **power outage**, the stove WILL NOT function. It is very important that unit be vented properly (with outside air), as the natural draft is needed to clear the smoke from the stove during a power outage. If the unit was **“ON”** when the power outage occurred, one of the following will take place:

- 1.) If the stove is still warm, it will resume feeding fuel and continue to operate normally. If the fire has gone out, you will have to press the **“OFF”** button and then the **“ON”** button again to begin a new start-up sequence.
- 2.) If the stove has cooled-off, it will reset to its **“OFF”** condition. At this point, you may press the **“ON”** button and the unit will begin a new start-up sequence.

NOTE: The unit will also shut down in the event of an exhaust blower failure; if this is the case, the unit will not re-start and you must contact Customer Service at (800) 750-2723.

### **SAFETY AND CONVENIENCE FEATURES**

Your pellet stove incorporates a **safety pressure switch** that helps ensure that everything is in proper working order before feeding fuel to the burn pot. Because the stove works using an induced draft pressure, the stove will not continue to operate if the viewing door is left open; or if the exhaust blower fails or the exhaust system is blocked.

The **temperature limit control** (Thermistor) will prevent your stove from operating at abnormally high temperatures. Should the stove temperature begin to approach the factory pre-set limit, the temperature limit control will automatically slow down the auger feed rate until the temperature returns to a normal condition. Even though the heater will operate on the highest setting, we recommend to operate your heater on this setting for only a short period of time. (1 hour etc.)

Your pellet stove also includes an **auto-start igniter** as a standard feature. The use of other fire starter materials (wood chips, starter gel, etc.) is not necessary. By simply pressing the **“ON”** button on the digital control panel, your stove will begin to feed fuel and automatically start within 5 minutes.

### **TAMPER WARNING**

This wood heater has a manufacturer-set minimum low burn rate that must not be altered. It is against federal regulations to alter this setting or otherwise operate this wood heater in a manner inconsistent with operating instructions in this manual.

## Maintenance

- △ **Failure to clean and maintain this unit as indicated can result in poor performance and safety hazards.**
- △ **Unplug your stove's electrical cord prior to removing the back panel or opening the exhaust system for any inspection, cleaning, or maintenance work.**
- △ **Never perform any inspections, cleaning, or maintenance on a hot stove.**
- △ **Do not operate stove with broken glass , leakage of flue gas may result.**
- △ **WARNING THE CHIMNEY AND CHIMNEY CONNECTOR MUST BE KEPT IN GOOD CONDITION AND CLEAN.**

### **EXHAUST SYSTEM**

**Creosote Formation** – When any wood is burned slowly, it produces tar and other organic vapors, which combine with expelled moisture to form creosote. The creosote vapors condense in the relatively cool chimney flue or a newly started fire or from a slow-burning fire. As a result, creosote residue accumulates on the flue lining. When ignited, this creosote makes an extremely hot fire, which may damage the chimney or even destroy the house. Despite their high efficiency, pellet stoves can accumulate creosote under certain conditions.

**Fly Ash** – This accumulates in the horizontal portion of an exhaust run. Though non-combustible, it may impede the normal exhaust flow. It should therefore be periodically removed.

**Inspection and Removal** – The chimney connector and chimney should be inspected annually or per ton to determine if a creosote or fly ash build-up has occurred. If creosote has accumulated, it should be removed to reduce the risk of a chimney fire. Inspect the system at the stove connection and at the chimney top. Cooler surfaces tend to build creosote deposits quicker, so it is important to check the chimney from the top as well as from the bottom. The creosote should be removed with a brush specifically designed for the type of chimney in use. A qualified chimney sweep can perform this service. It is also recommended that before each heating season the entire system be professionally inspected, cleaned and, if necessary, repaired. To clean the chimney, disconnect the vent from the stove.

### **INTERIOR CHAMBERS**

Periodically remove and clean the burnpot and the area inside the burnpot housing. In particular it is advisable to clean out the holes in the burnpot to remove any build up that may prevent air from moving through the burn pot freely. Remove the two(2) plates on each side of the burnpot housing and clean out that rear chamber. After Ash removal re-secure the two(2) plates on each side of the burnpot.

If a vacuum is used to clean your stove, we suggest using a vacuum designed for ash removal. Some regular vacuum cleaner (i.e. shop vacs) may leak ash into the room.

### **ASH DISPOSAL**

Ashes should be placed in a metal container with a tight fitting lid. The closed container of ashes should be moved outdoors immediately, well away from all combustible materials, pending final disposal. If the ashes are disposed of by burial in soil or otherwise locally dispersed, they should be retained in the closed container until all cinders have been thoroughly cooled. The container shall not be used for other trash or waste disposal.

### **SMOKE AND CO MONITORS**

Burning wood naturally produces smoke and carbon monoxide(CO) emissions. CO is a poisonous gas when exposed to elevated concentrations for extended periods of time. While the modern combustion systems in heaters drastically reduce the amount of CO emitted out the chimney, exposure to the gases in closed or confined areas can be dangerous. Make sure you stove gaskets and chimney joints are in good working order and sealing properly to ensure unintended exposure. It is recommended that you use both smoke and CO monitors in areas having the potential to generate CO.

### **CHECK AND CLEAN THE HOPPER**

Check the hopper periodically to determine if there is any sawdust or pellets that are sticking to the hopper surface. Clean as needed.

### **DOOR AND GLASS GASKETS**

Inspect the main door and glass window gaskets periodically. The main door may need to be removed to have frayed, broken, or compacted gaskets replaced by your authorized dealer. The glass gasket has a gap at the bottom for the airwash. This unit's door uses a 5/8" diameter rope gasket.

## Maintenance

### **BLOWER MOTORS**

Clean the air holes on the motors of both the exhaust and distribution blowers annually. Remove the exhaust blower from the exhaust duct and clean out the internal fan blades as part of your fall start-up.

### **PAINTED SURFACES**

Painted surfaces may be wiped down with a damp cloth. If scratches appear, or you wish to renew your paint, contact your authorized dealer to obtain a can of suitable high-temperature paint.

### **GLASS - Cleaning, Removal and Replacement of Broken Door Glass**

Cleaning - We recommend using a high quality glass cleaner. Should a build up of creosote or carbon accumulate, you may wish to use 000 steel wool and water to clean the glass. DO NOT use abrasive cleaners. DO NOT perform the cleaning while the glass is HOT.

In the event you need to replace the glass, remove the four(4) screws and glass retainers. While wearing leather gloves (or any other gloves suitable for handling broken glass), carefully remove any loose pieces of glass from the door frame. Dispose of all broken glass properly. ONLY high temperature ceramic glass of the correct size and thickness may be used. DO NOT substitute alternative materials for the glass. Contact your authorized dealer to obtain this glass. Re-install the new glass by re-attaching the retainers and screws, careful not to overtighten the screws for this could damage the glass.

DO NOT abuse the door glass by striking, slamming or similar trauma. Do not operate the stove with the glass removed, cracked or broken.

### **FALL START UP**

Prior to starting the first fire of the heating season, check the outside area around the exhaust and air intake systems for obstructions. Clean and remove any fly ash from the exhaust venting system. Clean any screens on the exhaust system and on the outside air intake pipe. Turn all of the controls on and make sure that they are working properly. This is also a good time to give the entire stove a good cleaning throughout.

### **SPRING SHUTDOWN**

After the last burn in the spring, remove any remaining pellets from the hopper and the auger feed system. Scoop out the pellets and then run the auger until the hopper is empty and pellets stop flowing (this can be done by pressing the "ON" button with the viewing door open). Vacuum out the hopper. Thoroughly clean the burnpot, and firebox. It may be desirable to spray the inside of the cleaned hopper with an aerosol silicone spray if your stove is in a high humidity area. The exhaust system should be thoroughly cleaned.

### **VENT AND FLUE**

When wood is burned slowly, it produces tar and other organic vapors and these combine with expelled moisture to form creosote. The creosote vapors condense in the relatively cool chimney flue associated with a slow burning fire. As a result, creosote residue accumulates on the flue lining. When ignited, this creosote can result in an extremely hot fire;

The chimney should be inspected periodically during the heating season to determine if a creosote build-up has occurred. If a significant layer of creosote has accumulated (3 mm or more) it should be removed to reduce the risk of a chimney fire.

#### **CAUTION:**

**This wood heater needs periodic inspection and repair for proper operation. It is against federal regulations to operate this wood heater in a manner inconsistent with operating instructions in this manual.**

## Trouble Shooting

- △ **Disconnect the power cord before performing any maintenance! NOTE: Turning the ON/OFF Switch to "OFF" does not disconnect all power to the electrical components of the stove.**
- △ **Never try to repair or replace any part of the stove unless instructions for doing so are given in this manual. All other work should be done by a trained technician.**

<b>PROBLEM</b>	<b>CAUSE:</b> To rich air/fuel mixture
Orange, lazy flame_excessive fuel build-up in the burnpot.	<ul style="list-style-type: none"> <li>• Clean out the burnpot and burnpot housing.</li> <li>• Make sure that the viewing door is closed and sealed properly. If not, adjust door catch and/or replace door gaskets.</li> <li>• Check that all outside connections are clear of any obstructions.</li> <li>• Check the exhaust system; clean as needed.</li> </ul>
<b>PROBLEM</b>	<b>CAUSE:</b> Burnpot burns out of fuel
Fire goes out or stove shuts down.	<ul style="list-style-type: none"> <li>• Hopper is empty, refill the hopper.</li> <li>• Loss of draft pressure. Make sure that the viewing door is closed and sealed properly. If not, adjust door catch and/or replace door gaskets. Check that all outside connections are clear of any obstructions. Check the exhaust system; clean as needed.</li> <li>• Check that the pressure switch connection to the firebox is free of ash or clear of obstructions.</li> <li>• Auger system is jammed or there is a "bridging" of the fuel in the hopper, preventing fuel from flowing into the auger feed system.</li> </ul>
<b>PROBLEM</b>	<b>CAUSE:</b> Auto-Start Igniter fails to ignite the fuel in the burn pot.
Stove does not start a fire when the "ON" button is pushed.	<ul style="list-style-type: none"> <li>• Turn the stove "OFF". Clear the unburnt fuel from the burnpot and try again.</li> <li>• Check the pellet quality. Replace if moist, wet, or dirty.</li> <li>• Loss of draft pressure. Make sure that the viewing door is closed and sealed properly. If not, adjust door catch and/or replace door gaskets. Check that all outside connections are clear of any obstructions. Check the exhaust system; clean as needed.</li> <li>• Check that the auto-start igniter is not blocked with ash or soot. (The igniter is located behind the burnpot on the back wall of the firebox.)</li> <li>• Check that the pressure switch connection to the firebox is free of ash or clear of obstructions.</li> <li>• The auto-start igniter gets "red hot" during start-up. If you can not visibly see the igniter glowing during start-up, then the igniter may need to be replaced or there is a problem with the electrical control system.</li> </ul>

## Error Codes and Display Indicators

Error Code	Error Description	Possible Causes
<b>Err1</b>	The high limit temperature sensor has tripped.	<ul style="list-style-type: none"> <li>• Inadequate ventilation.</li> <li>• Room fan failure.</li> <li>• Exhaust Blockage.</li> <li>• Electrical Open in wiring.</li> </ul>
<b>Err2</b>	Stove ran out of fuel during normal operation.	<ul style="list-style-type: none"> <li>• Hopper Empty.</li> <li>• Auger output failure or jam.</li> <li>• Flame of fuel quality caused fire to burn too slowly or go out.</li> <li>• Electrical Open in wiring.</li> </ul>
<b>Err3</b>	The stove was unable to reach the Room Fan On temperature within the startup time.	<ul style="list-style-type: none"> <li>• Flame or Fuel quality caused the fire to burn too slowly or go out.</li> <li>• Auger output failure or jam Hopper empty on startup.</li> </ul>
<b>Err4</b>	The power failed while the stove was hot, and when power was restored, the fire was out.	<ul style="list-style-type: none"> <li>• Electrical Open in wiring.</li> <li>• Power loss.</li> </ul>
<b>Err5</b>	The Auger output fuse has blown.	<ul style="list-style-type: none"> <li>• Auger motor jammed or bad.</li> </ul>
<b>Err6</b>	The Ignitor output fuse has blown.	<ul style="list-style-type: none"> <li>• Ignitor shorted out or bad.</li> </ul>
<b>Err7</b>	The Draft Fan (Exhaust Fan) output fuse has blown.	<ul style="list-style-type: none"> <li>• Draft Fan motor jammed or bad.</li> </ul>
<b>Err8</b>	The Room Fan output fuse has blown.	<ul style="list-style-type: none"> <li>• Room fan motor jammed or bad.</li> </ul>

### **DISPLAY INDICATORS**

Several situations or events are indicated in normal operation by blinking display indicators or segments in the display:

**Flashing On Indicator:** This means that the stove is in the “Start Up” state waiting for either a 3 minute time-out to begin burning or for the stove to reach the warm temperature whichever comes first.

**Flashing Off Indicator:** This indicates that the stove is in the “Shutdown” state waiting for the OFF button, or for a 15 minute period after the stove was turned off, or for the stove to cool down, or for the door to be closed.

**Flashing dash in Heat Range Display:** This indicates that the stove is in the normal run mode and is ramping from the current heat range setting to the target heat range setting. Once the ramp is complete, the dash will stop flashing. For ramping from heat range 1 to 5, the default time is 12 minutes (with a 90 second ramp time).

**Flashing Automatic Mode Indicator:** This indicates that the stove is in normal operation and is running in the automatic mode. However, either the Draft Fan or room air fan settings are manually configured.

**Flashing Draft Fan Setting Indicator:** This indicates that the stove is in normal operation and that the vacuum sensor detects a loss of pressure either because the door is open or because there is a negative pressure in the room with respect to the exhaust.

**Flashing Aux Indicator:** This indicates that the ignitor is on during the lighting stage.

**Quickly (changes twice per second) Flashing Heat Range Setting Indicator:** This indicates that the stove is in normal operation and that an over-temperature condition exists causing the fuel to stop.

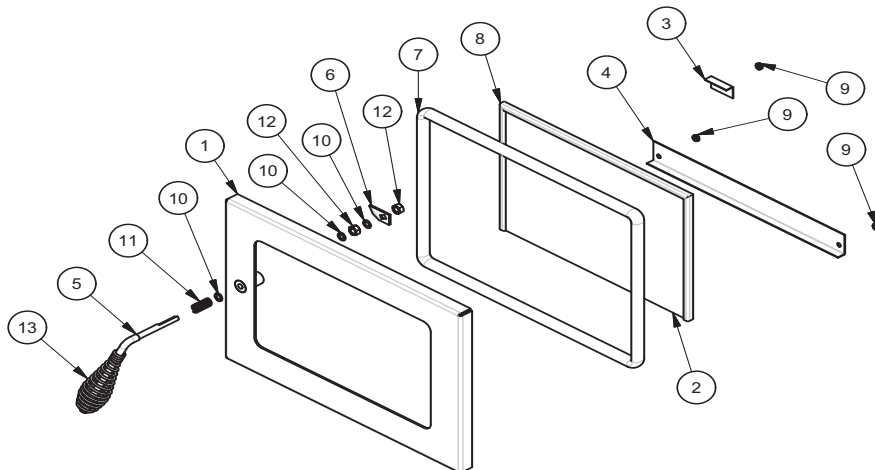
**Slowly (changes once per second) Flashing Heat Range Setting Indicator:** This indicates that the stove is in a cut back condition in an attempt to prevent an over-temperature shutdown.

### **FACTORY DEFAULTS**

To return the control to its original factory default settings, press and hold the AUX UP and AUX DOWN buttons together for three seconds.

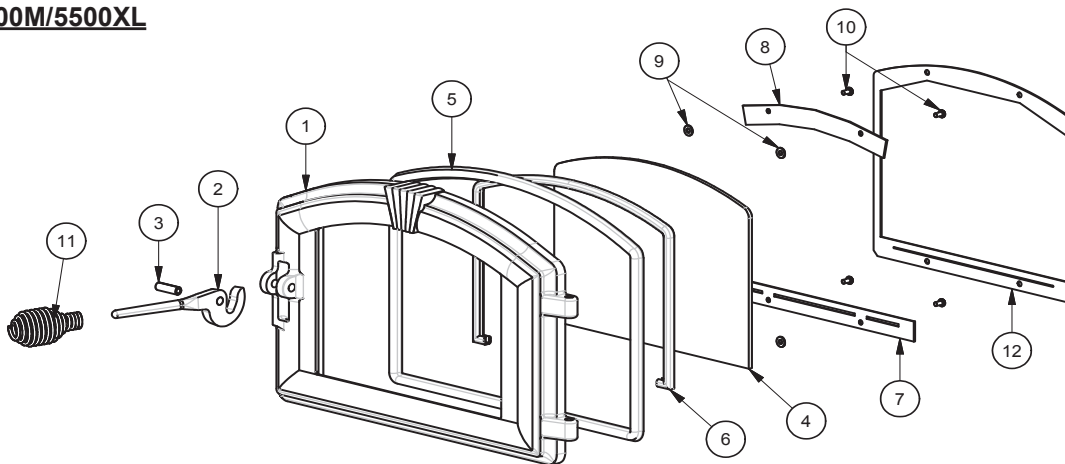
# Parts Diagram/List models 5500, 5500M & 5500XL

## Model 5500



PARTS LIST							
Item	Part No.	Title	Qty.	Item	Part No.	Title	Qty.
1	25490	Door Weldment	1	8	88087	Glass Gasket	3.75 ft
2	891166	Ceramic Glass	1	9	83297	8-32 Hex Nut	3
3	891188	Glass Retainer, Top	1	10	83547	Washer	3
4	891186	Glass Retainer, Bottom	1	11	83903	Spring	1
5	25517	Handle, Door	1	12	83546	5/16 x 18 Hex Jamb Nut	2
6	891168	Latch, Door	1	13	891167	Spring Handle	1
7	88082	3/4" Rope Gasket	4.3 ft				

## Model 5500M/5500XL

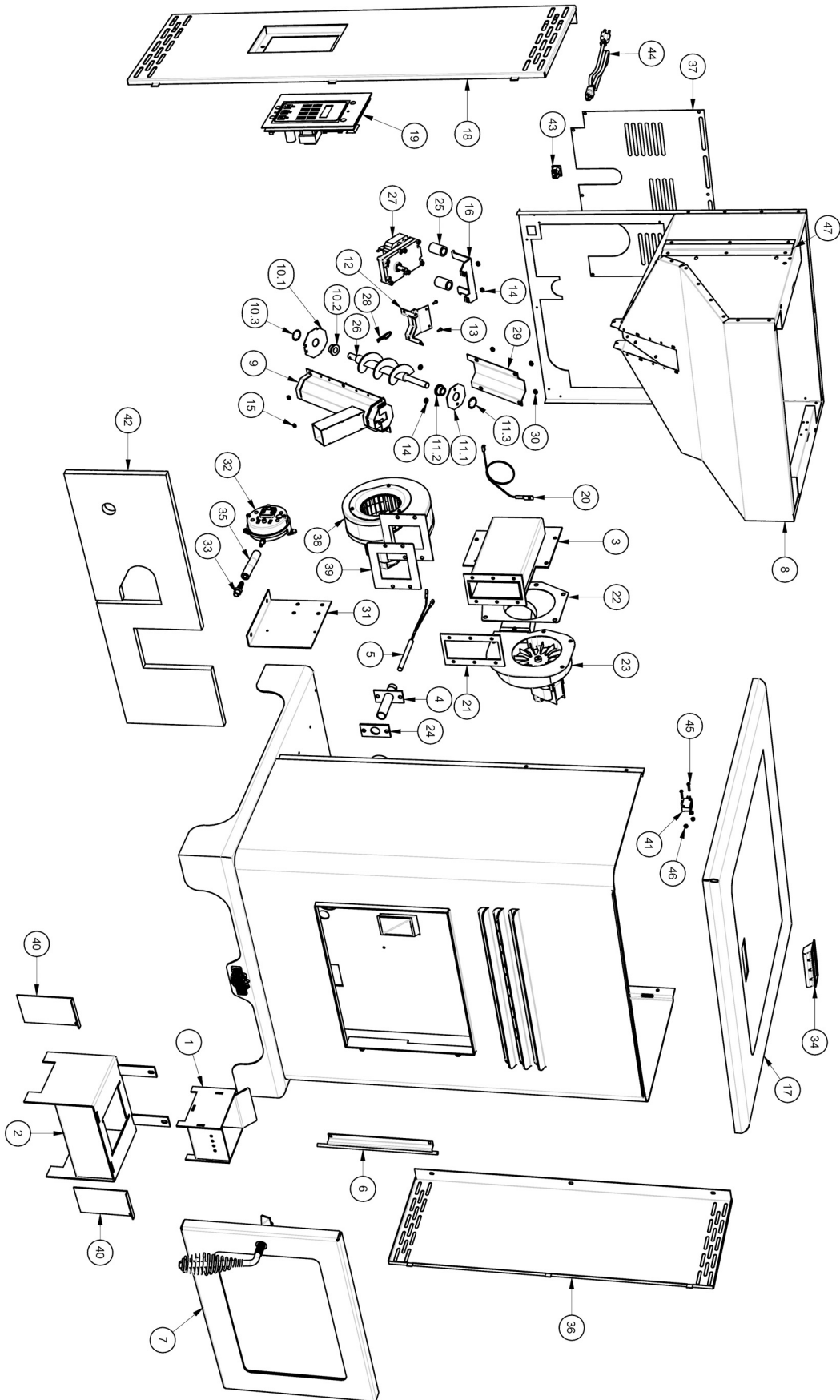


PARTS LIST							
Item	Part No.	Title	Qty.	Item	Part No.	Title	Qty.
1	25507	Feed Door	1	9	83278	Washer	4
2	25492	Handle, Door	1	10	83202	Machine Screw	4
3	83506	3/8 x 1 1/4 Roll Pin	1	11	89574	Spring Handle	1
4	891067	Door Glass w/ Ashley Logo	1	12	25393	Retainer, Glass (Alternate For 7 & 8)	1
5	88066	5/8" Rope Gasket	4.5 ft	N/S	25080MB	Door Latch	1
6	88087	Glass Gasket (1 x 1 3/16)	3.5 ft	N/S	83508	5/16-18 x 1-3/4 Bolt	1
7	25520	Bottom Glass Retainer	1	N/S	83338	5/16-18 Lock-Nut	1
8	25521	Top Glass Retainer	1	N/S - Not Shown			



# Parts Diagram model 5500, 5500M and 5500XL

Note: All repair parts (other than Cabinet Sides, Hopper Assy., and Door Assy.) are same for models 5500, 5500M and 5500XL.



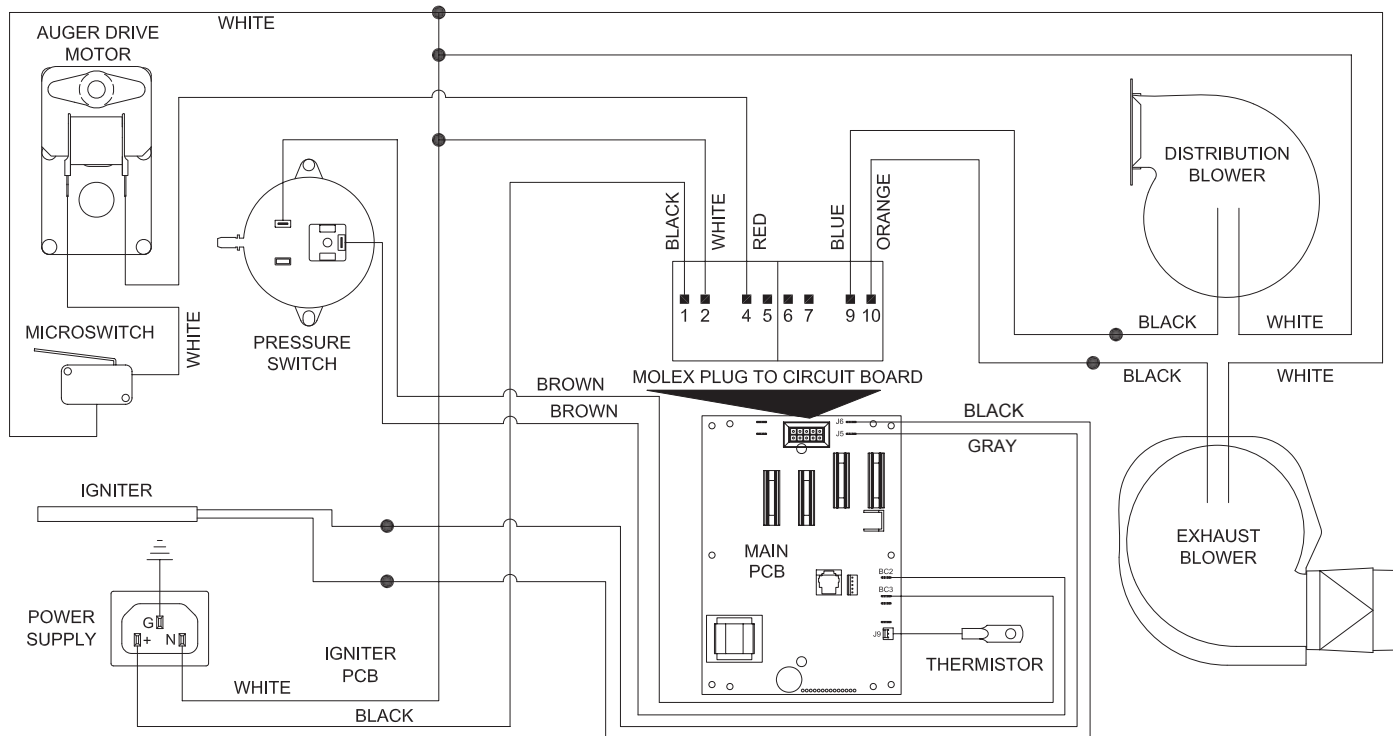
## Parts List model 5500/5500M/5500XL

PARTS LIST							
Item	Part No.	Title	Qty.	Item	Part No.	Title	Qty.
1	86624	Burnpot Assembly	1	23	80473	Blower, Exhaust	1
2	86625	Housing Assy, Burnpot	1	24	88118	Gasket, Igniter Flange	1
3	86628	Weldment, Exhaust Duct	1	25	891169	Hose, Heater	1.5in
4	86633	Weldment, Igniter Tube	1	26	891141	Auger	1
5	80619	Igniter Cartridge	1	27	80488	Drive Motor	1
6	25506	Weldment, Door Hinge	1	28	83529	Hairpin	1
7	69512	Door Assembly	1	29	891180	Cover, Auger	1
8	69518	Hopper Assembly (5500)	1	30	83297	8-32 Hex Nut	4
-	69522	Hopper Assembly (5500XL)	1	31	891187	Bracket, Pressure Switch/PCB	1
9	891164	Weldment Auger Housing	1	32	80549	Pressure Switch	1
10	69513	Assy., Bushing Retainer Bottom	1	33	89586	Nipple	1
10.1	891190	Plate, Bottom Bushing	1	34	891148	Handle, Plastic	1
10.2	891132	Bushing	1	35	891121	Silicone Tube	3 in.
10.3	83534	Retaining Ring	1	36	25512	Side, Right Cabinet (5500)	1
11	69514	Assy., Bushing Retainer Top	1	-	25516	Side, Right Cabinet (5500XL)	1
11.1	891189	Plate, Top Bushing	1	37	25510	Panel, Access	1
11.2	891132	Bushing	1	38	80472	Blower, Distribution	1
11.3	83534	Retaining Ring	1	39	88106	Gasket, Distribution Blower	1
12	891161	Weld., Bot. Plate Retainer	1	40	25513	Cleanout, Ash	2
13	83543	6-32 x 3/8 Machine Screw	2	41	80491	Microswitch	1
14	83356	10-32 Hex Nut	4	42	88119	Insulation, Blanket	2
15	83299	6-32 Hex Nut	2	43	80462	Receptacle, 3 Prong	1
16	891195	Bracket, Drive Motor	1	44	80461	Power Supply Cord	1
17	25498	Weldment, Top Lid	1	45	83516	#4-40 Machine Screw	2
18	25511	Weld, Left Side Cabinet (5500)	1	46	83542	#4-40 Nylon Lock Nut	2
-	25515	Weld, Left Side Cabinet (5500XL)	1	47	89390A	Rubber Grommet	1
19	80558	Circuit Board Assembly	1	N/S	80548	Wiring Harness	1
20	80480	Thermistor	1				
21	88117	Gasket, Exhaust Duct	1				
22	88100	Gasket, Exhaust Blower	1				

**IN ORDER TO MAINTAIN WARRANTY, COMPONENTS MUST BE REPLACED USING ORIGINAL MANUFACTURERS PARTS PURCHASED THROUGH YOUR DEALER OR DIRECTLY FROM THE APPLIANCE MANUFACTURER.  
USE OF THIRD PARTY COMPONENTS WILL VOID THE WARRANTY.**



## Wiring Diagram



## How to Order Repair Parts

THIS MANUAL WILL HELP YOU OBTAIN EFFICIENT, DEPENDABLE SERVICE FROM YOUR HEATER, AND ENABLE YOU TO ORDER REPAIR PARTS CORRECTLY.

KEEP THIS MANUAL IN A SAFE PLACE FOR FUTURE REFERENCE.

WHEN WRITING, ALWAYS GIVE THE FULL MODEL NUMBER WHICH IS ON THE NAMEPLATE ATTACHED TO THE HEATER.

WHEN ORDERING REPAIR PARTS,  
ALWAYS GIVE THE FOLLOWING INFORMATION  
AS SHOWN IN THIS LIST:

1. THE PART NUMBER
2. THE PART DESCRIPTION
3. THE MODEL NUMBER: \_\_\_\_\_
4. THE SERIAL NUMBER: \_\_\_\_\_



United States Stove Company  
227 Industrial Park Road  
P.O. Box 151  
South Pittsburg, TN 37380  
(800) 750-2723  
WWW.USSTOVE.COM