

# AH2210/AH2510 Series Aluminum Attic Ladder

## Serie AH2210/AH2510 Escalera de ático de aluminio

## Séries AH2210CA/AH2510CA Échelle de grenier en aluminium

### Installation Instructions / Instrucciones de instalación Instructions d'installation

**FAILURE TO COMPLY WITH ALL  
INSTRUCTIONS MAY RESULT IN  
SERIOUS INJURY**

**SI NO SE CUMPLE CON TODAS  
LAS INSTRUCCIONES, PUEDEN  
RESULTAR EN LESIONES GRAVES.**

**LE NON-RESPECT DE CES  
INSTRUCTIONS PEUT ENTRAÎNER  
UNE BLESSURE GRAVE**

#### Table of Contents

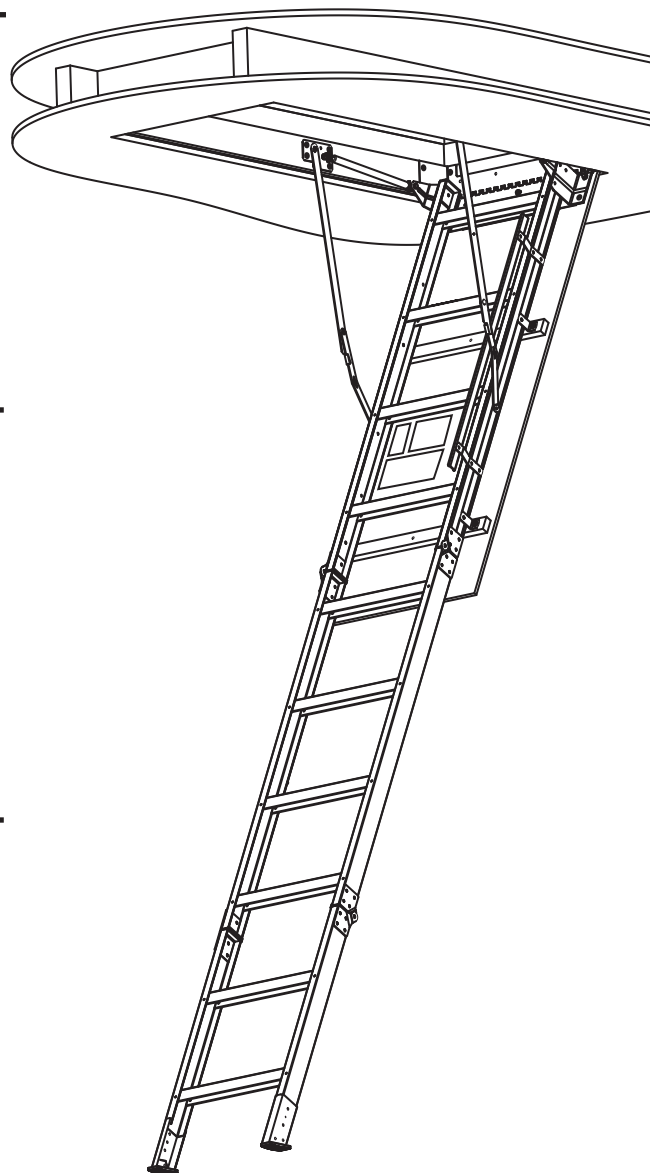
		Page
	Parts and Tools	2
	Before you begin	3
Step 1	Preparing Existing Attic Ladder Opening for Installation	4-5
Step 2	Placing Ladder into Prepared Opening	6-7
Step 3	Permanent Mounting of Ladder	8
Step 4	Setting Ladder Height	9
Step 5	Attaching the Feet	10-11
	Appendix	12-20
	Replacement Parts	21

#### Índice

		Página
	Piezas y herramientas	22
	Antes de comenzar	23
Paso 1	Preparación de la abertura para escalera de ático existente para la instalación	24-25
Paso 2	Colocación de la escalera en la abertura preparada	26-27
Paso 3	Montaje permanente de la escalera	28
Paso 4	Ajuste de la altura de la escalera	29
Paso 5	Instalación de los pies	30-31
	Apéndice	32-40
	Piezas de reemplazo	41

#### Table des matières

		Page
	Pièces et outils	42
	Avant de commencer	43
Étape 1 -	Préparation d'ouverture d'échelle de grenier existante pour l'installation	44-45
Étape 2 -	Positionnement de l'échelle dans l'ouverture préparée	46-47
Étape 3 -	Montage permanent de l'échelle	48
Étape 4 -	Détermination de la hauteur d'échelle	49
Étape 5 -	Fixation des pieds	50-51
	Annexe	52-60
	Pièces de rechange	61



# Parts and Tools For AH2210 and AH2510 Aluminum Attic Ladder

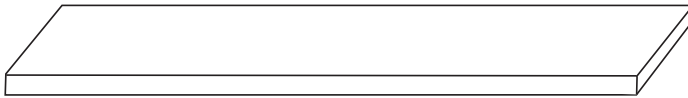
**DO NOT REMOVE NYLON TIE HOLDING THE LADDER SECTIONS TOGETHER UNTIL INSTRUCTED**

## ADDITIONAL MATERIALS NEEDED

(10) #8 Deck Screws, 2"



1 x 4 Temporary Support Boards  
(2 pieces approximately 32" long)



Shims

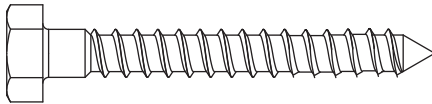


## TOOLS NEEDED

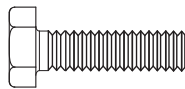
Carpenter's Square  
Drill  
Hammer  
Hacksaw  
Drill Bit, 1/8"  
Drill Bit, 9/32"  
Pencil  
Stepladder  
Tape Measure  
Wrench, 7/16" (2)  
Phillips Driver

## INCLUDED FASTENERS

(10) 1/4" Hex Head  
Lag Screws  
3" Long



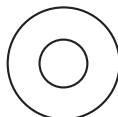
(2) 1/4"- 20 Hex Head  
Cap Screws  
3/4" Long



(2) 1/4" - 20 Lock Nut

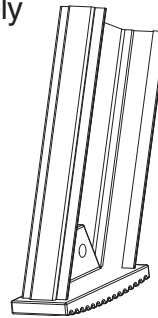


(11) 1/4" Washers

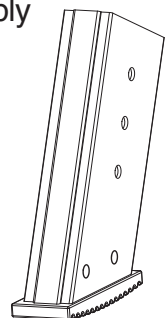


## INCLUDED COMPONENTS

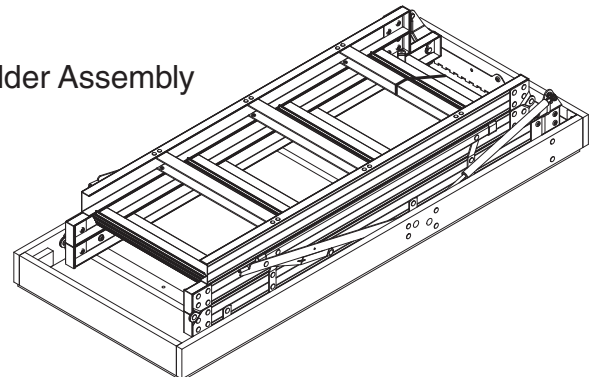
(1) Left Foot  
Assembly



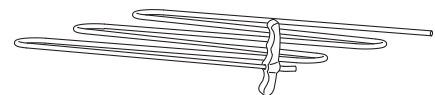
(1) Right Foot  
Assembly



(1) Ladder Assembly



(1) Pull Rope  
Assembly



# BEFORE YOU BEGIN:

---

**Read instructions completely before beginning.** This is necessary to ensure that you have a suitable location for the attic ladder and the ability to safely and properly install it.

## **Are you capable of installing this attic ladder?**

To install this attic ladder you should have sawing, squaring, and aligning skills similar to those required to install a window or a door frame. If you do not have these skills you should hire a professional carpenter to install this unit (see the Yellow Pages under "Building Contractors, Carpenters, Home Builders, Home Improvements, or Contractors-General").

## **Does this attic ladder meet your needs?**

This attic ladder is for residential use only. Installing this attic ladder in commercial buildings and apartments may violate building codes that require fire-rated ceilings and prohibit storing materials in the overhead space! Check with your local fire marshal or building department before installing the attic ladder.

The capacity of the attic ladder (person plus materials being carried) is 375 pounds.

This attic ladder is made for the range of ceiling heights 7'8" to 10'3". Do not install the attic ladder in a ceiling that has a height outside of this range. Altering the attic ladder to accommodate other heights is unsafe.

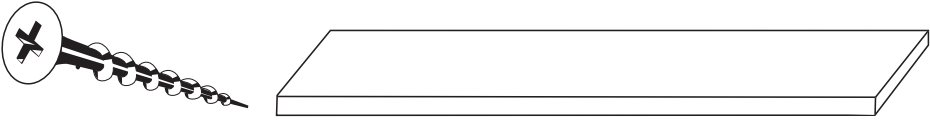
- a. To save time and prevent accidents, inspect the attic ladder for shipping damage before beginning the installation.
  - **Check wooden door panel for splits and warpage**
  - Check all metal parts for damage such as bends and cracks
  - Check that all rivets are tight

If any items are missing or damaged, contact the point of purchase or Werner Co. customer service at 888-523-3370

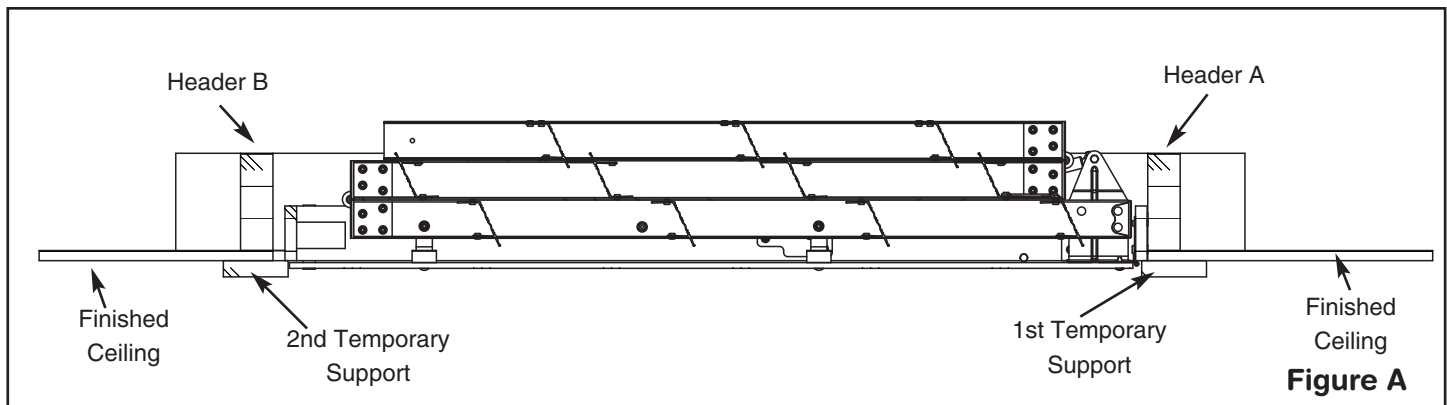
- b. You must have
  - 2 people who are capable of lifting the 50 pound attic ladder into the overhead space
- c. You must have:
  - A rough opening in the ceiling measuring 22-1/2" x 54" for the AH2210 and 25" x 54" for the AH2510. If not, proceed to the Appendix, Section 1.1, page 12.
- d. Verify clearance requirements:
  - See Appendix, Section 1.3, Figure 3, page 14

**Step-by-Step Installation Made Easy Online video**  
**[www.wernerladder.com/atticladder](http://www.wernerladder.com/atticladder)**

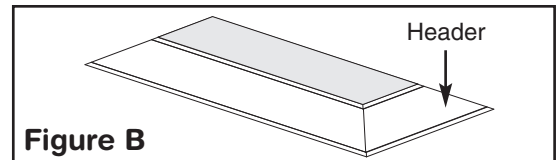
# Step 1 PREPARING EXISTING ATTIC LADDER OPENING FOR INSTALLATION

ADDITIONAL MATERIALS NEEDED	TOOLS NEEDED
<p>(6) #8 Deck Screws, 2"      1 x 4 Temporary Support Boards                      (2 pieces approximately 32" long)</p> 	<p>Stepladder                      Hammer                      Tape Measure                      Pencil                      Carpenter's Square                      Drill                      Phillips Driver</p>

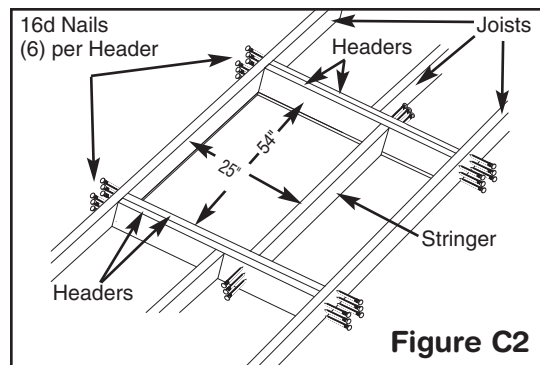
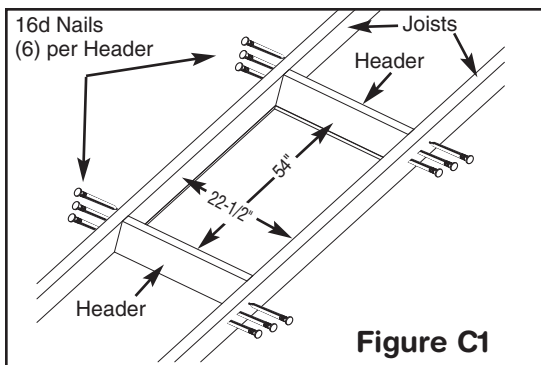
At completion of Steps 1 & 2 the frame of your ladder will be installed flush with the underside of the finished ceiling. (See Figure A)



1. PREPARING EXISTING OPENING: (See Figure B)
  - a. Remove any trim and hardware surrounding the opening.
  - b. Inspect existing attic ladder opening to make sure it meets minimum construction requirements and is 22-1/2" x 54" (Model AH2210 Figure C1) or 25" x 54" (Model AH2510 Figure C2).
  - c. If it is necessary to modify or create a new opening, please refer to Appendix, Section 1.1, page 12.



For best results make sure the ceiling around the opening is flat and in good repair and that all sides of the opening are flat, plumb and in good repair.



## Step 1 (continued)

# PREPARING EXISTING ATTIC LADDER OPENING FOR INSTALLATION

## 2. ATTACHING TEMPORARY SUPPORT BOARDS:

It is necessary to temporarily support the ladder in the prepared rough opening by using 1 x 4 x 32" boards that extend from edge to edge across each end of the rough opening. The boards form a ledge to support the ladder before it is permanently secured. Care is important in positioning the boards.

- Secure first temporary support  $3/8"$  from the inside edge of Header "A". Header "A" is the end where the hinge of the ladder will go. Make sure all (3) screws penetrate header. (See Figure D & E).
- Measuring from the inside edge of first temporary support, secure second temporary support so that the inside edge is  $52-1/2"$  from inside edge of the first temporary support. (See Figure D)
- Be certain both first and second temporary supports are secured firmly into respective headers. (See Figure E).

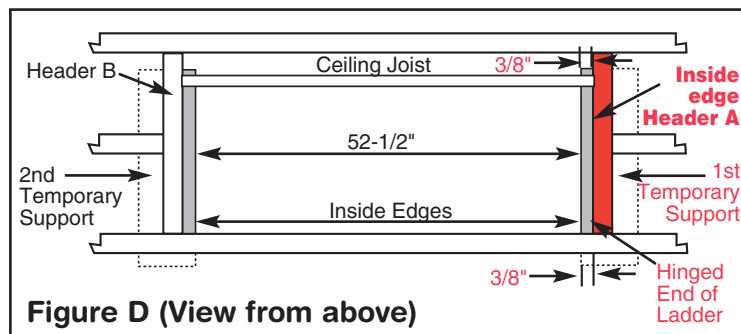


Figure D (View from above)

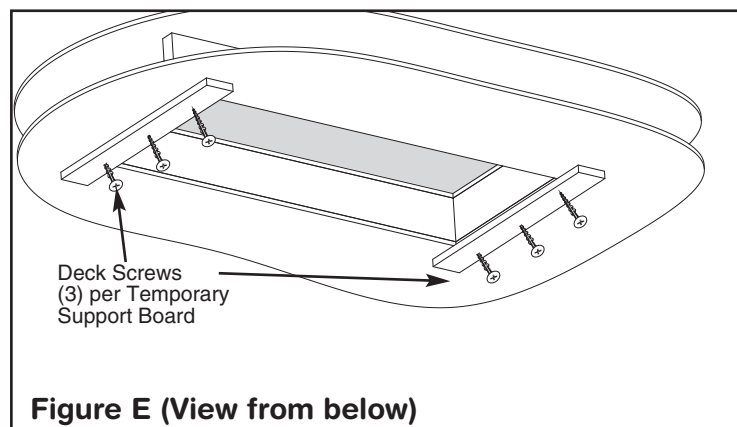


Figure E (View from below)



### WARNING

Make sure that the temporary support boards are  $52-1/2"$  apart on both sides of opening. The attic ladder is likely to fall from the ceiling if the temporary support boards are not properly spaced.

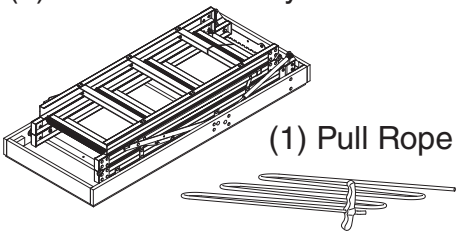
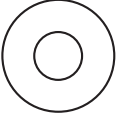




### WARNING

Support boards must be fastened securely to temporarily support the weight of the ladder when it is placed in the rough opening.

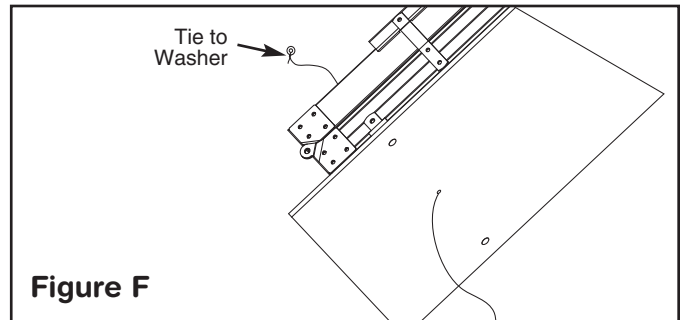
**YOUR ATTIC LADDER OPENING IS NOW PREPARED FOR INSTALLATION.  
PROCEED TO STEP 2 - PLACING LADDER INTO PREPARED OPENING**

# Step 2 PLACING LADDER INTO PREPARED OPENING

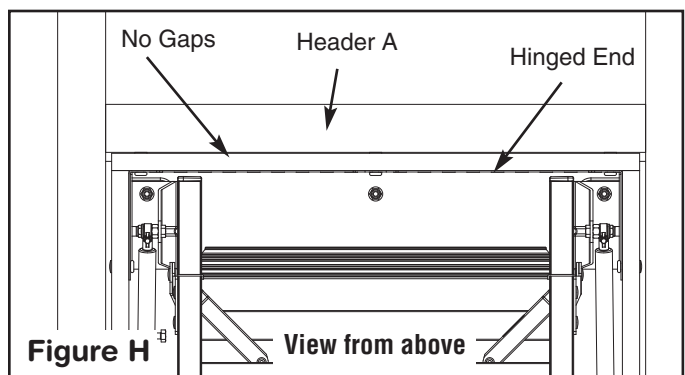
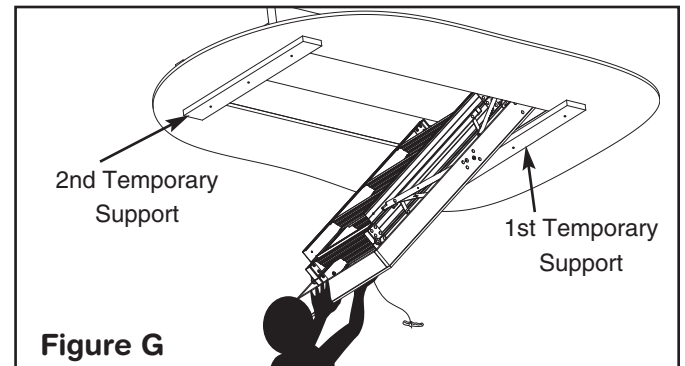
INCLUDED COMPONENTS	INCLUDED FASTENERS	ADDITIONAL MATERIALS NEEDED	TOOLS NEEDED
(1) Ladder Assembly  (1) Pull Rope	(1) 1/4"-20 Washer 	Shims  (4) #8 Deck Screws, 2" 	Stepladder Tape Measure Hammer Drill Phillips Driver

**WARNING**  
 DO NOT remove the nylon tie holding the ladder sections together until after the ladder has been properly installed and secured.

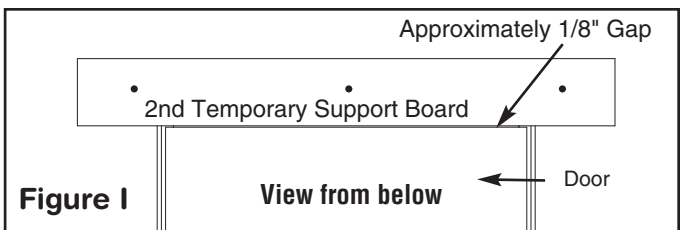
**WARNING**  
 Be careful when using a stepladder to climb into and out of the overhead space.



1. ATTACHING PULL CORD: (See Figure F)
  - a. Thread small end of supplied pull rope through pre-drilled hole in door and tie to the washer. You can adjust length of pull rope after ladder is completely installed.
2. RAISING LADDER INTO ROUGH OPENING:
  - a. One person should be in the attic before raising the ladder.
  - b. Raise ladder through rough opening at an angle so the ladder clears the temporary support boards. (See Figure G)
  - c. Position the ladder in the rough opening so it rests securely on the temporary support boards. Slide the ladder so that the hinged end of the wood frame is resting tightly against Header "A" (See Figure H). Make certain the plywood door is not prevented from opening by the support boards. (See Figure I) If it is obstructed check the position of the support boards from Step 1.



**WARNING**  
 Do not place any weight on the ladder until permanently installed in Step 3, page 8.  
 The person in the overhead space must remain there until installation is completed.





## Step 2 (continued)

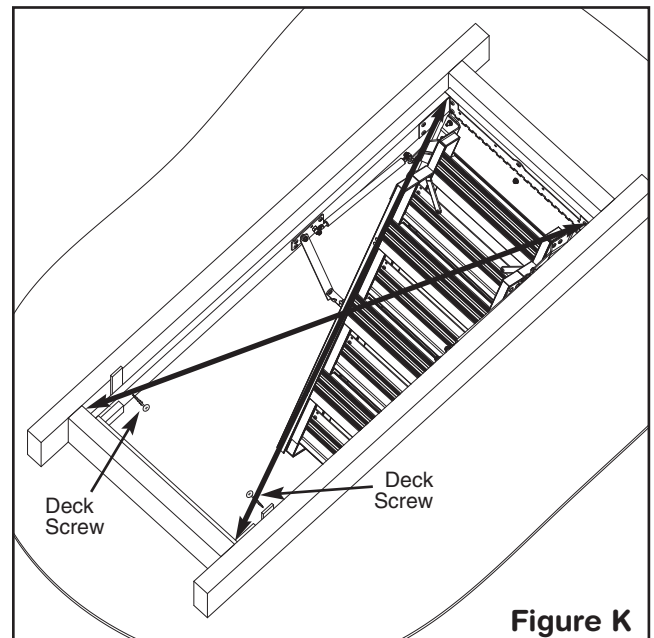
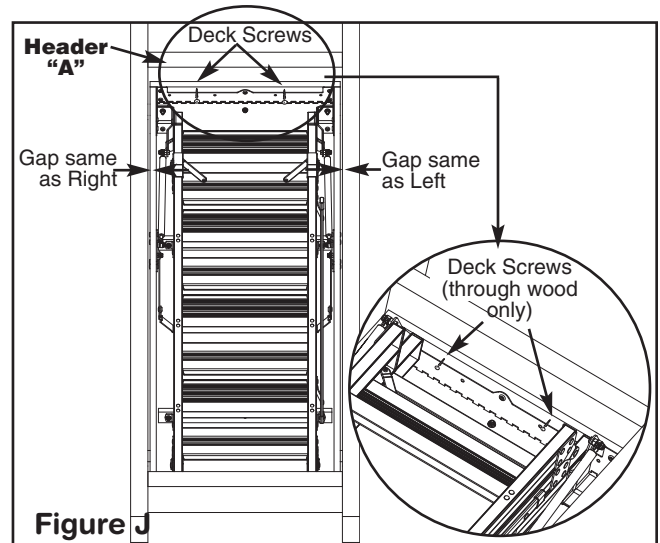
# PLACING LADDER INTO PREPARED OPENING

### 3. SQUARING THE LADDER IN OPENING:

- a. Center the hinged end of the ladder on Header "A" so that there is equal space on both sides (See Figure J). Drive (2) screws, (See Figure J), to hold the frame to Header "A". Screws to go through wood frame only. Holes in steel hinge plate are for use in Step 3.
- b. Open ladder door by pulling straight down on the pull rope. Ladder sections should remain folded with nylon ties attached.
- c. Shim the frame at corner locations if needed (See Figure K) so that the two diagonal dimensions are equal. The frame is square when the dimensions are equal. If dimensions cannot be made equal within 1/8" by shimming, the hinged end of the ladder may need to be repositioned. (See Figure K)

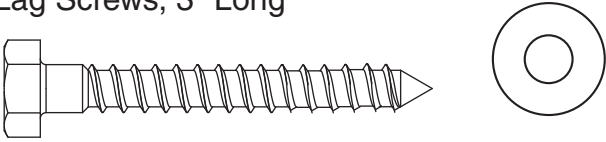

**Failure to properly square the frame may result in ladder closing at an angle. If this occurs, there may be contact between the frame and ladder, causing door not to close properly. Check frame for squareness by measuring across diagonals (See Figure K). The two dimensions should be equal within 1/8" to be considered square.**

- d. Drive (2) screws as shown at the end opposite of the hinge to hold the shims in place. Do not drive screws through blocks. (See Figure K)



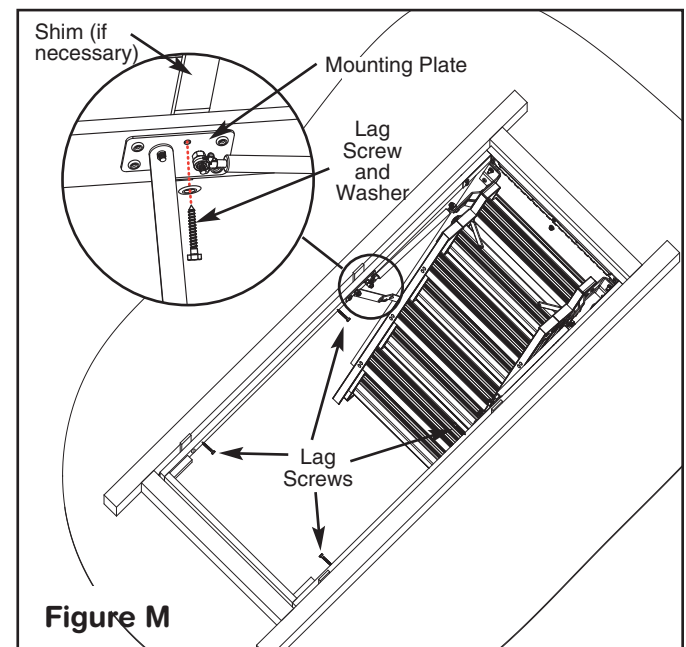
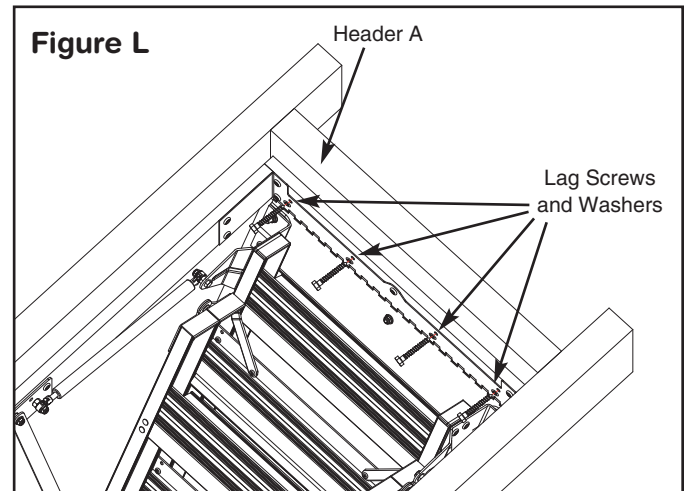
**YOUR ATTIC LADDER HAS BEEN PROPERLY PLACED INTO THE PREPARED OPENING.  
PROCEED TO STEP 3 -PERMANENT MOUNTING OF LADDER.**

# Step 3 PERMANENT MOUNTING OF LADDER

INCLUDED FASTENERS	ADDITIONAL MATERIALS NEEDED	TOOLS NEEDED
<p>(10) 1/4" Hex Head Lag Screws, 3" Long</p> <p>(10) 1/4" Washers</p> 	<p>Shims</p> 	<p>Stepladder Drill 1/8" Drill Bit Wrench, 7/16" (1) Hammer</p>

## 1. SECURING LADDER IN ROUGH OPENING:

- a. Pre-drill (4) 1/8" pilot holes and install (4) 1/4" x 3" hex head lag screws into Header "A" using hinge plate as template. (See Figure L) (4) 1/4" washers to be used under heads of lag screws.
- b. If necessary, carefully place shims behind Mounting Plates (See inset - Figure M) Do not bow sides of ladder frame with shims. Pre-drill (2) 1/8" pilot holes and install (2) 1/4" x 3" hex head lag screws into Mounting Plates. (2) 1/4" washers to be used under heads of lag screws. (See Figure M)
- c. Pre-drill (4) 1/8" pilot holes approximately as shown. Install (4) 1/4" x 3" hex head lag screws. (4) 1/4" washers to be used under heads of lag screws.
- d. Make sure door closes without interference. Readjust shims if necessary



Trim portion of shims that stick out above and below frame.  
**Shims sticking out above the frame are a tripping hazard and must be trimmed.**

## 2. REMOVE TEMPORARY SUPPORT BOARDS

**YOUR ATTIC LADDER HAS BEEN PERMANENTLY MOUNTED INTO OPENING.  
PROCEED TO STEP 4 -SETTING LADDER HEIGHT.**



# Step 4 SETTING LADDER HEIGHT

TOOLS NEEDED	
Hacksaw Tape Measure	Pencil Carpenter's Square

The lower section of the ladder may require trimming and adjusting feet to proper height.

1. TAKING YOUR MEASUREMENT: (See Figure N)
  - a. With the unextended ladder in the fully open position, measure height "Y" from bottom of the wood frame of the attic ladder to the floor. Refer to Table 1 before proceeding to the next step.

**⚠ WARNING**

The attic ladder must be adjusted to match the proper height where it is installed. Failure to do so may result in damage to the ladder or injury to the user.

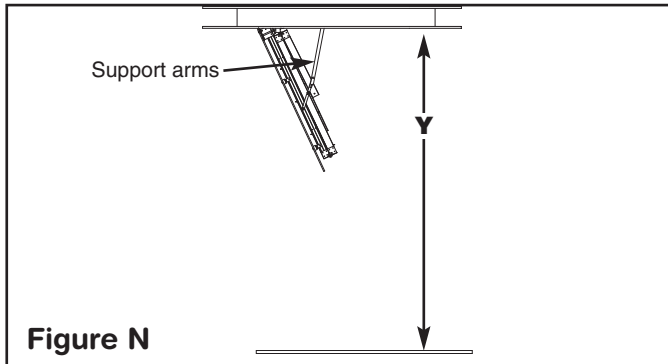


Figure N

2. TRIMMING LOWER SECTION:
  - a. Remove the nylon tie holding the ladder sections together.
  - b. Fold the lower section of the unit under the middle section (See Figure O).
  - c. Measure the required cut off distance "X", defined in Table 1, from the bottom of the lower section and mark a straight line perpendicular to rail, using a pencil and carpenter's square. (See Figure O)
  - d. With ladder properly supported, use a hacksaw to cut off excess lower section at line marked in step c.
  - e. Unfold lower section of the unit to the open position.

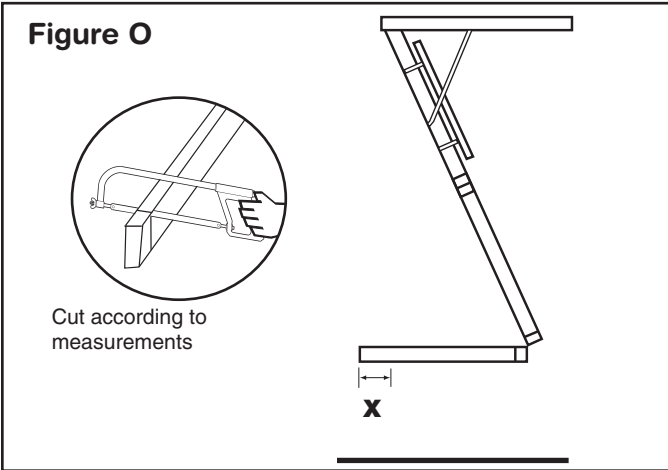


Figure O

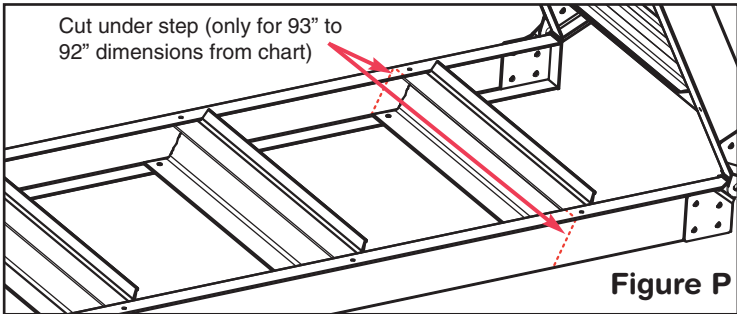


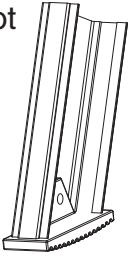
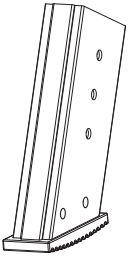


Figure P

Distance "Y"			"X"		
If your height is less than:	But more than or equal to:	Then cut off is:	If your height is less than:	But more than or equal to:	Then cut off is:
	123"	0"	108"	107"	17-1/4"
123"	122"	1"	107"	106"	18-1/2"
122"	121"	2"	106"	105"	19-1/2"
121"	120"	3"	105"	104"	20-1/2"
120"	119"	4-1/4"	104"	103"	23-1/2"
119"	118"	5-1/4"	103"	102"	23-1/2"
118"	117"	6-1/4"	102"	101"	24"
117"	116"	7-1/2"	101"	100"	25-1/4"
116"	115"	8-1/2"	100"	99"	26-1/4"
115"	114"	11-1/2"	99"	98"	27-1/4"
114"	113"	11-1/2"	98"	97"	28-1/2"
113"	112"	12"	97"	96"	29-1/2"
112"	111"	13"	96"	95"	30-1/2"
111"	110"	14"	95"	94"	32"
110"	109"	15-1/4"	94"	93"	32-3/4"
109"	108"	16-1/4"	93"	92"	See Figure P

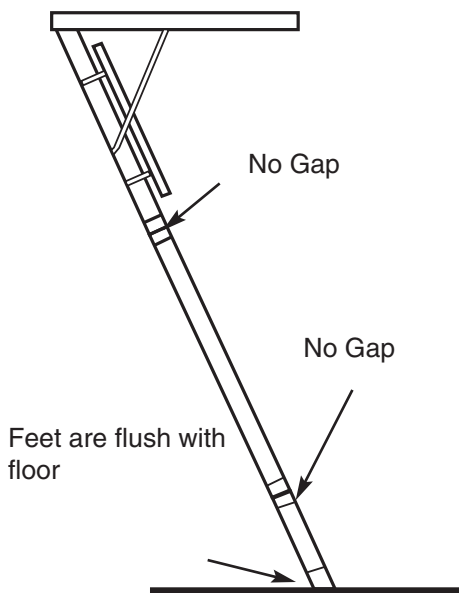
Table 1

**YOUR ATTIC LADDER HEIGHT HAS BEEN PROPERLY SET.  
PROCEED TO STEP 5 - ATTACHING THE FEET**

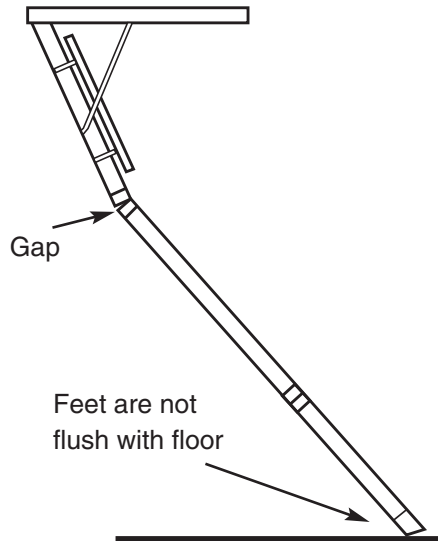
# Step 5 ATTACHING THE FEET

INCLUDED COMPONENTS & FASTENERS	TOOLS NEEDED
<p>(1) Left Foot Assembly</p>  <p>(1) Right Foot Assembly</p>  <p>(2) 1/4"-20 Hex Head Cap Screws 3/4" Long</p>  <p>(2) 1/4"-20 Lock Nut</p> 	<p>Hacksaw Tape Measure Pencil Drill 9/32" Drill Bit Carpenter's Square Wrench, 7/16" (2)</p>

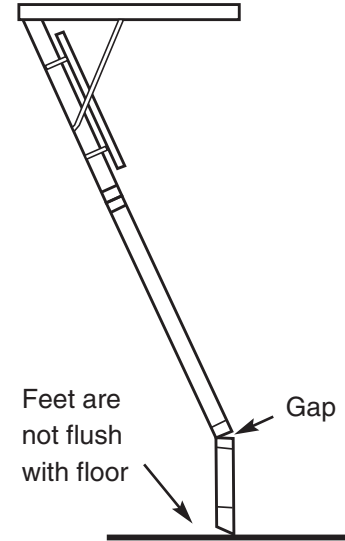
At the completion of Step 5 the hinges in your ladder should have no gaps as shown in the Correct Setup



**Correct Setup**



**Lower Section is Too Long**



**Lower Section is Too Short**

**⚠ WARNING**

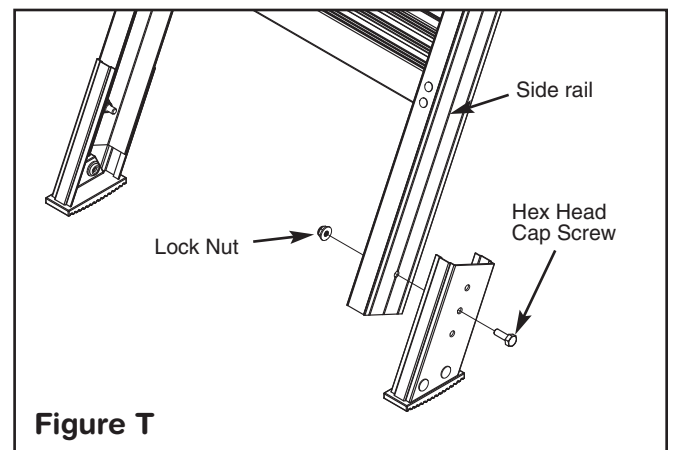
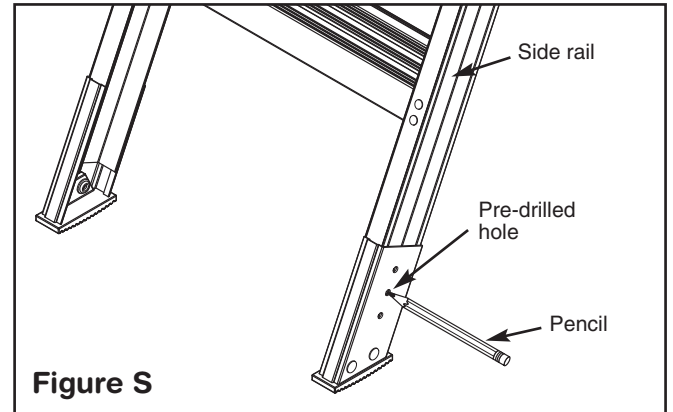
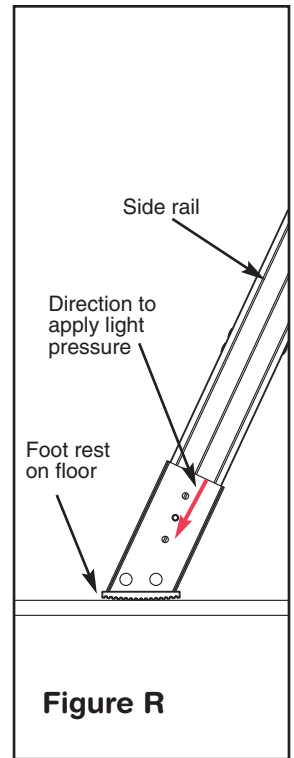
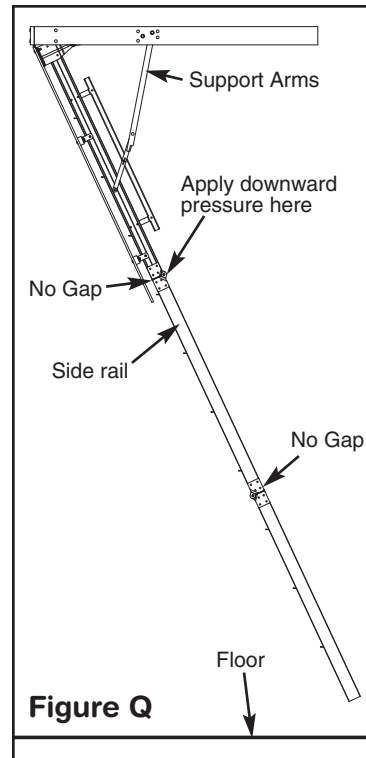
The bottom section must fit flush with the floor. Failure to properly adjust the feet on the ladder could result in unnecessary stress on the component parts, resulting in serious injury.

## Step 5 (continued)

# ATTACHING THE FEET

### 1. PROPER FOOT LOCATION:

- Be sure ladder sections are fully extended and support arms are fully open. Apply pressure as shown to make sure ladder is fully extended. (See Figure Q)
- Place foot over side rail and slide foot downward until the rubber foot pad rests firmly on the floor. Apply light pressure as shown. (See Figure R)
- Mark location to drill hole through side rail of lower section using one of the pre-drilled holes in the adjustable foot as a template. Remove foot and check position of hole before drilling. Drill  $9/32$ " hole through the rail. (See Figure S)
- Install adjustable foot and tighten using  $1/4$ " hex head cap screw and lock nut provided. (See Figure T)
- Repeat steps a through d for other side of ladder.



**CONGRATULATIONS - YOUR LADDER IS NOW COMPLETELY INSTALLED AND READY FOR USE.**

# Appendix CREATING A ROUGH OPENING

## Section 1.1

### IMPORTANT QUESTIONS

#### Is your ceiling and joist structure suitable for this installation?

This attic ladder can be installed in structures with conventional wood roof frames (See Figure 1). If there is a ceiling, you must have an access hole in the ceiling that allows you to enter the overhead space for a pre-installation inspection.

Roof support structures that have braces connected to the ceiling joists or which use trusses (See Figure 1) cannot be cut without destroying the load-bearing capacity of that section of the roof. Do not cut joists that are part of a braced conventional frame or truss without first consulting an architect or structural engineer (see the Yellow Pages under "Architects or Structural Engineers").

The attic ladder should **not** be installed in a ceiling that has any of the following:

- components of heating/cooling systems embedded in the ceiling
- joists made of materials other than wood
- metal reinforced plaster
- suspended ceilings

If your ceiling contains any of the above, do not attempt to install the attic ladder. Contact a professional for assistance with your specific needs (see the Yellow Pages under "Heating and Cooling Contractors, Building Contractors, Carpenters, Home Builders, Home Improvements, or Contractors-General").

#### Do these instructions meet your needs?

These instructions describe how to install the attic ladder parallel or perpendicular to the ceiling joists. Contact a professional if you want the attic ladder installed in some other direction relative to the joists.

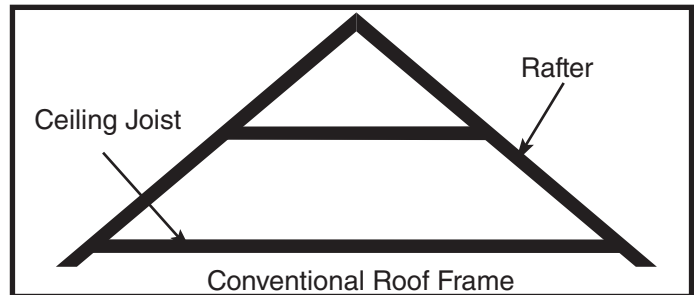


Figure 1

#### Is your ceiling and joist structure suitable for this installation?

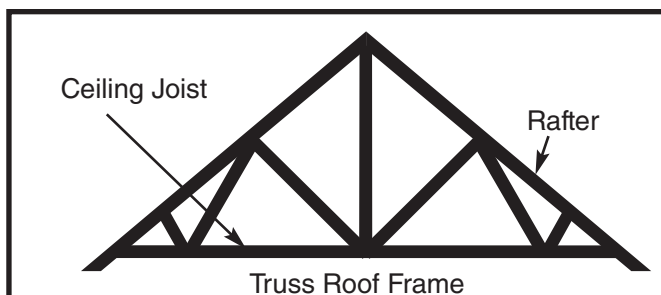
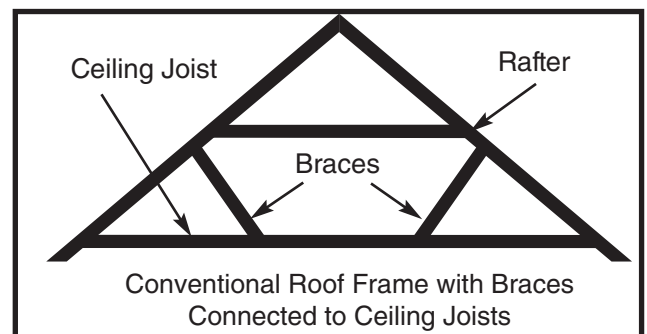


Figure 2



**WARNING**  
Do not cut these types of structures without consulting an architect or structural engineer.

## **TOOLS AND MATERIALS NEEDED**

---

### **Materials:**

- Several pieces of joist-sized lumber (the amount depends on the specific installation).
- 16d sinker nails or screws of equivalent strength (24 - 60 depending on the specific installation).
- 20d sinker nails or screws of equivalent strength are needed for installation where joists are cut.

### **Step ladder:**

- You need a stepladder that is tall enough so that you can get into the overhead space without stepping above the working height of the stepladder. The working height of the stepladder is two steps down from the top.
- Your stepladder must also have a Duty Rating that is greater than the sum of your weight plus the weight of the attic ladder.



### **WARNING**

Be careful when using a stepladder to climb into and out of the overhead space

### **Tools For Creating a Rough Opening:**

- Flashlight or extension light
- Claw hammer
- Pencil
- Hand saw / power saw
- Tape measure
- Framing square
- Tools to cut a hole in the existing ceiling

### **Safety Equipment:**

- Gloves
- Safety goggles
- Dust mask

# FINDING A SUITABLE LOCATION

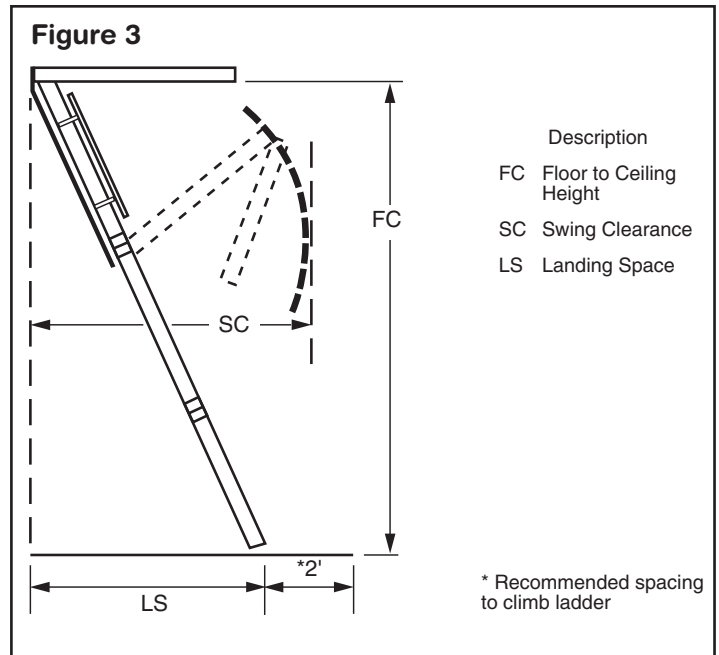
**Before Proceeding:** You must have: a suitable ceiling and joist structure, tools and materials needed, and a level flat location in the ceiling.

**Goal:** To find a location free of hazards and obstructions that will provide room for the installation and use of the attic ladder. Avoid installing attic ladder over other stairs.

**Step 1.** Pick a potential location for installation. Check that the size of rough opening is 22-1/2" x 54" (AH2210) or 25" x 54" (AH2510).

**Step 2.** If there is no ceiling and the attic ladder will fit between the joists so that no joists need to be cut, go to Section 1.6, page 17, "FRAMING THE ROUGH OPENING".  
 If there is no ceiling, but one or more joists need to be cut, go to Section 1.5, page 16, "CUTTING THE CEILING JOISTS".  
 If there is a ceiling at this location, you will need to inspect the area above this location as described in steps 3 and 4.

**Step 3.** Go into the overhead space and find the area above your chosen location. This area may be located by:  
 A) Listening for tapping from below  
 B) Measuring distances from walls or other objects common to the overhead space and the room below.



SC	LS	FC
5' 10"	4' 0" to 5' 3"	7' 8" Min. to 10' 3" Max.

**⚠ WARNING**

Do not drive metal nails or other conductive objects into the ceiling unless you are sure they will not contact electric wires. Contact with an electric wire can be deadly.

**Step 4.** At this location in the overhead space:

- A) Check that there is enough space for you to safely move around during installation.
- B) Check the overhead space for storage space adjacent to the chosen location. If walking or crawling in the overhead space is desired, make sure that there is enough room to do so.
- C) Check above your chosen location for hazards and obstructions such as:
  - Electric wire
  - Pipes
  - Heating and cooling ducts
  - Furnaces
  - Hot water heaters or other obstructions

**NOTE:** To check for hazards, you will need to move insulation away from your chosen location. Wear a dust mask, safety goggles and gloves to keep your body covered to prevent fine cuts from fiberglass. Gently push aside insulation to avoid stirring up dust that may be harmful to your eyes and lungs.

**⚠ WARNING**

**For your safety, watch out for overhead hazards.**

Do not stand or sit on the ceiling or insulation covering the ceiling - the ceiling is not made to support your weight. You can fall through the ceiling even though it looks solid. Only the joists can support weight.

Watch out for sharp nails sticking through the roof.

**Step 5.** If any hazards or obstructions are present at your chosen location, look for another location or have the hazards or obstructions moved by professionals (see the Yellow Pages under "Electrical contractors, Heating and Cooling contractors, and Plumbing contractors").



# CUTTING A HOLE IN THE CEILING

**Before Proceeding:** You must have a location that:

- A) Is free of hazards and obstructions in the overhead space.
- B) Is free of hazards in the ceiling.
- C) Provides enough room for installation.
- D) Provides enough room to use the attic ladder.

**Goal:** To cut a correct sized hole in the ceiling at the desired location.

- Step 1.** Prepare the room by moving furniture, covering flooring with a drop cloth and removing children and pets to a safe distance away.
- Step 2.** Put on safety goggles and a dust mask. These will keep pieces of ceiling particles and dust from falling into your eyes, mouth or nose as you make a starter hole and cut into the ceiling.
- Step 3.** With a hammer and chisel, make a starter hole near the center of the chosen location (See Figure 4).
- Step 4.** Enlarge the opening with a saw until you can see a joist (See Figure 5).
- Step 5.** Draw a rectangle the size of the rough opening on the ceiling, the size of the rough opening must be 22-1/2" x 54" (AH2210) or 25" x 54" (AH2510), with one edge parallel to a joist (See Figure 6). You may do this by sawing until you reach a joist and use it as a frame of reference.

Note: Locating at least one edge of the opening along a ceiling joist will allow the joist to be used as a side of the frame you will build. This will simplify framing the rough opening.

- Step 6.** Cut out the rest of the ceiling within the marked outline following these instructions:
  - A) **Do not cut any joists at this time.** Cut through the ceiling only.
  - B) Remove the ceiling in small pieces because ceiling material can be very heavy.
- Step 7.** If no joists span the hole in the ceiling, go to Section 1.6, page 17 "FRAMING THE ROUGH OPENING".  
If any joists span the hole, go to Section 1.5, page 16 "CUTTING THE CEILING JOISTS".

**⚠ WARNING**

Do not saw, cut, or hammer into the ceiling until you are sure that the location is free of hazards and obstructions in the ceiling and attic. Contact with an electric wire can be deadly.

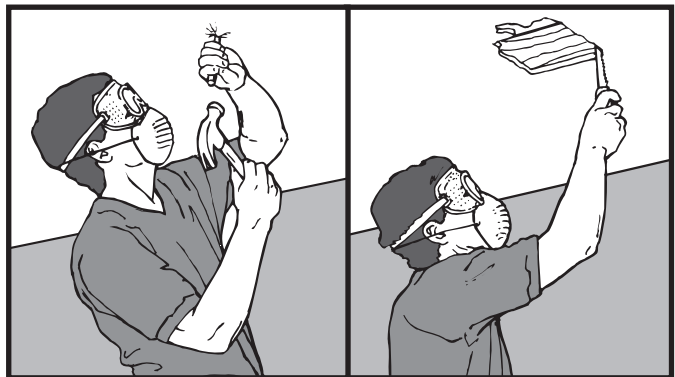


Figure 4

Figure 5

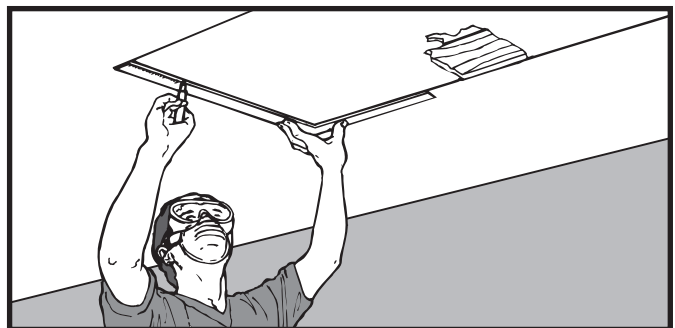


Figure 6

# CUTTING THE CEILING JOISTS

**Before Proceeding:** You must have either: Exposed joists or a correctly sized hole at the desired ceiling location.

**Goal:** To cut out any joists that are in the way of your chosen location. Before cutting the joists, you must attach them to other joists in the overhead attic to keep the ceiling from sagging or completely collapsing.

**Step 1.** If the room has a ceiling and you have cut the required hole, go to Step 2.

If the room has no ceiling, you will need to mark the joists according to paragraph (A) or (B) below.

(A) If the chosen location is parallel to the joists, mark the rough opening length on top of the joists (See Figure 7).  
**Do not cut the joist at this mark.**

(B) If the chosen location is perpendicular to the joists, mark the rough opening width on top of the joists (See Figure 8).  
**Do not cut the joist at this mark.**

**Step 2.** Cut (2) joist-sized boards long enough to span (2) joists on each side of your chosen location (See Figure 9). These boards will support the joists that will be cut and help keep the ceiling from sagging or completely collapsing while you are working in the overhead space.

**Step 3.** Place these boards approximately 24" from the edge of your chosen location and nail (See Figure 9).

**Note:** The 24" distance is needed to give you room to hammer nails into the frame that you will build in the next section.

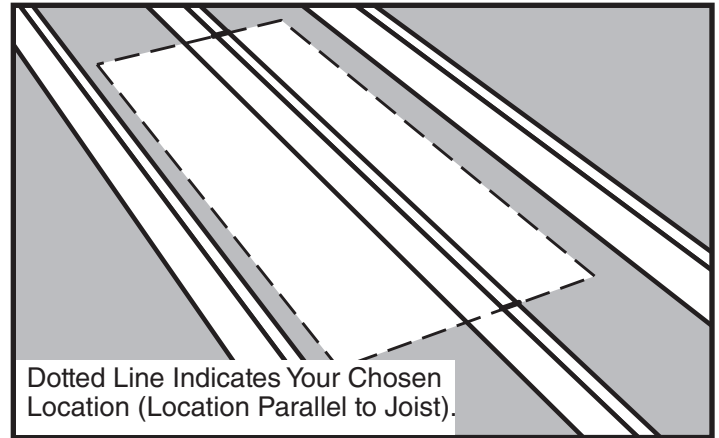


Figure 7

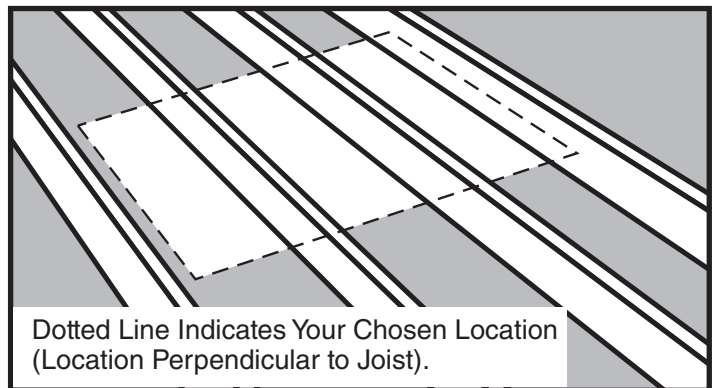


Figure 8

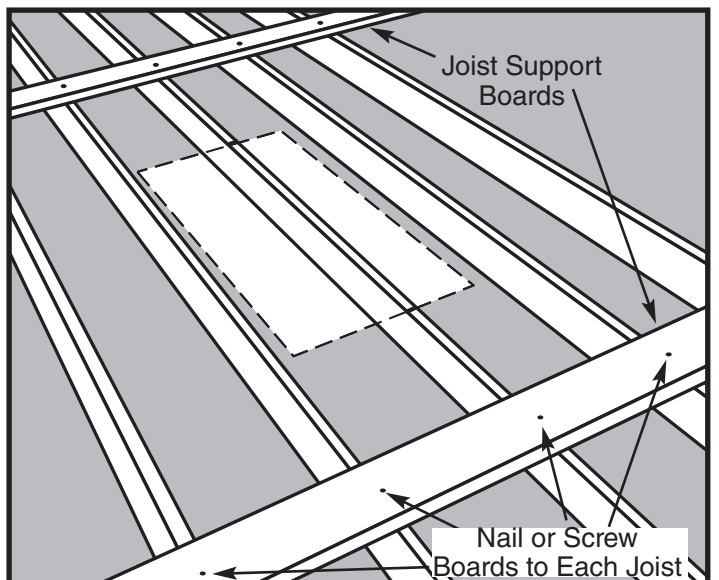


Figure 9

## CUTTING CEILING JOISTS

**STEP 4.** Determine where the joist(s) should be cut. Figure 10 shows where to mark the joist(s) that span your chosen location. Note that the joist(s) should be marked back from the edge of your location a distance of 2 times the joist thickness (usually three inches). This leaves room for two joist-sized headers to be placed against each end of the cut joist(s) (See Figure 16 on page 19).

**Note:** In some homes, especially older ones, the joists may be slightly thicker than the lumber you can currently buy. If your joists have a different thickness than the lumber you will be using for the headers, you will need to mark the joists back from the edge of your location a distance of two times the *header* thickness instead of the *joist* thickness.

**STEP 5.** Saw through the joist(s) being careful not to cut through the ceiling and making sure the cut ends of the joist(s) are flat and vertical.

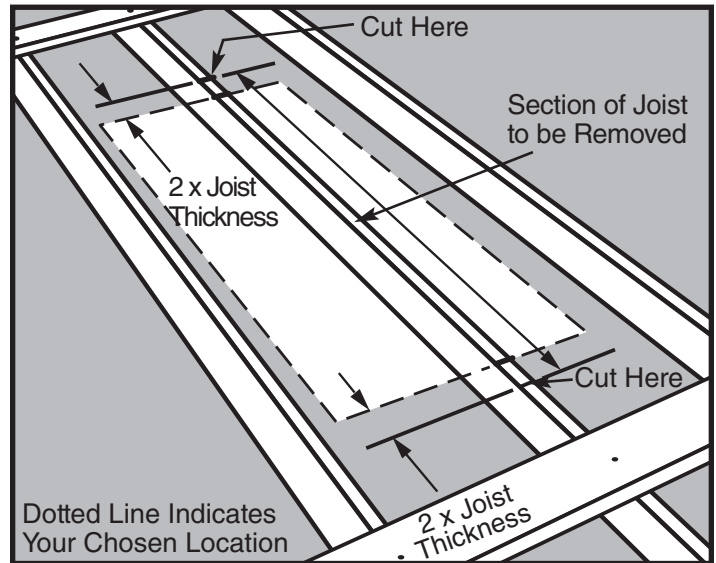


Figure 10

## FRAMING THE ROUGH OPENING

**Before Proceeding:** You should have a space between the joists at least as large as the rough opening shown on the box. Any cut joists must be attached to uncut joists.

**Goal:** To create a four-sided frame the size of the rough opening using joist-sized lumber. This frame will be made of single or double thickness headers and stringers depending upon the particular installation. The frame is necessary to support the attic ladder and to reinforce the roof and ceiling structure.

### WARNING

**For your safety, watch out for overhead hazards.**

Do not stand or sit on the ceiling or insulation covering the ceiling — the ceiling is not made to support your weight. You can fall through the ceiling even though it looks solid! Only the joists can support weight. To avoid falling through the ceiling, you may want to make a working platform by laying boards across the joist. Watch out for sharp nails sticking through the roof.

## FRAMING THE ROUGH OPENING

### Installing Headers

If no joists have been cut, go to “Single Headers” below.

If any joists have been cut, go to “Double Headers” on page 19.

### Single Headers

- STEP 1.** Measure the header length “H” between the joists (See Figure 11).
- STEP 2.** Cut 2 headers this length. Use joist-sized lumber.
- STEP 3.** Place one of these headers at one end of your chosen location (See Figure 12). The header must fit snugly between the joists. Hammer it into position if necessary; if it is more than 1/16" too long, trim it. If it is more than 1/16" too short, cut another piece.
- STEP 4.** Square the header to one joist and drive (3) 16d nails through the joist and into the header. Check for squareness and drive (3) 16d nails through the other joist and into the header (See Figure 12). **It is very important that header board is vertically plumb as well as horizontally square to side joists.**
- STEP 5.** Position the second header 54" from the first one and repeat Step 4 ( See Figure 13).
- STEP 6.** The frame for the rough opening requires four sides. The headers make up two of those sides. If your ceiling joists are spaced so that they make up the other two sides of the rough opening, check the opening for squareness by measuring across the diagonals. The measurements should be within 1/8" to be considered squareness (See Figure 13).

If your ceiling joists do not make up the other two sides of the rough opening, you need to install one or two additional pieces of lumber to frame the other side(s) of the rough opening, go to “Installing Stringers” on page 20.

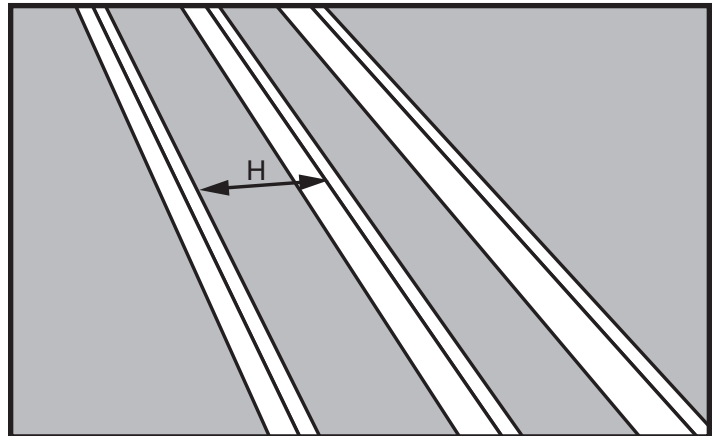


Figure 11

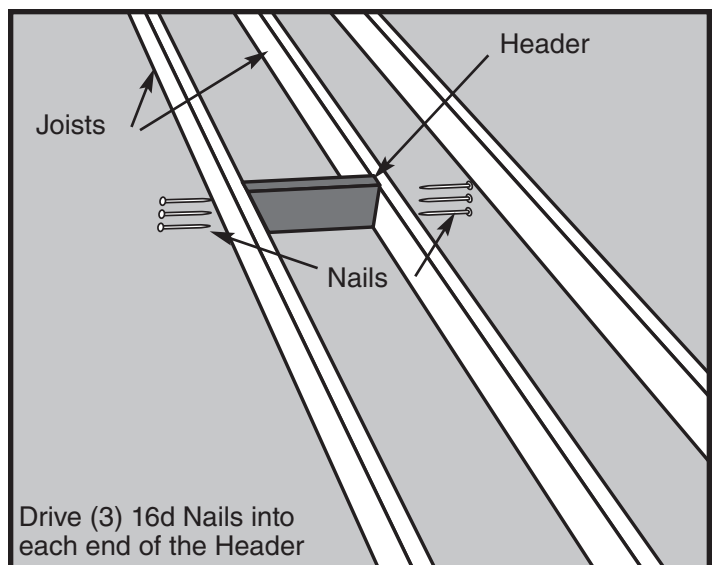


Figure 12

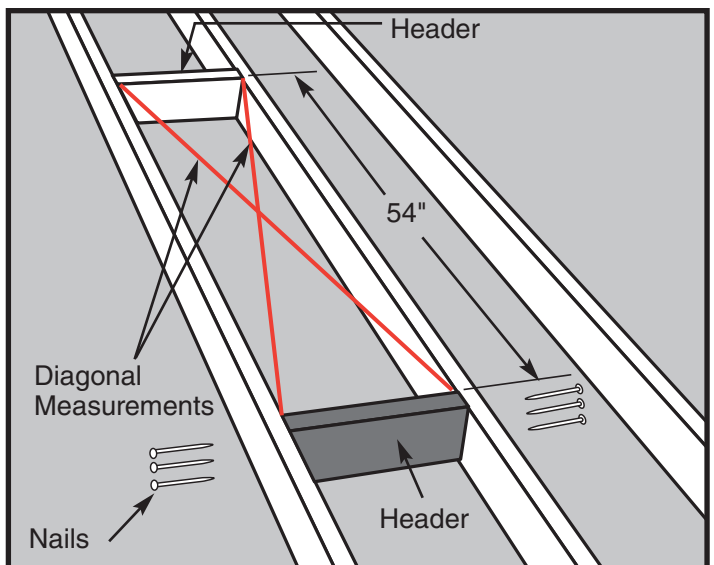


Figure 13 How to check for square

## FRAMING THE ROUGH OPENING

### Double Headers

- STEP 1.** Measure the header length "H" between the uncut joists (See Figure 14).
- STEP 2.** Cut 4 headers this length. Use joist-sized lumber.
- STEP 3.** Place one of these headers against the end of the cut joist(s) (See Figure 15). It must fit snugly between the uncut joists. Hammer it into position if necessary; if it is more than 1/16" too long, trim it. If it is more than 1/16" too short, cut another piece.
- STEP 4.** Square the header to the uncut joist and nail the header to the end of the cut joist(s) with (3) 16d nails (See Figure 15).
- STEP 5.** Check header for squareness then drive (3) 16d nails through each joist into each end of the header (See Figure 15).
- STEP 6.** Place a second header against the first header and nail it to the first header with (3) 16d nails between each joist (See Figure 16).
- STEP 7.** Drive (3) 16d nails through the joists into each end of the second header (See Figure 16).
- STEP 8.** Repeat steps 3-7 to install headers at the opposite end of the opening.
- STEP 9.** To frame the other side(s) of the rough opening, go to "Installing Stringers" on the next page.
- STEP 10.** Remove temporary support boards.

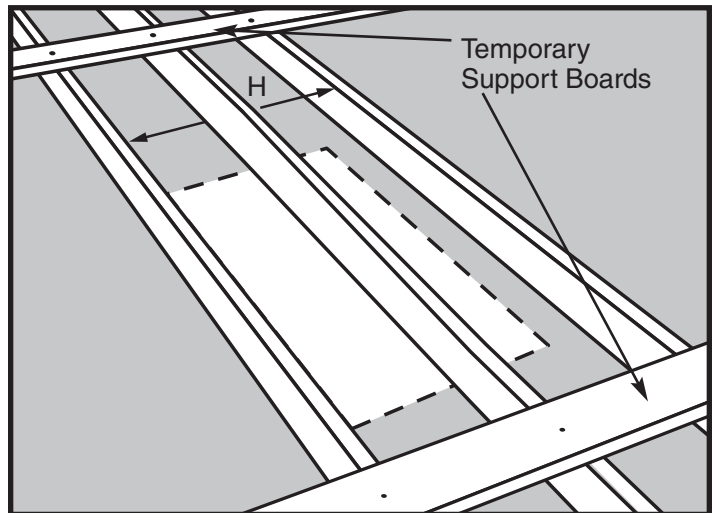


Figure 14

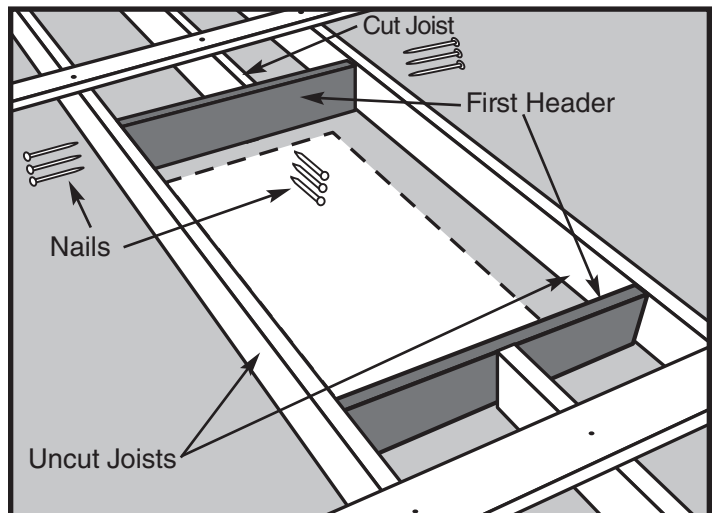


Figure 15

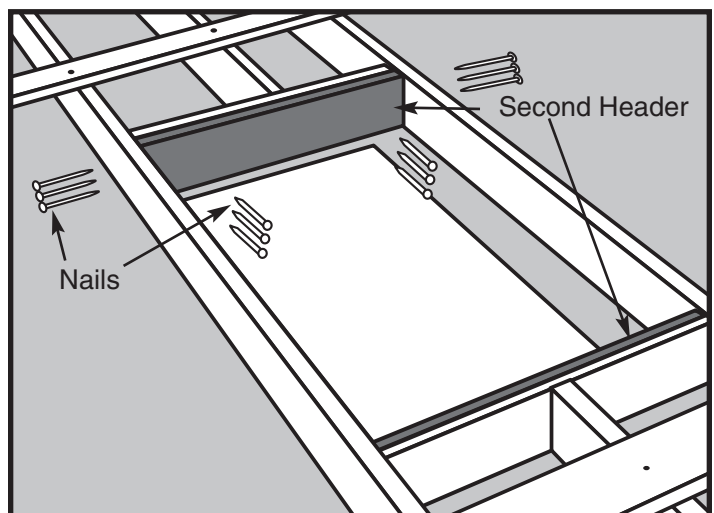


Figure 16



## FRAMING THE ROUGH OPENING

### Installing Stringers

- STEP 1.** Measure the stringer length "S" between the headers (See Figure 17).
- STEP 2.** Cut a stringer to this length. Use joist-sized lumber.
- STEP 3.** If the ceiling joist does not provide one side of the frame, then cut a second stringer the same length as the first one. Note that only one stringer is needed in Figure 17 because the ceiling joist provides one side of the frame.
- STEP 4.** Position the stringer(s) along the unframed side(s) of your location (See Figure 18). Check that the inside dimensions of the frame are 22-1/2" x 54" (AH2210) or 25" x 54" (AH2510).
- STEP 5.** To attach the stringer(s) to the headers, use nails that are long enough to go through both headers and into the stringer at least one inch. Square the stringer(s) to the headers at one end and drive (3) 16d nails through the headers and into the stringer. Check for squareness, then nail the other end. Check the rough opening for squareness by measuring across the diagonals. **The two measurements should be within 1/8" to be considered square** (See Figure 18).

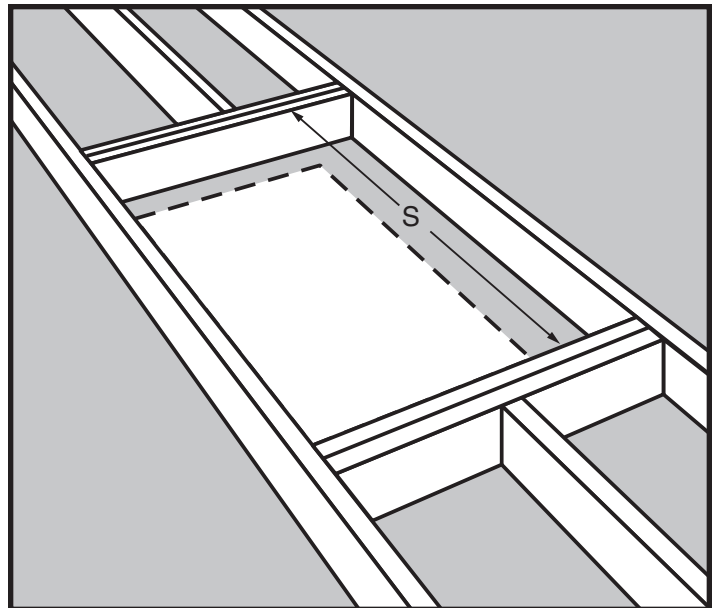


Figure 17

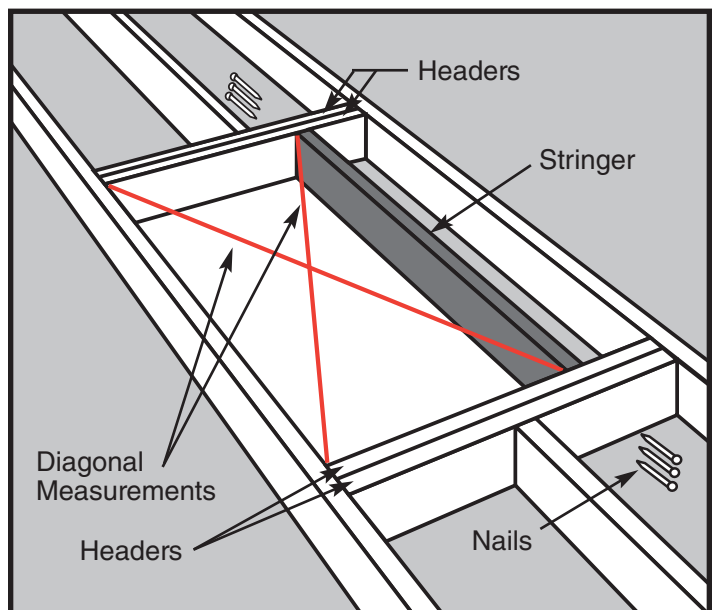


Figure 18

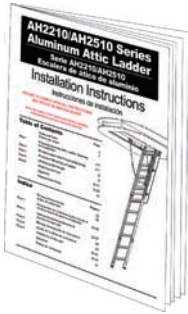
**YOUR ROUGH OPENING IS PREPARED  
PROCEED TO STEP #1 - PREPARING EXISTING ATTIC  
LADDER OPENING FOR INSTALLATION**



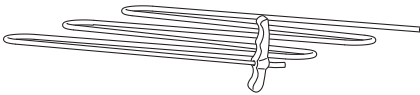
# Replacement Parts For AH2210 and AH2510 Aluminum Attic Ladders

## HARDWARE KIT

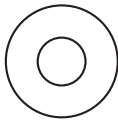
(1) Ladder Assembly Instruction Manual



(1) Rope Assembly



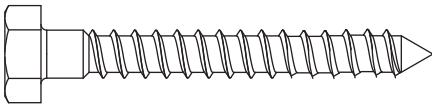
(11) 1/4" Washers



(2) 1/4"-20 Lock Nut



(10) 1/4"-20 Lag Bolt  
3" Long



(2) 1/4"-20 Hex Head Cap Screws  
3/4" Long



## STRUT REPLACEMENT KIT

(1) Instruction Sheet

(2) Gas Strut Assembly



(4) Metal Straps



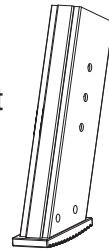
## FOOT REPLACEMENT KIT

(1) Instruction Sheet

(1) Left Foot Assembly



(1) Right Foot Assembly



(2) 1/4"-20 Lock Nut



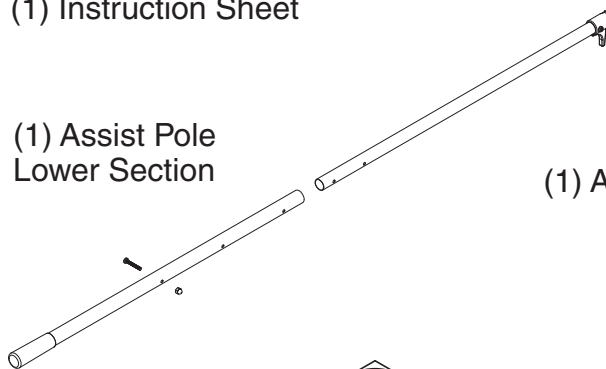
(2) 1/4"-20 Hex Head Cap  
Screws  
3/4" Long



## ASSIST POLE KIT

(1) Instruction Sheet

(1) Assist Pole  
Lower Section



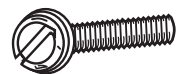
(1) Assist Pole  
Upper Section

(1) Assist Pole Bracket

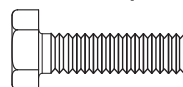
(2) 1/4"-20  
Lock Nut



(1) Machine Screw



(2) 1/4"-20 Hex Head Cap Screws  
3/4" Long



(1) Acorn Nut



**Piezas y herramientas para la escalera de ático de aluminio AH2210 y AH2510**

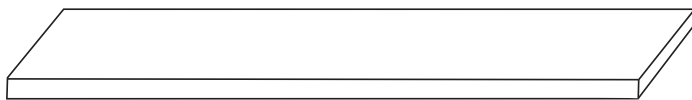
**NO RETIRE LA CUERDA DE NILÓN QUE MANTIENE UNIDAS LAS SECCIONES DE LA ESCALERA HASTA QUE SE INDIQUE**

**MATERIALES ADICIONALES NECESARIOS**

(10) Tornillos para cubierta Nº 8, 50.8 mm (2")



Tablas de soporte temporario, 1 x 4  
(2 unidades de 81.2 cm (32") de longitud aproximadamente)



Cuñas



**HERRAMIENTAS NECESARIAS**

Escuadra de carpintero

Taladro

Martillo

Sierra para metales

Broca para taladro, 3.2 mm (1/8")

Broca para taladro, 7.1 mm (9/32")

Lápiz

Escalera tipo tijera

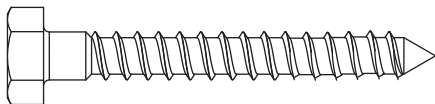
Cinta métrica

Llave, 11.1 mm (7/16") (2)

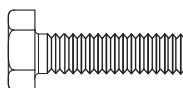
Destornillador Phillips

**SUJETADORES INCLUIDOS**

(10) tirafondos de cabeza hexagonal de 6.4 mm (1/4"), longitud 76.2 mm (3")



(4) tornillos de cabeza hexagonal 1/4"-20, longitud 19.1 mm (3/4")



(4) tuercas de seguridad 1/4"-20

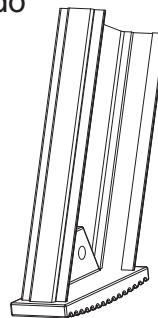


(11) arandelas de 6.4 mm (1/4")

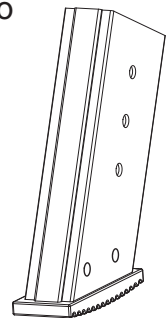


**COMPONENTES INCLUIDOS**

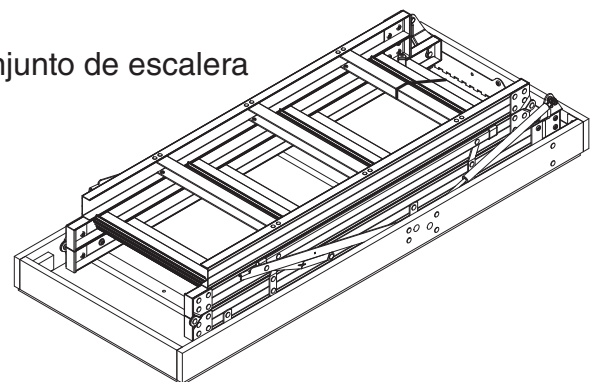
(1) conjunto de pie izquierdo



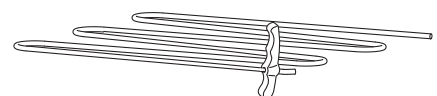
(1) conjunto de pie derecho



(1) conjunto de escalera



(1) conjunto de cuerda de halado



# ANTES DE COMENZAR:

## Lea las instrucciones en su totalidad antes de comenzar.

Esto es necesario para asegurar que usted tenga una ubicación adecuada para la escalera de ático, y la capacidad para instalarla en forma segura y correcta.

### ¿Puede instalar esta escalera de ático?

Para instalar esta escalera de ático usted debe tener destrezas de aserrado, escuadreo y alineación similares a las que se requieren para instalar el marco de una puerta o una ventana. Si no tiene estas destrezas, debe contratar a un carpintero profesional para que instale esta unidad (vea en las páginas amarillas 'Contratistas de construcción, Carpinteros, Constructores, Mejoras en el hogar, o Contratistas en general').

### ¿Esta escalera de ático satisface sus necesidades?

Esta escalera de ático es para uso residencial únicamente. La instalación de esta escalera de ático en departamentos y edificios comerciales puede estar en infracción a los códigos de edificación que requieran cielorrasos con especificación contra incendio, y prohíban el almacenamiento de materiales en el espacio superior. Antes de instalar la escalera de ático consulte con su jefe de bomberos o departamento de edificación local.

La capacidad de la escalera de ático (una persona más los materiales que lleva) es 170 kg (375 lb.).

Esta escalera de ático está hecha para la gama de alturas de cielorraso de 2.34 m (7'8") a 5.94 m (10'3"). No instale la escalera de ático en un cielorraso que tenga una altura que esté fuera de esa gama. La alteración de la escalera de ático para adaptarse a otras alturas es insegura.

a. Para ahorrar tiempo y prevenir accidentes, antes de comenzar la instalación inspeccione la escalera de ático para verificar si hubo algún daño durante el transporte.

- **Revise el panel de la puerta de madera para ver si hay grietas y alabeo**
- Revise todas las piezas metálicas para ver si hay daños, como combas y rajaduras
- Verifique que todos los remaches estén firmes

Si hubiera elementos faltantes o dañados, póngase en contacto con el punto de venta o con el servicio al cliente de Werner Co., llamando al 888-523-3370

b. Usted debe tener

- 2 personas que puedan levantar la escalera de ático de 22.7 kg (50 lb.) hasta el espacio superior.

c. Usted debe tener

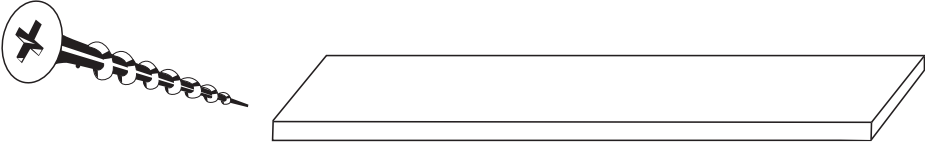
- Una abertura sin terminar de 57.1 cm (22-1/2") x 137.1 cm (54") para AH2210 y 63.5 cm (25") x 137.1 cm (54") para AH2510 en el cielorraso. Si no fuera así pase al Apéndice, Sección 1.1, página 32.

d. Verifique los requisitos de espacio libre:

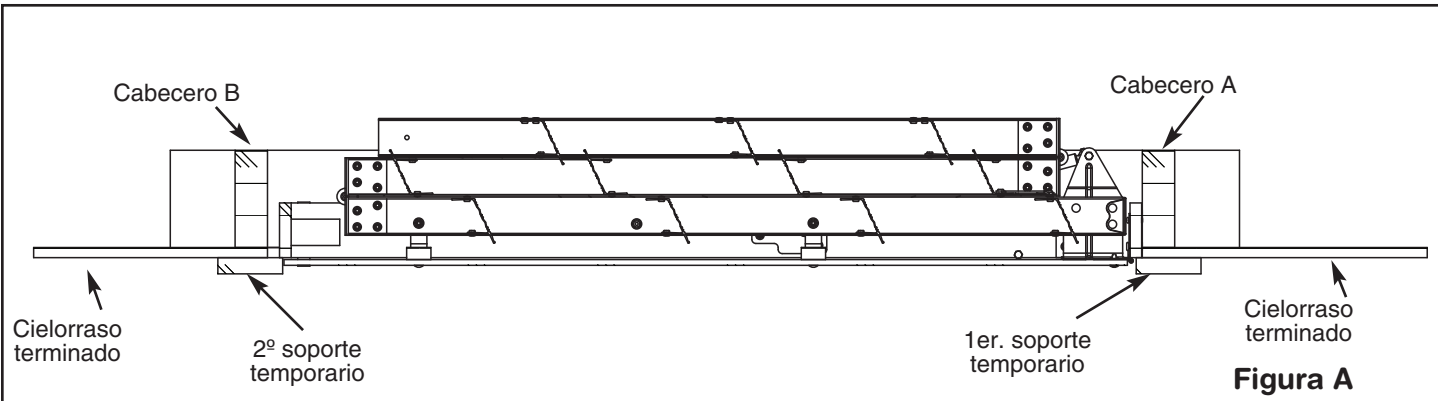
- Vea el Apéndice, Sección 1.3, Figura 3, página 34

**Video por Internet de instalación paso a paso sin dificultad**  
**[www.wernerladder.com/atticladder](http://www.wernerladder.com/atticladder)**

# Paso 1: PREPARACIÓN DE LA ABERTURA EXISTENTE PARA LA ESCALERA DE ÁTICO PARA LA INSTALACIÓN

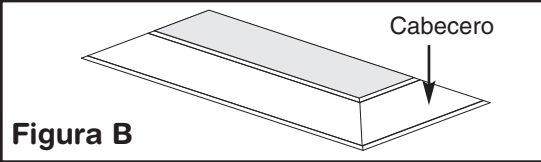
MATERIALES ADICIONALES NECESARIOS		HERRAMIENTAS NECESARIAS
(6) Tornillos para cubierta Nº 8, 50.8 mm (2")	Tableros de soporte temporario, 1 x 4 (2 unidades de 81.2 cm (32") de longitud aproximadamente)	Escalera tipo tijera Martillo Cinta métrica Lápiz Escuadra de carpintero Taladro Destornillador Phillips
		

Luego de completar los pasos 1 y 2, el marco de su escalera quedará instalado a ras de la cara inferior del cielorraso terminado.

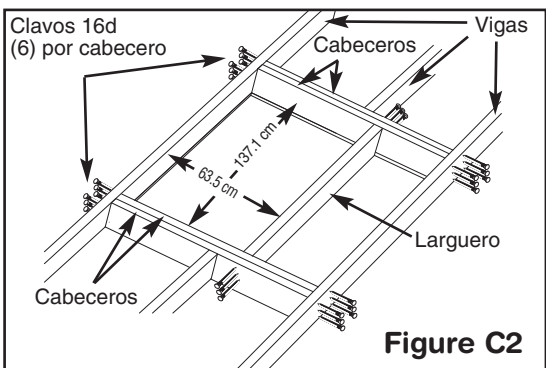
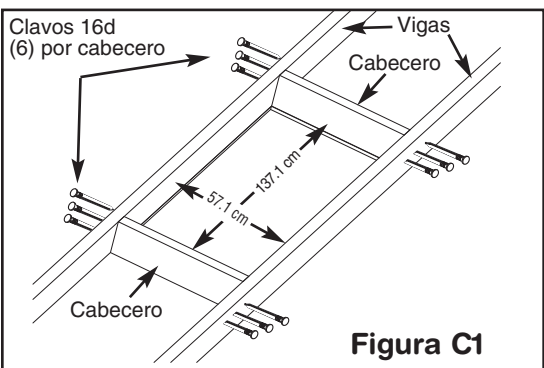


## 1. PREPARACIÓN DE LA ABERTURA EXISTENTE (vea la Figura B):

- Retire toda moldura y elemento metálico que rodee la abertura.
- Inspeccione la abertura para escalera de ático existente, para asegurarse de que cumpla con los requisitos mínimos de construcción y sus medidas sean 57.1 cm (22-1/2") x 137.1 cm (54") (AH2210 Figura C1) o 63.5 cm (25") x 137.1 cm (54") (AH2510 Figura C2).
- Si fuera necesario modificar o crear una nueva abertura, consulte el Apéndice, Sección 1.1, página 32.



Para obtener los mejores resultados, asegúrese de que la zona del cielorraso que rodea a la abertura sea plana y esté en buen estado, y que todos los lados de la abertura sean planos, y estén a plomo y en buen estado.

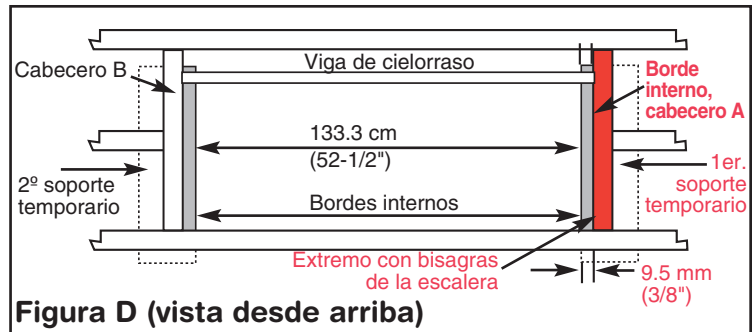


**Paso 1 (continuación)**

**PREPARACIÓN DE LA ABERTURA EXISTENTE PARA LA ESCALERA DE ÁTICO PARA LA INSTALACIÓN**

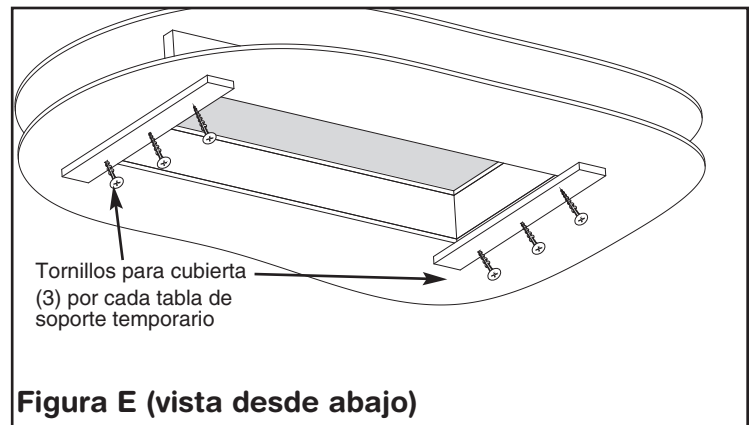
**2. COLOCACIÓN DE LAS TABLAS DE SOPORTE TEMPORARIO:**

Es necesario sostener en forma temporaria la escalera en la abertura preliminar preparada, mediante tablas de 1 x 4 x 32" (81.2 cm) que se extiendan de borde a borde a través de cada extremo de la abertura. Las tablas forman una cornisa que sostiene la escalera hasta que se la asegure en forma permanente. Es importante tener cuidado al posicionar las tablas.



**Figura D (vista desde arriba)**

- a. Asegure el primer soporte temporal a 9.5 mm (3/8") del borde interno del cabecero 'A'. El cabecero 'A' es el extremo en el que va a colocarse la bisagra de la escalera. Asegúrese de que los tres (3) tornillos penetren en el cabecero. (Vea las Figuras D y E).
- b. Midiendo desde el borde interno del primer soporte temporal, asegure el segundo soporte temporal de modo que el borde interno esté a 133.3 cm (52-1/2") del borde interno del primer soporte temporal. (Vea la Figura D).
- c. Asegúrese de que tanto el primero como el segundo soporte temporal estén asegurados firmemente en los cabeceros respectivos. (Vea la Figura E).



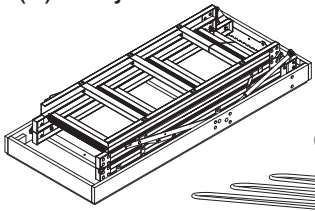
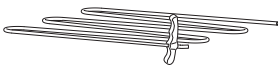
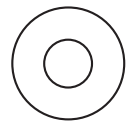


**Figura E (vista desde abajo)**

**⚠ ADVERTENCIA**  
 Asegúrese de que las tablas de soporte temporal estén separadas 133.3 cm (52-1/2") en ambos lados de la abertura.  
 Si las tablas de soporte temporal no están espaciadas correctamente, es probable que la escalera de ático caiga desde el cielorraso.

**⚠ ADVERTENCIA**  
 Las tablas de soporte deben estar sujetadas firmemente para sostener en forma temporaria el peso de la escalera cuando se la coloca en la abertura preliminar.

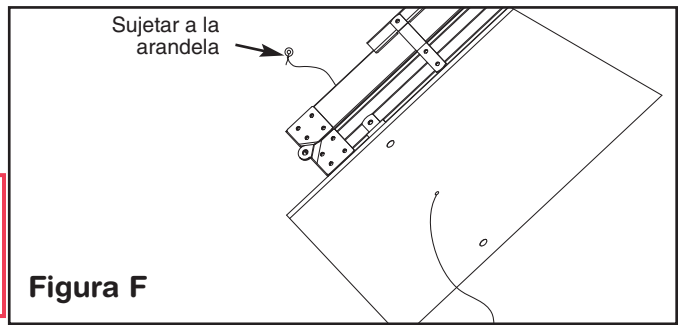
**SU ABERTURA PARA ESCALERA DE ÁTICO ESTÁ AHORA PREPARADA PARA LA INSTALACIÓN. CONTINÚE CON EL PASO 2: COLOCACIÓN DE LA ESCALERA EN LA ABERTURA PREPARADA**

## Paso 2: COLOCACIÓN DE LA ESCALERA EN LA ABERTURA PREPARADA

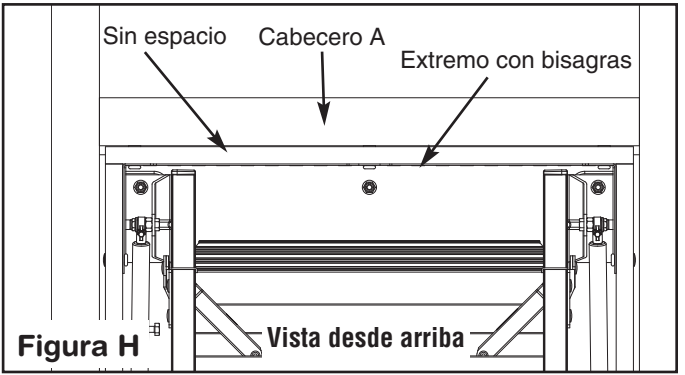
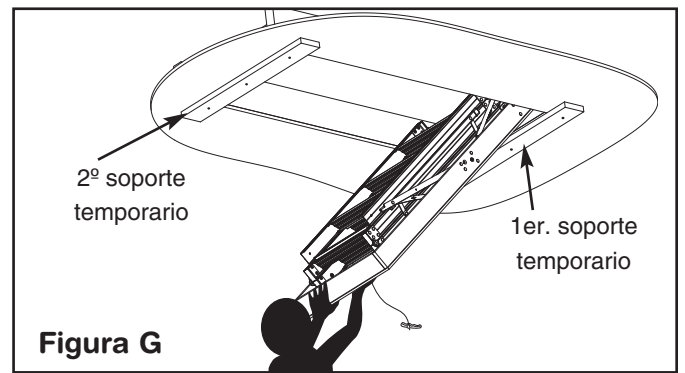
COMPONENTES INCLUIDOS	SUJETADORES INCLUIDOS	MATERIALES ADICIONALES NECESARIOS	HERRAMIENTAS NECESARIAS
(1) conjunto de escalera  (1) cuerda de halado 	(1) arandela 1/4"-20 	Cuñas  (4) Tornillos para cubierta Nº 8, 50.8 mm (2") 	Escalera tipo tijera Cinta métrica Martillo Taladro Destornillador Phillips

**ADVERTENCIA**  
 NO retire la cuerda de nilón que mantiene unidas las secciones de la escalera hasta después de que la escalera haya estado correctamente instalada y asegurada.

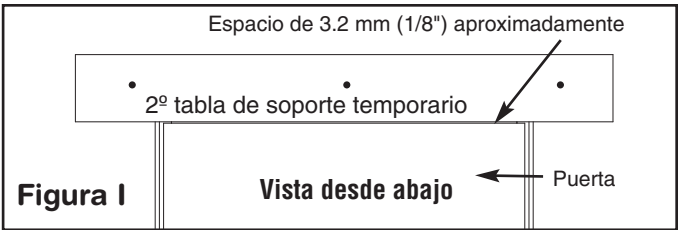
**ADVERTENCIA**  
 Tenga cuidado cuando utilice una escalera tipo tijera para entrar y salir del espacio superior



- COLOCACIÓN DE LA CUERDA DE HALADO (vea la Figura F):
  - Pase el extremo pequeño de la cuerda de halado suministrado a través del agujero previamente taladrado de la puerta, y sujételo a la arandela. Usted puede ajustar la longitud de la cuerda de halado después de que la escalera esté completamente instalada.
- ELEVACIÓN DE LA ESCALERA EN LA ABERTURA SIN TERMINAR:
  - Una persona debe estar en el ático antes de elevar la escalera.
  - Eleve la escalera a través de la abertura sin terminar en forma oblicua, para que la escalera no interfiera con las tablas de soporte temporario. (Vea la Figura G).
  - Posicione la escalera en la abertura sin terminar de modo que se apoye firmemente sobre las tablas de soporte temporario. Deslice la escalera de modo que el extremo con bisagras del marco de madera esté apoyado firmemente contra el cabecero 'A' (vea la Figura H). Asegúrese de que la puerta de madera laminada no esté impedida de abrirse por las tablas de soporte (vea la Figura I). Si está obstruida, revise la posición de las tablas de soporte en el paso 1.



**ADVERTENCIA**  
 No coloque ningún peso sobre la escalera hasta que esté instalada en forma permanente en el paso 3, página 28.  
 La persona que está en el espacio superior debe permanecer allí hasta que la instalación haya finalizado.



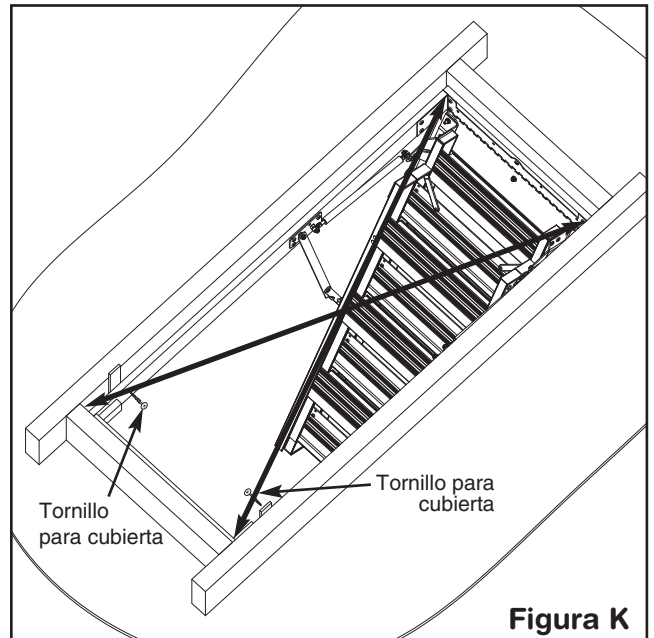
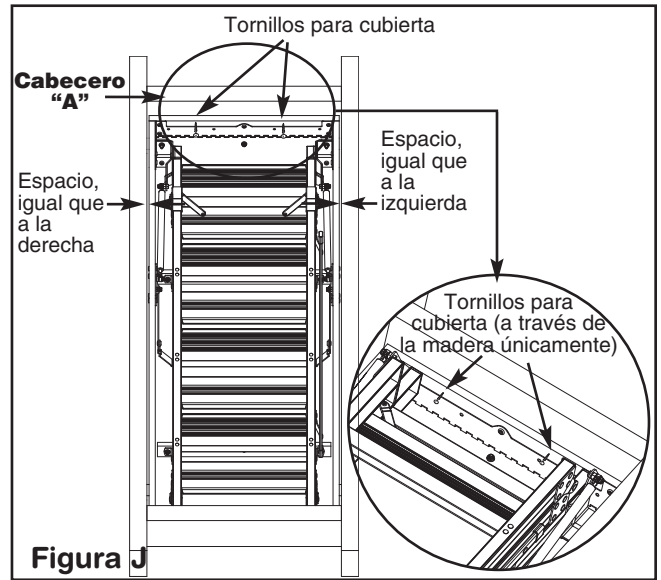


**Paso 2 (continuación)**

**COLOCACIÓN DE LA ESCALERA EN LA ABERTURA PREPARADA**

**3. ESCUADREO DE LA ESCALERA EN LA ABERTURA:**

- a. Centre el extremo con bisagras de la escalera en el cabecero "A" de modo que haya igual espacio en ambos lados (vea la Figura J). Inserte dos (2) tornillos (vea la Figura J), para sujetar el marco al cabecero "A". Los tornillos deben pasar a través del marco de madera únicamente. Los agujeros de la placa de la bisagra de acero son para utilizar en el paso 3.
- b. Abra la puerta de la escalera tirando de la cuerda en línea recta hacia abajo. Las secciones de la escalera deben permanecer plegadas con las cuerdas de nilón sujetadas.
- c. Coloque cuñas en el marco si es necesario, en las ubicaciones de las esquinas (vea la Figura K) de modo que las dos dimensiones diagonales sean iguales. El marco es cuadrado cuando las dimensiones son iguales. Si no puede lograrse mediante las cuñas que las dimensiones difieran en menos de 3.2 mm (1/8"), es posible que se necesite reposicionar el extremo con bisagras de la escalera (vea la Figura K).

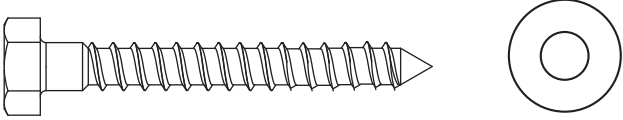
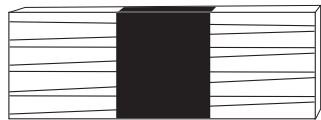


**Si no se escuadra correctamente el marco, puede ser que la escalera se cierre en forma oblicua. Si esto ocurre, puede haber contacto entre el marco y la escalera, lo que hará que la puerta no cierre correctamente. Revise el marco para verificar su escuadra, midiendo las diagonales (vea la Figura K). Las dos dimensiones deben diferir en menos de 3.2 mm (1/8") para que el conjunto se considere a escuadra.**

- d. Inserte dos (2) tornillos, como se muestra, en el extremo opuesto de la bisagra, para sostener las cuñas en su posición. No inserte los tornillos a través de los bloques. (Figura K)

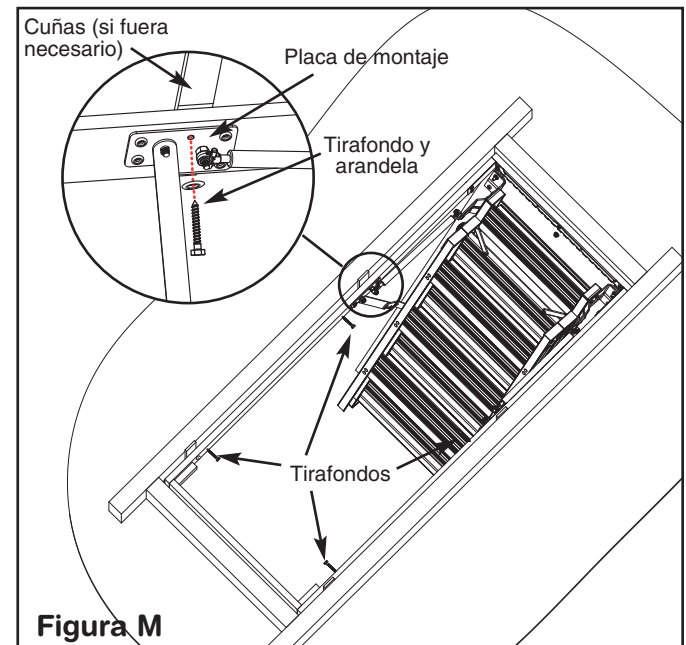
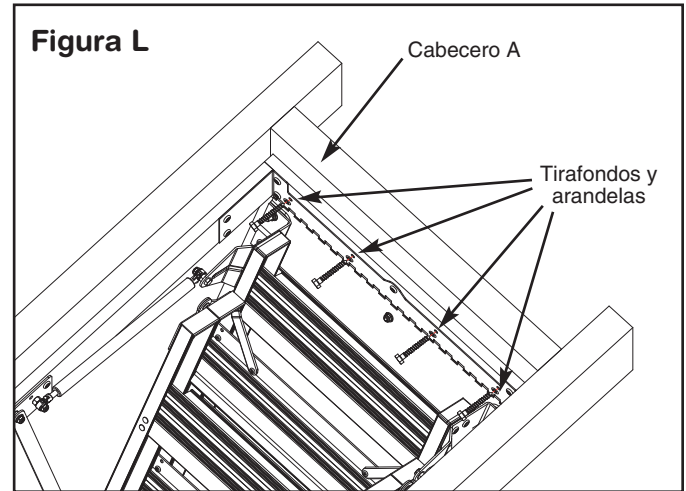
**SU ESCALERA DE ÁTICO HA SIDO COLOCADA CORRECTAMENTE EN LA ABERTURA PREPARADA. CONTINÚE CON EL PASO 3: MONTAJE PERMANENTE DE LA ESCALERA.**

## Paso 3: MONTAJE PERMANENTE DE LA ESCALERA

SUJETADORES INCLUIDOS	MATERIALES ADICIONALES NECESARIOS	HERRAMIENTAS NECESARIAS
<p>(10) Tirafondos de cabeza hexagonal de 6.4 mm (1/4"), longitud 76.2 mm (3")</p> <p>(10) Arandelas de 6.4 mm (1/4")</p> 	<p>Cuñas</p> 	<p>Escalera tipo tijera                      Taladro                      Broca para taladro, 3.2 mm (1/8")                      Llave, 11.1 mm (7/16") (1)                      Martillo</p>

### 1. FIJACIÓN DE LA ESCALERA EN LA ABERTURA SIN TERMINAR:

- a. Haga un taladrado previo de cuatro (4) agujeros de guía de 3.2 mm (1/8") e instale cuatro (4) tirafondos de cabeza hexagonal de 6.4 mm x 76.2 mm (1/4" x 3") en el Cabecero "A", utilizando la placa de la bisagra como plantilla (vea la Figura L). Deben utilizarse cuatro (4) arandelas de 6.4 mm (1/4") debajo de las cabezas de los tirafondos.
- b. Si fuera necesario, coloque cuidadosamente cuñas detrás de las placas de montaje (vea el detalle de la Figura M). No arquee los lados del marco de la escalera con las cuñas. Haga un taladrado previo de dos (2) agujeros de guía de 3.2 mm (1/8") e instale dos (2) tirafondos de cabeza hexagonal de 6.4 mm x 76.2 mm (1/4" x 3") en las placas de montaje. Deben utilizarse dos (2) arandelas de 6.4 mm (1/4") debajo de las cabezas de los tirafondos (vea la Figura M).
- c. Haga un taladrado previo de cuatro (4) agujeros de guía de 3.2 mm (1/8") aproximadamente, como se muestra. Instale cuatro (4) tirafondos de cabeza hexagonal de 6.4 mm x 76.2 mm (1/4" x 3"). Deben utilizarse cuatro (4) arandelas de 6.4 mm (1/4") debajo de las cabezas de los tirafondos.
- d. Asegúrese de que la puerta cierre sin interferencia. Vuelva a ajustar las cuñas si fuera necesario.



Recorte la porción de las cuñas que sobresalen por arriba y por debajo del marco. **Las cuñas que sobresalen por encima del marco significan un riesgo de tropiezo y caída, por lo que deben recortarse.**

### 2. RETIRE LAS TABLAS DE SOPORTE TEMPORARIO

**SU ESCALERA DE ÁTICO SE HA MONTADO EN FORMA PERMANENTE EN LA ABERTURA. CONTINÚE CON EL PASO 4: AJUSTE DE LA ALTURA DE LA ESCALERA.**

## Paso 4: AJUSTE DE LA ALTURA DE LA ESCALERA

### HERRAMIENTAS NECESARIAS

Sierra para metales  
Cinta métrica

Lápiz  
Escuadra de carpintero

La sección inferior de la escalera puede requerir un recorte y ajuste de los pies a la altura correcta.

1. TOMA DE MEDIDA (vea la Figura N):
  - a. Con la escalera sin extender en la posición totalmente abierta, mida la altura 'Y' desde la cara inferior del marco de madera de la escalera de ático hasta el piso. Antes de continuar con el próximo paso, consulte la Tabla 1.



#### ADVERTENCIA

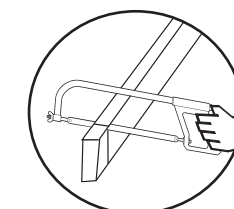
La escalera de ático debe ajustarse para que alcance la altura correcta cuando se instale. Si no se hace así, pueden producirse daños en la escalera y el usuario puede sufrir lesiones.

2. RECORTE DE LA SECCIÓN INFERIOR:
  - a. Retire la cuerda de nilón que mantiene unidas las secciones de la escalera.
  - b. Pliegue la sección inferior de la unidad debajo de la sección media (vea la Figura O).
  - c. Mida la distancia de corte requerida 'X', definida en la Tabla 1, desde la cara inferior de la sección inferior, y marque una línea recta perpendicular a la barandilla mediante un lápiz y una escuadra de carpintero (vea la Figura O).
  - d. Corte con una sierra para metales la parte sobrante de la sección inferior, en la línea marcada en el paso c.
  - e. Extienda la sección inferior de la unidad hasta la posición abierta.

Brazos de soporte

Figura N

Figura O



Corte de acuerdo con las medidas

X

Corte debajo del peldaño (sólo para las dimensiones entre 236.2 cm y 233.7 cm de la tabla)

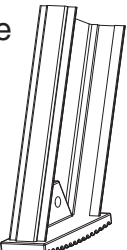
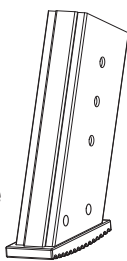
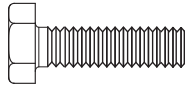

Figura P

SU ESCALERA DE ÁTICO SE HA AJUSTADO CORRECTAMENTE.  
CONTÍNUÉ CON EL PASO 5: INSTALACIÓN DE LOS PIES

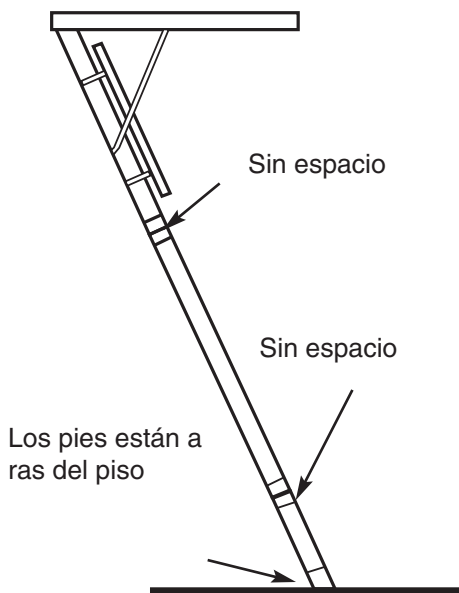
Distancia 'Y'		'X'	Distancia 'Y'		'X'
Si su altura es menor que:	Pero mayor o igual a:	El corte es:	Si su altura es menor que:	Pero mayor o igual a:	El corte es:
	312.4 cm	0 cm	274.3 cm	271.8 cm	43.8 cm
312.4 cm	309.9 cm	2.5 cm	271.8 cm	269.2 cm	47.0 cm
309.9 cm	307.3 cm	5.1 cm	269.2 cm	266.7 cm	49.5 cm
307.3 cm	304.8 cm	7.6 cm	266.7 cm	264.2 cm	52.1 cm
304.8 cm	302.3 cm	10.8 cm	264.2 cm	261.6 cm	59.7 cm
302.3 cm	299.7 cm	13.3 cm	261.6 cm	259.1 cm	59.7 cm
299.7 cm	297.2 cm	15.9 cm	259.1 cm	256.5 cm	61.0 cm
297.2 cm	294.6 cm	19.1 cm	256.5 cm	254.0 cm	64.1 cm
294.6 cm	292.1 cm	21.6 cm	254.0 cm	251.5 cm	66.7 cm
292.1 cm	289.6 cm	29.2 cm	251.5 cm	248.9 cm	69.2 cm
289.6 cm	287.0 cm	29.2 cm	248.9 cm	246.4 cm	72.4 cm
287.0 cm	284.5 cm	30.5 cm	246.4 cm	243.8 cm	74.9 cm
284.5 cm	281.9 cm	33.0 cm	243.8 cm	241.3 cm	77.5 cm
281.9 cm	279.4 cm	35.6 cm	241.3 cm	238.8 cm	81.3 cm
279.4 cm	276.9 cm	38.7 cm	238.8 cm	236.2 cm	83.2 cm
276.9 cm	274.3 cm	41.3 cm	236.2 cm	233.7 cm	Vea Figura P

Tabla 1

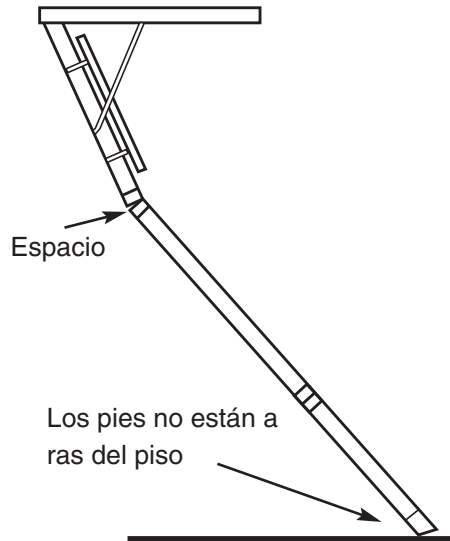
## Paso 5: INSTALACIÓN DE LOS PIES

COMPONENTES Y SUJETADORES INCLUIDOS	HERRAMIENTAS NECESARIAS
<p>(1) conjunto de pie derecho</p>  <p>(1) conjunto de pie izquierdo</p>  <p>(4) tornillos de cabeza hexagonal 1/4"-20, longitud 19.1 mm (3/4")</p>  <p>(4) tuercas de seguridad 1/4"-20</p> 	<p>Sierra para metales Cinta métrica Lápiz Taladro Broca para taladro, 7.1 mm (9/32") Escuadra de carpintero Llave, 11.1 mm (7/16") (2)</p>

Al completar el paso 5, las bisagras de su escalera no deben tener ningún espacio, como se muestra en la 'disposición correcta'



**Disposición correcta**



**La sección inferior es demasiado larga**



**La sección inferior es demasiado corta**

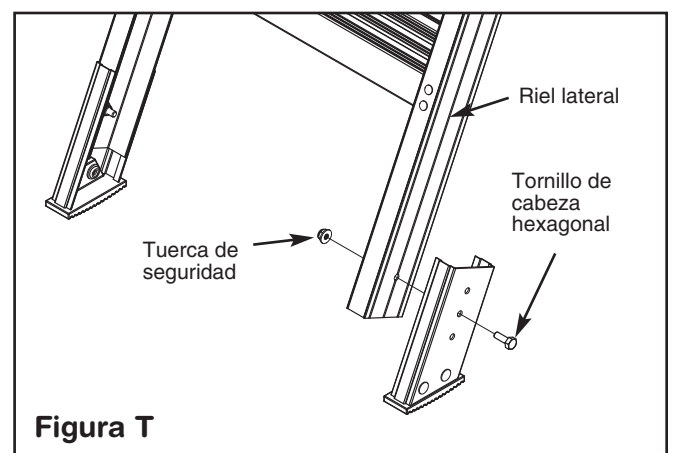
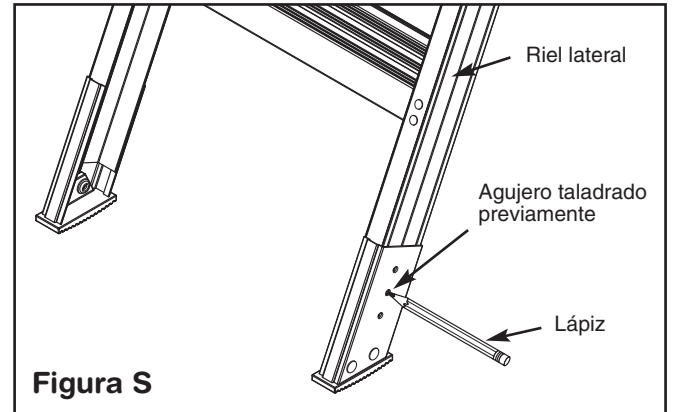
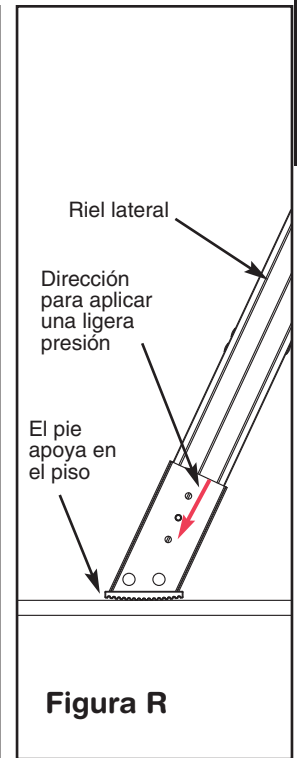
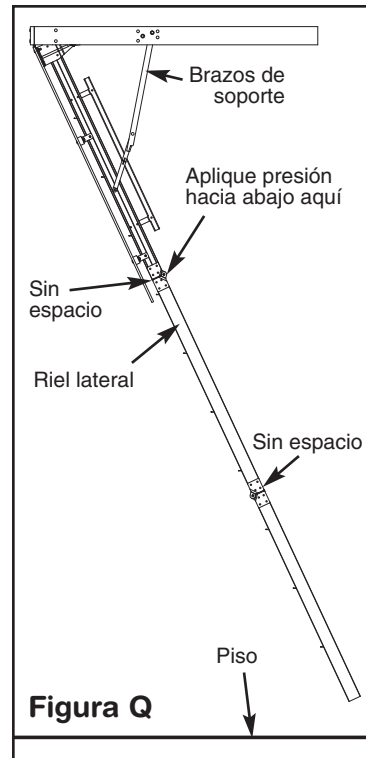
### ⚠️ ADVERTENCIA

La sección inferior debe estar a ras del piso. Si no se ajustan correctamente los pies de la escalera podría producirse un esfuerzo innecesario en los componentes, y esto puede resultar en lesiones graves.

## Paso 5 (continuación) INSTALACIÓN DE LOS PIES

### 1. UBICACIÓN CORRECTA DE LOS PIES:

- Asegúrese de que las secciones de la escalera estén completamente extendidas, y que los brazos de soporte estén completamente abiertos. Aplique presión, como se muestra, para asegurarse de que la escalera esté totalmente extendida (vea la Figura Q).
- Coloque el pie sobre el riel lateral, y deslícelo hacia abajo hasta que suelo de caucho del pie apoye firmemente en el piso. Aplique una ligera presión, como se muestra (vea la Figura R).
- Marque la ubicación para taladrar un agujero a través del riel lateral de la sección inferior, utilizando uno de los agujeros previamente taladrados en el pie ajustable como plantilla. Retire el pie y verifique la posición del agujero antes de taladrar. Taladre un agujero de 7.1 mm (9/32") a través del riel (vea la Figura S).
- Instale el pie ajustable y ajústelo mediante el tornillo de cabeza hexagonal de 6.4 mm (1/4") y la tuerca de seguridad provistos (vea la Figura T).
- Repita los pasos a por d para el otro lado de la escalera.



**¡FELICITACIONES! SU ESCALERA ESTÁ AHORA  
COMPLETAMENTE INSTALADA Y LISTA PARA USAR.**

# Apéndice CREACIÓN DE UNA ABERTURA SIN TERMINAR

## Sección 1.1

### PREGUNTAS IMPORTANTES

#### ¿Su estructura de vigas y cielorraso es adecuada para esta instalación?

Esta escalera de ático puede instalarse en estructuras con marcos de madera de techo convencionales (vea la Figura 1). Si existe un cielorraso, usted debe tener una abertura de acceso en el mismo que le permita ingresar al espacio superior para una inspección previa a la instalación.

Las estructuras de sostén de techo que tienen riostras unidas a las vigas del cielorraso, así como las que utilizan entramados (vea la Figura 1), no pueden cortarse sin destruir la capacidad portante de esa sección del techo. No corte vigas que sean parte de un entramado o marco convencional arriostrado sin consultar primero a un arquitecto o un ingeniero de estructuras (vea en las páginas amarillas 'Arquitectos o de estructuras').

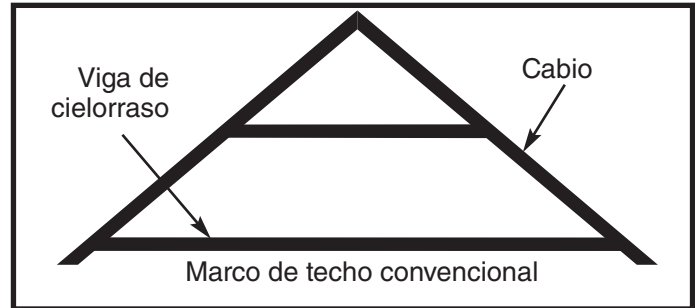


Figura 1

ingenieros

La escalera de ático *no* debe instalarse en un cielorraso que tenga alguna de estas características:

- componentes de sistemas de calefacción/refrigeración empotrados en el cielorraso
- vigas hechas de materiales que no sean madera
- yeso con refuerzo metálico
- cielorraso suspendido

Si su cielorraso contiene alguno de estos elementos, no intente instalar la escalera de ático. Póngase en contacto con un profesional para que le ayude con sus necesidades específicas (vea en las páginas amarillas 'Contratistas de calefacción y refrigeración, Contratistas de construcción, Carpinteros, Constructores, Mejoras en el hogar, o Contratistas en general').

#### ¿Estas instrucciones satisfacen sus necesidades?

Estas instrucciones describen cómo instalar la escalera de ático paralela o perpendicular a las vigas del cielorraso. Si desea instalar la escalera de ático en alguna otra dirección en relación con las vigas, póngase en contacto con un profesional.

#### ¿Su estructura de vigas y cielorraso es adecuada para esta instalación?

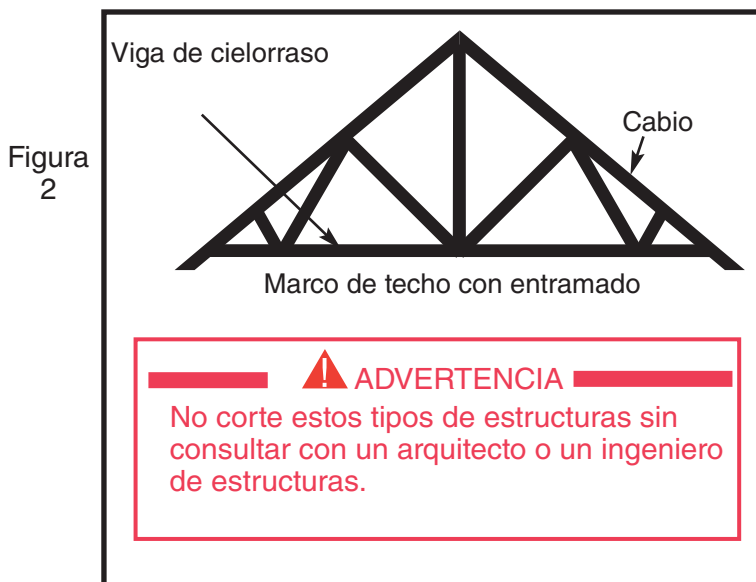
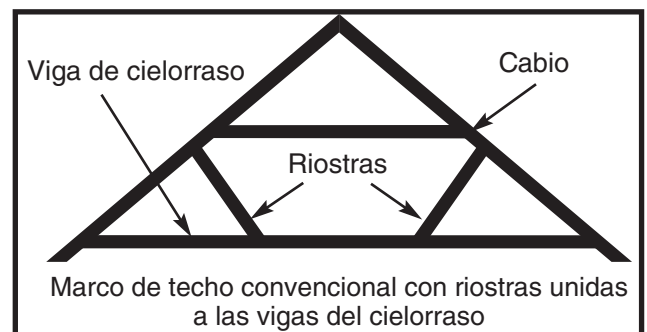


Figura 2





## HERRAMIENTAS Y MATERIALES NECESARIOS

### Materiales:

- Varios trozos de madera del tamaño de las vigas (la cantidad depende de la instalación específica).
- Clavos 'sinker' 16d o tornillos de resistencia equivalente (24 – 60, según la instalación específica).
- Donde haya cortes de vigas, se necesitan para la instalación clavos 'sinker' 20d o tornillos de resistencia equivalente.

### Escalera tipo tijera:

- Usted necesita una escalera tipo tijera que sea suficientemente alta para permitirle ingresar al espacio superior sin pararse más arriba de la altura de trabajo de la misma. La altura de trabajo de la escalera tipo tijera es dos peldaños debajo del extremo superior.
- Su escalera tipo tijera debe tener también una capacidad de carga que sea mayor que la suma de su peso más el peso de la escalera de ático.



### ADVERTENCIA

Tenga cuidado cuando utilice una escalera tipo tijera para entrar y salir del espacio superior

### Herramientas para crear una abertura sin terminar:

- Linterna o lámpara con extensión
- Martillo de carpintero
- Lápiz
- Serrucho o sierra eléctrica
- Cinta métrica
- Escuadra de carpintero
- Herramientas para cortar un agujero en el cielorraso existente

### Equipos de seguridad:

- Guantes
- Anteojos de seguridad
- Máscara antipolvo

# ELECCIÓN DE UNA UBICACIÓN ADECUADA

**Antes de continuar:** usted debe tener una estructura de vigas y cielorraso adecuada, las herramientas y materiales necesarios, y una ubicación plana y nivelada en el cielorraso.

**Objetivo:** Encontrar una ubicación libre de riesgos y obstrucciones, que proporcione lugar suficiente para la instalación y utilización de la escalera de ático. Evite instalar la escalera de ático sobre otras escalinatas.

**Paso 1.** Elija una ubicación posible para la instalación. Verifique que el tamaño de la abertura sin terminar sea 57.1 cm (22-1/2") x 137.1 cm (54") (AH2210) o 63.5 cm (25") x 137.1 cm (54") (AH2510).

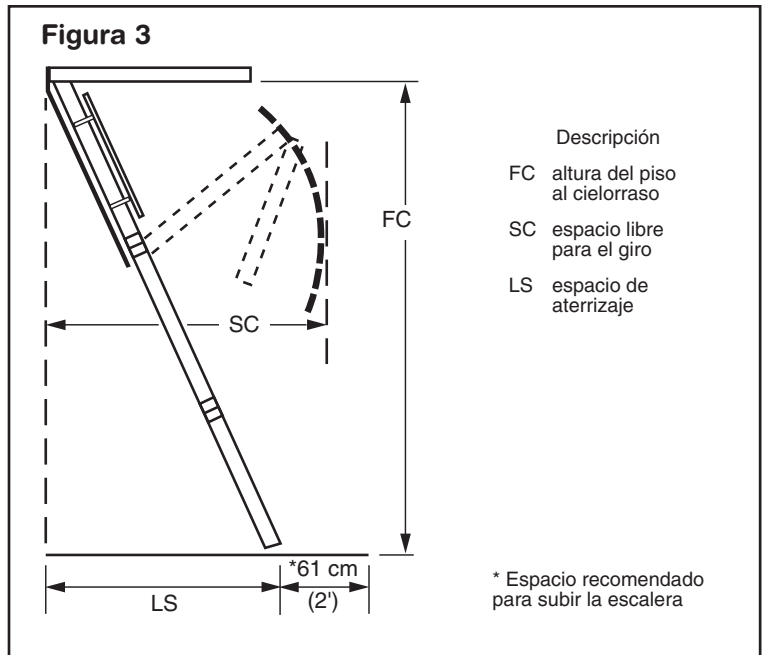
**Paso 2.** Si no hay cielorraso y la escalera de ático cabe entre las vigas de modo que no se necesite cortar ninguna, vaya a la Sección 1.6, página 37, 'ENMARCADO DE LA ABERTURA SIN TERMINAR'.

Si no hay cielorraso pero se necesita cortar una o más vigas vaya a la Sección 1.5, página 36, 'CORTE DE LAS VIGAS DEL CIELORRASO'.

Si existe cielorraso en ese lugar necesitará inspeccionar el área que está por encima, como se describe en los pasos 3 y 4.

**Paso 3.** Ingrese al espacio superior y localice el área que está encima de la ubicación que eligió. Esta área puede localizarse:

- A) escuchando leves golpes desde abajo
- B) midiendo distancias desde las paredes u otros objetos comunes al espacio superior y el lugar que está debajo.



SC	LS	FC
1.78 m (5' 10")	1.22 m a 1.60 m (4' 0" a 5' 3")	2.34 m (7' 8") mín. a 3.12 m (10' 3") máx.

**⚠ ADVERTENCIA**

No inserte clavos metálicos u otros objetos conductores en el cielorraso a menos que tenga la seguridad de que no harán contacto con cables eléctricos. El contacto con un cable eléctrico puede resultar en la muerte.

**Paso 4.** En esta ubicación en el espacio superior:

- A) Verifique que haya espacio suficiente para moverse con seguridad durante la instalación.
- B) Verifique, en el espacio superior, el espacio para almacenamiento adyacente a la ubicación elegida. Si se desea caminar o arrastrarse en el espacio superior, asegúrese de que haya espacio suficiente para hacerlo.
- C) Revise encima de su ubicación elegida si hay riesgos y obstrucciones como:
  - Cables eléctricos
  - Tuberías
  - Conductos de calefacción y refrigeración
  - Calderas
  - Calentadores de agua u otras obstrucciones

**⚠ ADVERTENCIA**

**Por su seguridad, tenga cuidado con los riesgos de trabajar en sitios elevados.**

No se pare ni se siente en el cielorraso o en el aislamiento que lo cubre - el cielorraso no está hecho para soportar su peso. Usted puede caer a través del cielorraso, aun cuando parezca sólido. Sólo las vigas pueden sostener peso.

Tenga cuidado con los clavos aguzados que asoman a través del techo.

**NOTA:** Para buscar por riesgos, necesitará mover el aislamiento desde la ubicación elegida. Lleve una máscara antipolvo, anteojos de seguridad y guantes para cubrir su cuerpo y prevenir cortes finos de la fibra de vidrio. Empuje el aislamiento suavemente para que no crear polvo que sea dañino a sus ojos y pulmones.

**Paso 5.** Si hay presencia de algún riesgo u obstrucción en la ubicación elegida, busque otra ubicación o haga que sean profesionales quienes quiten esos riesgos u obstrucciones (vea en las páginas amarillas 'Contratistas eléctricos, Contratistas de calefacción y refrigeración, y Contratistas de plomería').

Sección 1.4

# CORTE DE UN AGUJERO EN EL CIELORRASO

**Antes de continuar:** Usted debe disponer de una ubicación que

- A) esté libre de riesgos y obstrucciones en el espacio superior.
- B) esté libre de riesgos en el cielorraso.
- C) proporcione espacio suficiente para la instalación.
- D) proporcione espacio suficiente para utilizar la escalera de ático

**Objetivo:** Cortar en el cielorraso un agujero del tamaño correcto en la ubicación deseada.

- Paso 1.** Prepare la habitación; para ello desplace los muebles, cubra el piso con una cubierta protectora, y aleje a los niños y las mascotas a una distancia segura.
- Paso 2.** Colóquese anteojos de seguridad y una máscara antipolvo. Estos elementos evitarán que las partículas de cielorraso y el polvo penetren en sus ojos, boca y nariz cuando haga un agujero inicial y corte el cielorraso.
- Paso 3.** Con un martillo y un cincel, haga un agujero inicial cerca del centro de la ubicación elegida (vea la Figura 4).
- Paso 4.** Agrande la abertura con una sierra hasta que pueda ver una viga (vea la Figura 5).
- Paso 5.** Trace en el cielorraso un rectángulo del tamaño de la abertura sin terminar; éste debe ser 57.1 cm (22-1/2") x 137.1 cm (54") o 63.5 cm (25") x 137.1 cm (54"), y debe tener un borde paralelo a una viga (vea la Figura 6). Usted puede hacer esto aserrando hasta llegar a una viga, y utilizarla como marco de referencia.

Nota: la ubicación de al menos un borde de la abertura a lo largo de una viga de cielorraso permitirá utilizar la viga como un lado del marco que usted construirá. Esto simplificará el enmarcado de la abertura sin terminar.

- Paso 6.** Corte el resto del cielorraso dentro del contorno marcado, de acuerdo con estas instrucciones:
  - A) no corte todavía ninguna viga. Corte a través del cielorraso únicamente.
  - B) quite el cielorraso en trozos pequeños, porque el material del mismo puede ser muy pesado.
- Paso 7.** Si no hay vigas que atraviesen el agujero del cielorraso vaya a la Sección 1.6, página 37, 'ENMARCADO DE LA ABERTURA SIN TERMINAR'.  
Si hay vigas que atraviesen el agujero vaya a la Sección 1.5, página 36, 'CORTE DE LAS VIGAS DEL CIELORRASO'.

**⚠ ADVERTENCIA**

No asierre o serruche, corte ni martille en el cielorraso hasta haberse asegurado de que la ubicación esté libre de riesgos y obstrucciones, en el cielorraso y en el ático. El contacto con un cable eléctrico puede resultar en la muerte.

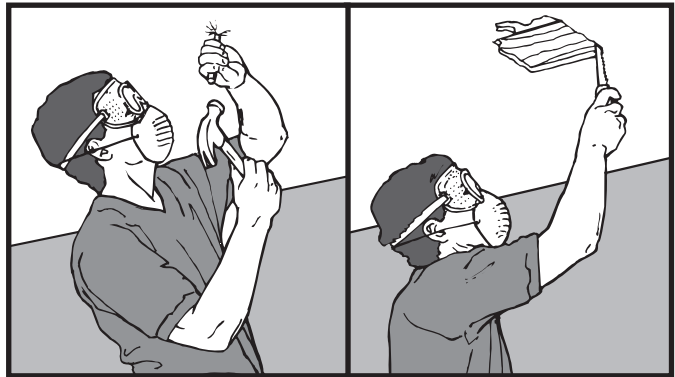


Figura 4

Figura 5

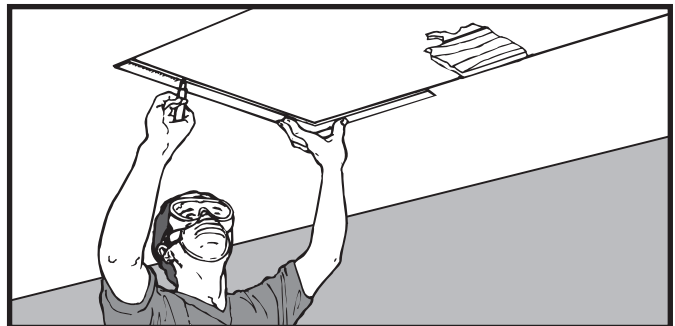


Figura 6

## CORTE DE LAS VIGAS DEL CIELORRASO

**Antes de continuar:** usted debe tener vigas expuestas, o un agujero del tamaño correcto en la ubicación deseada del cielorraso.

**Objetivo:** cortar las vigas que se interpongan en la ubicación elegida. Antes de cortar vigas debe unir las a otras vigas del ático superior, para evitar que el cielorraso se hunda o se desplome por completo.

**Paso 1.** Si la habitación tiene cielorraso y ya ha cortado el agujero necesario, vaya al paso 2.

Si la habitación no tiene cielorraso necesitará marcar las vigas de acuerdo con el párrafo (A) o (B), debajo.

(A) Si la ubicación elegida es paralela a las vigas, marque la longitud de la abertura sin terminar sobre las vigas (vea la Figura 7).

**No corte la viga en esta marca.**

(B) Si la ubicación elegida es perpendicular a las vigas, marque el ancho de la abertura sin terminar sobre las vigas (vea la Figura 8).

**No corte la viga en esta marca.**

**Paso 2.** Corte dos (2) tablas del tamaño de las vigas, y de longitud suficiente para atravesar dos (2) vigas a cada lado de la ubicación elegida (vea la Figura 9). Estas tablas sostendrán las vigas que se cortarán, ayudarán a que el cielorraso no se hunda se desplome por completo cuando usted esté trabajando en el espacio superior.

**Paso 3.** Coloque estas tablas aproximadamente a 60.9 cm (24") del borde de la ubicación elegida, y clávelas (vea la Figura 9).

**Nota:** La distancia de 60.9 cm (24") es necesaria a fin de brindarle lugar para martillar los clavos en el marco que usted construirá en la próxima sección.

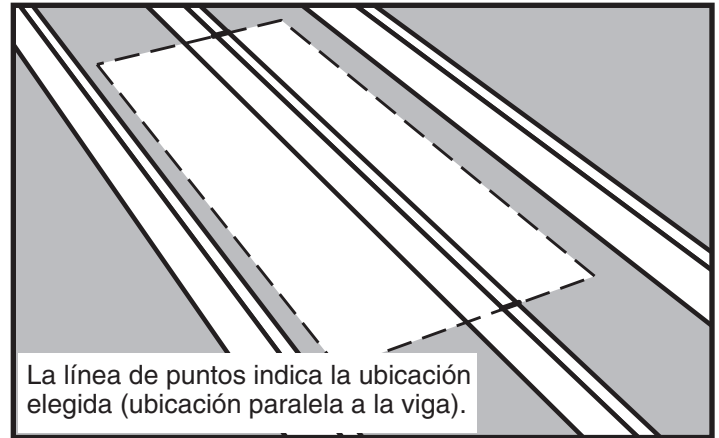


Figura 7

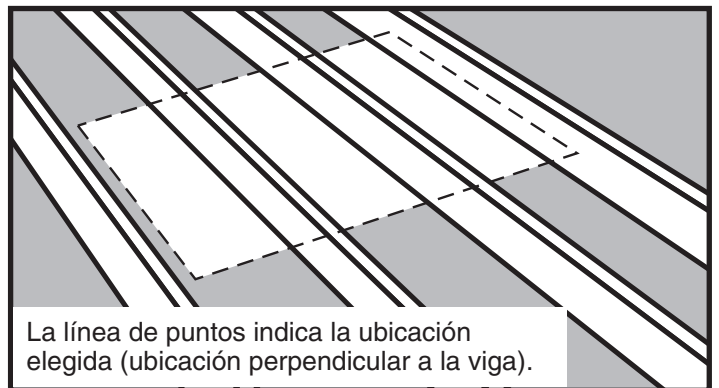


Figura 8

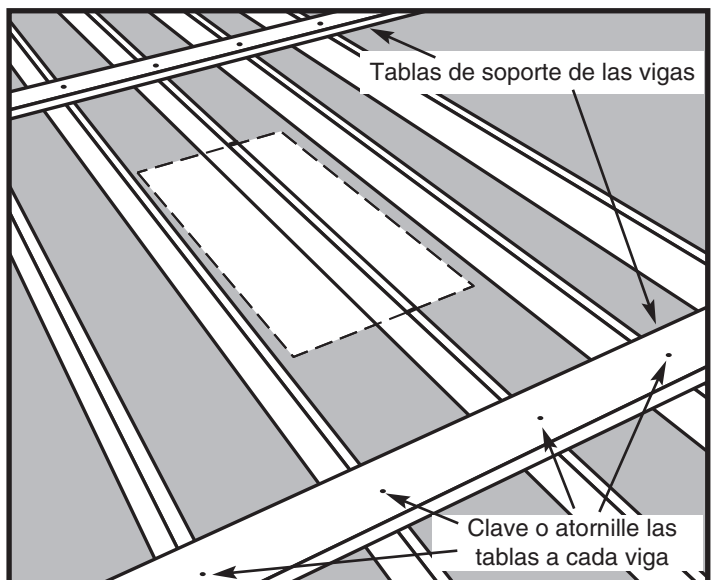


Figura 9

Sección 1.5 (continuación)

**CORTE DE LAS VIGAS DEL CIELORRASO**

**PASO 4.** Determine dónde se debe(n) cortar la(s) viga(s). La Figura 10 muestra dónde marcar la(s) viga(s) que atraviesan la ubicación elegida. Tenga en cuenta que la(s) viga(s) debe(n) marcarse por fuera de la ubicación elegida, a una distancia del borde de la misma que sea igual el doble del espesor de las vigas (generalmente 76.2 mm / 3 pulgadas). Esto deja espacio para colocar dos cabeceros del tamaño de las vigas contra cada extremo de la(s) viga(s) cortada(s) (vea la Figura 16 de la página 39).

**Nota:** En algunas casas, especialmente en las más antiguas, las vigas pueden ser más gruesas que la madera que usted puede comprar hoy en día. Si sus vigas tienen un espesor diferente que la madera que usted utilizará para los cabeceros, necesitará marcar las vigas a una distancia del borde de la ubicación elegida que sea igual al doble del espesor de los *cabeceros*, y no de las *vigas*.

**PASO 5.** Serruche o asierre la(s) viga(s). Cuide de no cortar a través del cielorraso, y asegúrese de que los extremos del corte de la(s) viga(s) sean planos y verticales.

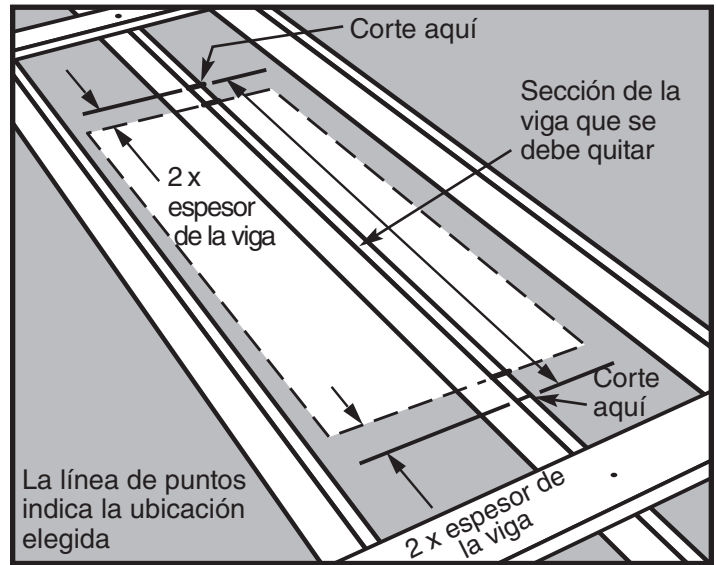


Figura 10

Sección 1.6

**ENMARCADO DE LA ABERTURA SIN TERMINAR**

**Antes de continuar:** Usted debe tener un espacio entre las vigas que sea como mínimo tan grande como la abertura sin terminar se muestre en la caja. Todas las vigas cortadas deben unirse a vigas no cortadas.

**Objetivo:** Crear un marco de cuatro lados, del tamaño de la abertura sin terminar, utilizando madera del tamaño de las vigas. Este marco se hará con largueros y cabeceros de espesor simple o doble, según la instalación particular. El marco es necesario para sostener la escalera de ático y para reforzar la estructura del cielorraso y el techo.

**⚠ ADVERTENCIA**

**Por su seguridad, tenga cuidado con los riesgos de trabajar en sitios elevados.**

No se pare ni se siente en el cielorraso o en el aislamiento que lo cubre: el cielorraso no está hecho para soportar su peso. Usted puede caer a través del cielorraso, aun cuando parezca sólido. Sólo las vigas pueden sostener peso. Para evitar caer a través del cielorraso puede ser necesario fabricar una plataforma de trabajo, tendiendo tablas transversalmente a la viga. Tenga cuidado con los clavos aguzados que asoman a través del techo.

## ENMARCADO DE LA ABERTURA SIN TERMINAR

### Instalación de los cabeceros

Si no se han cortado vigas, pase a 'Cabeceros simples', debajo.

Si se han cortado vigas, pase a 'Cabeceros dobles', en la página 39.

#### Cabeceros simples

- PASO 1.** Mida la longitud "H" del cabecero entre las vigas (vea la Figura 11).
- PASO 2.** Corte 2 cabeceros con esta longitud. Utilice madera del tamaño de las vigas.
- PASO 3.** Coloque uno de estos cabeceros en un extremo de la ubicación elegida (vea la Figura 12). El cabecero debe ajustar perfectamente entre las vigas. Martéllelo hasta su posición si fuera necesario; si a su longitud le sobra más de 1.6 mm (1/16"), recórtelo. Si a su longitud le falta más de 1.6 mm (1/16"), corte otro trozo.
- PASO 4.** Ponga el cabecero a escuadra respecto a una viga e inserte tres (3) clavos 16d en el cabecero, a través de la viga. Verifique la escuadra e inserte tres (3) clavos 16d en el cabecero, a través de la otra viga (vea la Figura 12). **Es muy importante que la tabla utilizada como cabecero esté verticalmente a plomo y horizontalmente a escuadra con las vigas laterales.**
- PASO 5.** Posicione el segundo cabecero a 137.1 cm (54") del primero, y repita el paso 4 (vea la Figura 13).

- PASO 6.** El marco para la abertura sin terminar necesita cuatro lados. Los cabeceros forman dos de esos lados. Si las vigas de su cielorraso están espaciadas de modo de formar los otros dos lados de la abertura sin terminar, revise la abertura para verificar la escuadra. Para ello, mida las diagonales. Las medidas deben diferir en menos de 3.2 mm (1/8") para que el conjunto se considere a escuadra (vea la Figura 13).

Si las vigas de su cielorraso no forman los otros dos lados de la abertura sin terminar, deberá instalar uno o dos trozos adicionales de madera para enmarcar los otros lados de la abertura; vaya a "Instalación de largueros", en la página 40.

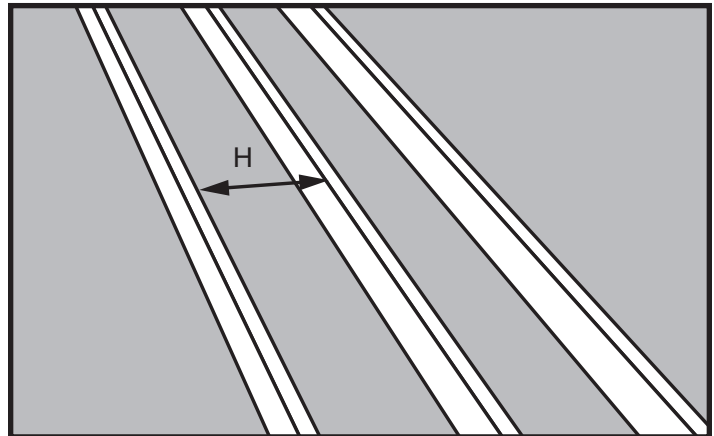


Figura 11

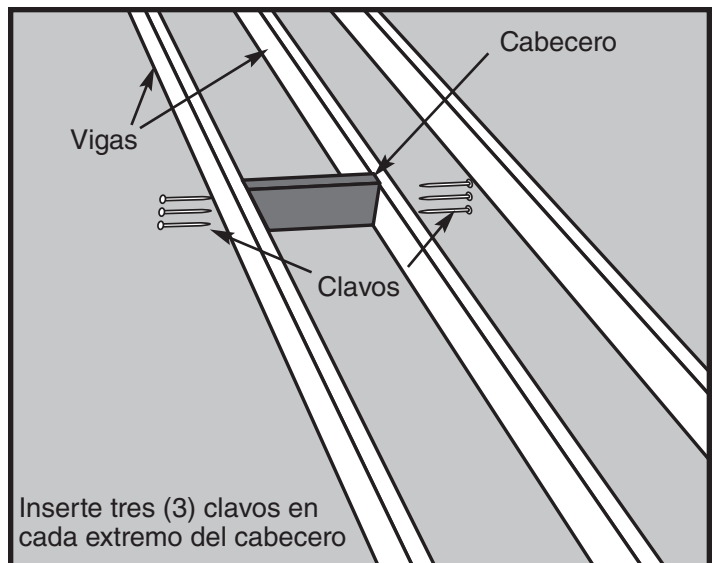


Figura 12

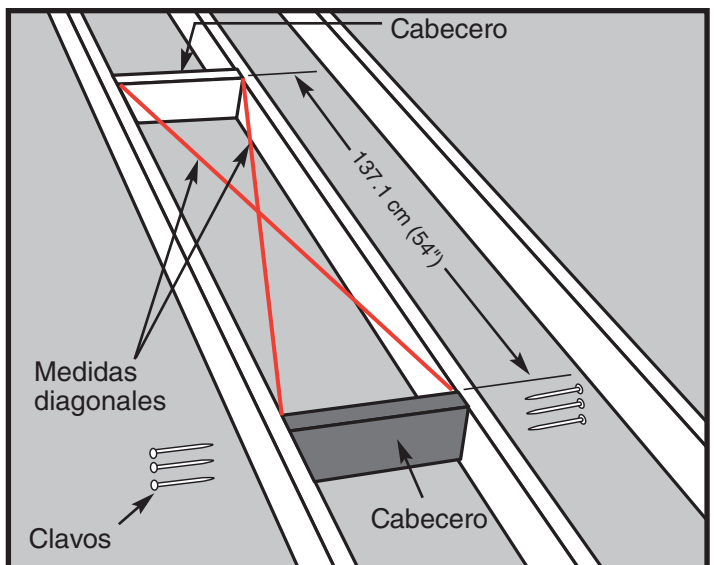


Figura 13 Cómo verificar la escuadra



## ENMARCADO DE LA ABERTURA SIN TERMINAR

### Cabeceros dobles

- PASO 1.** Mida la longitud "H" del cabecero entre las vigas no cortadas (vea la Figura 14).
- PASO 2.** Corte 4 cabeceros con esta longitud. Utilice madera del tamaño de las vigas.
- PASO 3.** Coloque uno de estos cabeceros contra el extremo de la(s) viga(s) cortada(s) (vea la Figura 15). Debe ajustar perfectamente entre las vigas sin cortar.
- Martíllelo hasta su posición si fuera necesario; si a su longitud le sobra más de 1.6 mm (1/16"), recórtelo. Si a su longitud le falta más de 1.6 mm (1/16"), corte otro trozo.
- PASO 4.** Ponga el cabecero a escuadra respecto a la viga no cortada, y únalo al extremo de la(s) viga(s) cortada(s) con tres (3) clavos 16d (vea la Figura 15).
- PASO 5.** Revise el cabecero para verificar su escuadra, y luego inserte tres (3) clavos 16d en cada extremo del cabecero, a través de cada viga (vea la Figura 15).
- PASO 6.** Coloque un segundo cabecero contra el primero, y únalo al primero con tres (3) clavos 16d en cada espacio entre vigas (vea la Figura 16).
- PASO 7.** Inserte tres (3) clavos 16d en cada extremo del segundo cabecero, a través de las vigas (vea la Figura 16).
- PASO 8.** Repita los pasos 3 a 7 para instalar los cabeceros en el extremo opuesto de la abertura.
- PASO 9.** Para enmarcar el (los) otro(s) lado(s) de la abertura sin terminar, vaya a 'Instalación de largueros', en la próxima página.
- PASO 10.** Retire las tablas de soporte temporario.

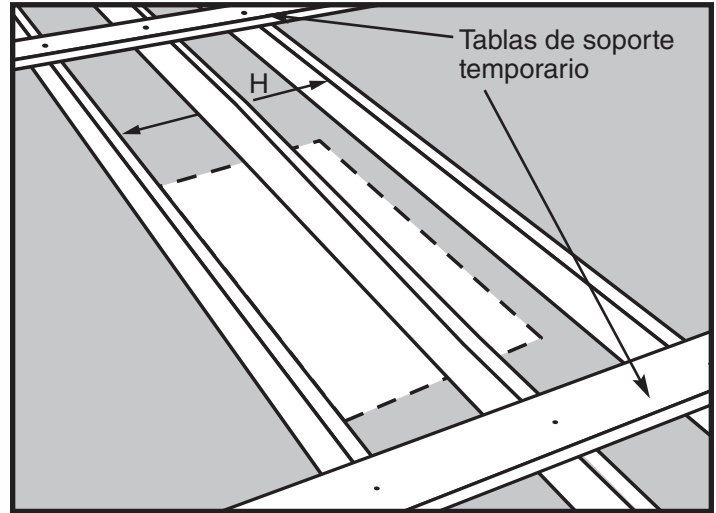


Figura 14

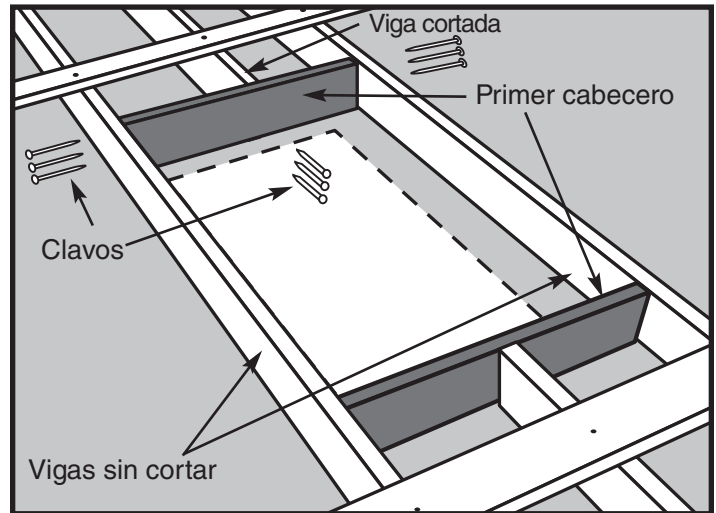


Figura 15

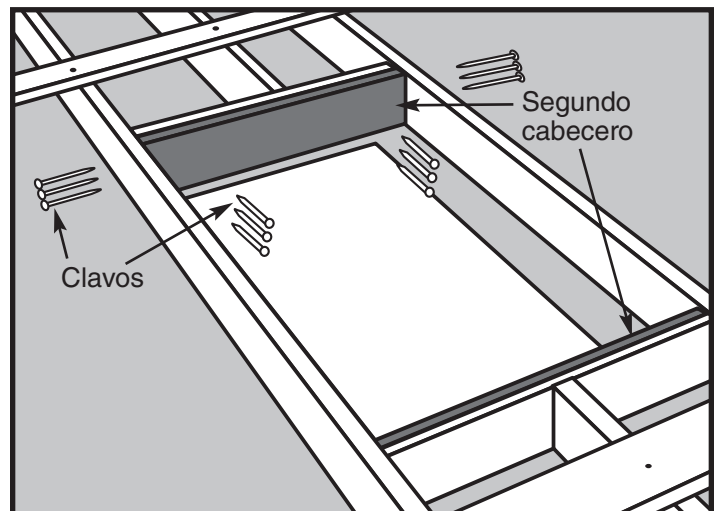


Figura 16

## ENMARCADO DE LA ABERTURA SIN TERMINAR

### Instalación de largueros

- PASO 1.** Mida la longitud "S" del larguero entre los cabeceros (vea la Figura 17).
- PASO 2.** Corte un larguero con esta longitud. Utilice madera del tamaño de las vigas.
- PASO 3.** Si no hay una viga del cielorraso que proporcione un lado del marco, corte un segundo larguero de la misma longitud del primero. Tenga en cuenta que en la Figura 17 se necesita un solo larguero, porque una viga del cielorraso proporciona un lado del marco.
- PASO 4.** Posicione el (los) larguero(s) a lo largo del (de los) lado(s) no enmarcado(s) de su ubicación (vea la Figura 18). Verifique que las dimensiones internas del marco sean 57.1 cm (22-1/2") x 137.1 cm (54") (AH2210) o 63.5 cm (25") x 137.1 cm (54") (AH2510).
- PASO 5.** Para unir el (los) larguero(s) a los cabeceros, utilice clavos de longitud suficiente para pasar a través de ambos cabeceros e insertarse en el larguero al menos 25.4 mm (1 pulgada). Ponga el (los) larguero(s) a escuadra con los cabeceros en un extremo, e inserte tres (3) clavos 16d en el larguero, a través de los cabeceros.
- Verifique la escuadra, y luego clave el otro extremo. Verifique que la abertura sin terminar esté a escuadra. Para ello, mida las diagonales. **Las dos medidas deben diferir en menos de 3.2 mm (1/8") para que el conjunto se considere a escuadra** (vea la Figura 18).

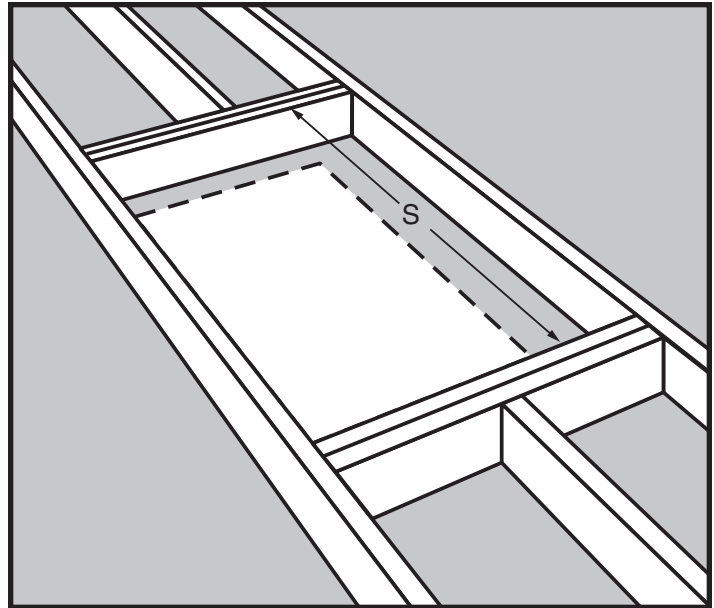


Figura 17

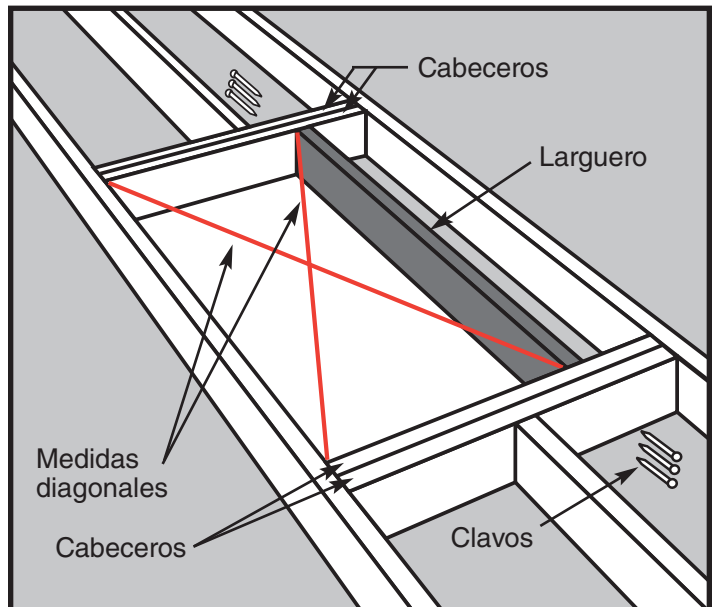
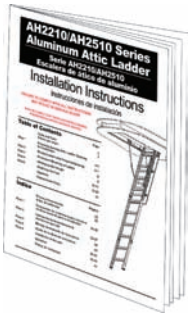


Figura 18

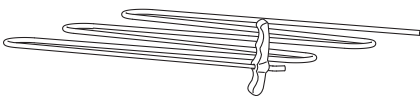
**SU ABERTURA SIN TERMINAR ESTÁ PREPARADA  
CONTINÚE CON EL PASO 1: PREPARACIÓN DE LA ABERTURA EXISTENTE  
PARA LA ESCALERA DE ÁTICO PARA LA INSTALACIÓN**

**KIT DE ACCESORIOS DE MONTAJE**

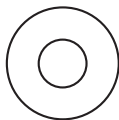
(1) manual de instrucciones del conjunto de escalera



(1) conjunto de cuerda



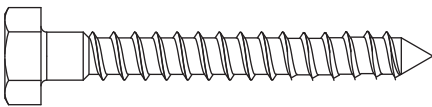
(11) arandelas de 6.4 mm (1/4")



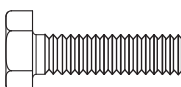
(2) tuercas de seguridad 1/4"-20



(10) tirafondos 1/4"-20, longitud 76.2 mm (3")



(2) tornillos de cabeza hexagonal 1/4"-20, longitud 19.1 mm (3/4")



**KIT DE REEMPLAZO DE PUNTALES**

(1) hoja de instrucciones

(2) conjuntos de puntales de gas



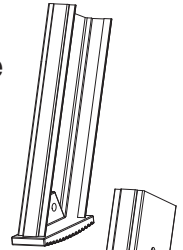
(4) tiras metálicas



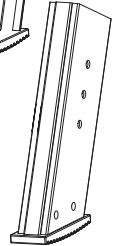
**KIT DE REEMPLAZO DE PIES**

(1) hoja de instrucciones

(1) conjunto de pie izquierdo



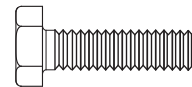
(1) conjunto de pie derecho



(4) tuercas de seguridad 1/4"-20



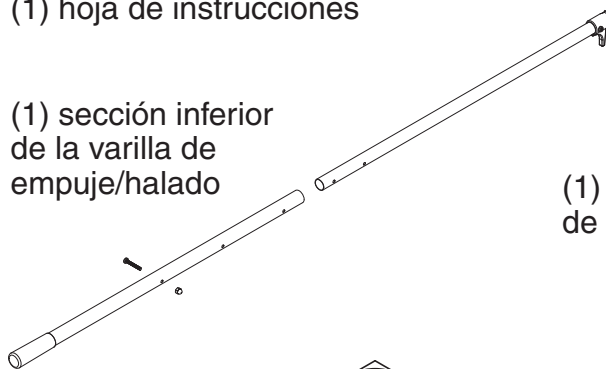
(4) tornillos de cabeza hexagonal 1/4"-20, longitud 19.1 mm (3/4")



**KIT DE VARILLA DE EMPUJE/HALADO**

(1) hoja de instrucciones

(1) sección inferior de la varilla de empuje/halado



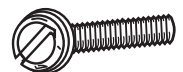
(1) sección superior de la varilla de empuje/halado

(1) soporte de la varilla de empuje/halado

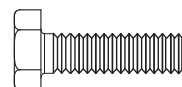
(2) tuercas de seguridad 1/4"-20



(1) Tornillo para metales



(2) tornillos de cabeza hexagonal 1/4"-20, longitud 19.1 mm (3/4")



(1) Tuerca bellota



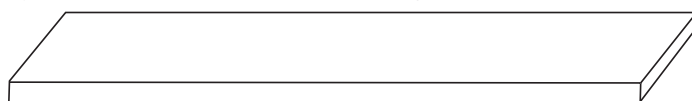
**N'ENLEVEZ PAS L'ATTACHE EN NYLON MAINTENANT ENSEMBLE LES SECTIONS DE L'ÉCHELLE AVANT QUE CELA NE SOIT DEMANDÉ**

### MATÉRIAUX ADDITIONNELS NÉCESSAIRES

(10) vis de plate-forme #8  
de 2"



Planchettes de support temporaire 1 x 4"  
(2 pièces d'environ 32"/81.1 cm de long)



Cales



### OUTILS NÉCESSAIRES

Équerre de charpentier

Perceuse

Marteau

Scie à métaux

Foret de 1/8"

Foret de 9/32"

Crayon

Escabeau

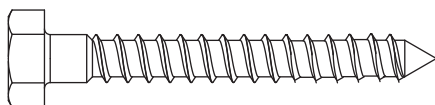
Mètre à ruban

(2) clés de 7/16"

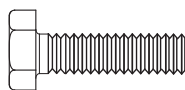
Tournevis Phillips

### ATTACHES INCLUSES

(10) tire-fond à tête  
hexagonale 1/4" de  
longueur 76.2mm (3")



(2) vis d'assemblage à tête  
hexagonale 1/4" - 20 de  
longueur 19.1mm (3/4")



(2) contre-écrous de 1/4" -  
20

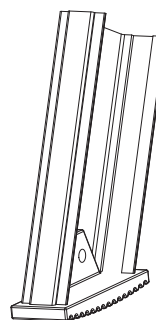


(11) rondelles de 1/4"

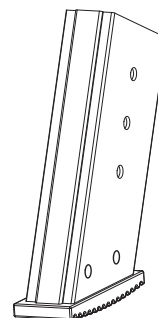


### COMPOSANTS INCLUS

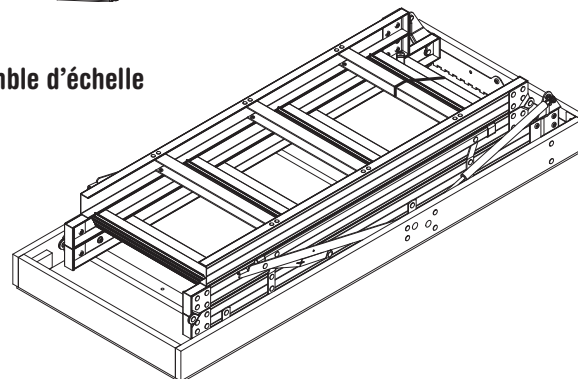
(1) ensemble de pied  
gauche



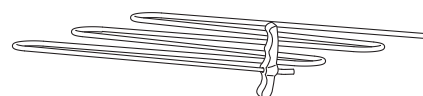
(1) ensemble de pied  
droit



(1) ensemble d'échelle



(1) ensemble de  
cordon à tirer



# AVANT DE COMMENCER

**Lisez complètement les instructions avant de commencer.** C'est nécessaire pour assurer que vous avez un emplacement convenable pour l'échelle de grenier, et la capacité de l'installer correctement et sans risques.

Êtes-vous capable d'installer cette échelle de grenier ?

Pour installer votre échelle de grenier vous devez avoir des talents pour scier, mettre d'équerre et aligner, similaires à ceux nécessaires pour installer une fenêtre ou un encadrement de porte. Si vous n'avez pas ces talents vous devez embaucher un charpentier professionnel pour installer ce dispositif (consultez les Pages Jaunes aux rubriques : entrepreneurs en bâtiment, charpentiers, constructeurs ou rénovateurs d'habitations, etc.).

Cette échelle de grenier répond-elle à vos besoins ?

Cette échelle de grenier est pour une utilisation résidentielle uniquement. L'installation de cette échelle de grenier dans des bâtiments ou appartements commerciaux peut être une infraction aux normes de construction qui exigent des plafonds classés comme résistant au feu, et interdisent d'entreposer des matériaux dans l'espace au-dessus. Vérifiez auprès de votre chef du service incendie local ou du département de la construction avant d'installer l'échelle de grenier.

La capacité de l'échelle de grenier (personne plus matériaux transportés) est de 170 kilogrammes (375 lbs.).

L'échelle de grenier est faite pour des hauteurs de plafond allant de 233.7cm (7'8") à 312.4cm (10'3"). N'installez pas l'échelle de grenier dans un plafond dont la hauteur est en dehors de cette plage. L'altération de l'échelle de grenier pour l'adapter à d'autres hauteurs est dangereuse.

a. Pour gagner du temps et éviter des accidents, inspectez l'échelle de grenier pour d'éventuels dommages dus au transport avant de commencer son installation.

- **Contrôlez le panneau en bois de trappe pour des fentes ou du gauchissement.**
- Contrôlez toutes les pièces métalliques pour des dommages tels que déformations et craquelures.
- Contrôlez que les rivets sont bien serrés.

S'il y avait de quelconques parties manquantes ou endommagées, contactez le point de vente ou le service à la clientèle de Werner au 877-553-7004.

b. Il vous faut :

- 2 personnes capables de soulever l'échelle de grenier de 22.7 kg (50 lbs.) dans l'espace du dessus.

c. Il vous faut également :

- Une ouverture brute dans le plafond mesurant 57.2cm (22-1/2") x 137.2 cm (54") pour l'AH2210 ou 63.5cm (25") x 137.2 cm (54") pour l'AH2510.

Sinon, procédez comme c'est décrit à l'Annexe, Section 1.1, page 52.

d. Vérifiez les exigences d'écartements :

- Consultez l'Annexe, Section 1.3, Figure 3, page 54

Facilitation pas à pas de l'installation par vidéo en ligne  
[www.wernerladder.com/atticladder](http://www.wernerladder.com/atticladder)

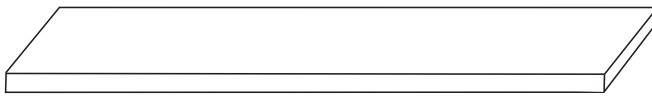
# Étape 1 PRÉPARATION D'UNE OUVERTURE EXISTANTE D'ÉCHELLE DE GRENIER POUR L'INSTALLATION

## MATÉRIAUX ADDITIONNELS NÉCESSAIRES

(6) vis de plate-forme #8 de 2"



Planchettes de support temporaire 1 x 4"  
(2 pièces d'environ 32"/81.3 cm de long)



## OUTILS NÉCESSAIRES

Escabeau  
Marteau  
Mètre à ruban  
Crayon  
Équerre de charpentier  
Perceuse  
Tournevis Phillips

Une fois terminées les Étapes 1 et 2, l'encadrement de votre échelle sera installé de niveau avec la face inférieure de la finition du plafond (Voir la Figure A).

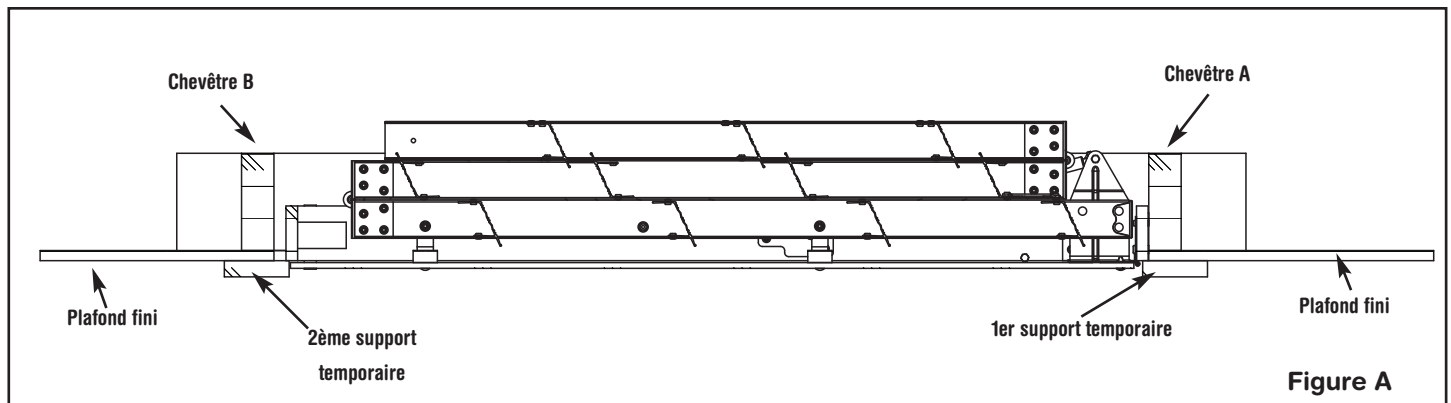


Figure A

### 1. PRÉPARATION D'OUVERTURE EXISTANTE (Voir la Figure B) :

- Enlevez toute garniture ou visserie entourant l'ouverture.
- Inspectez l'ouverture actuelle d'échelle de grenier pour vous assurer qu'elle répond aux exigences minimales de construction et fait bien 57.2cm (22-1/2") x 137.2 cm (54") pour l'AH2210 (Figure C1) ou 63.5cm (25") x 137.2 cm (54") pour l'AH2510 (Figure C2).
- S'il est nécessaire de modifier l'ouverture actuelle, ou d'en créer une nouvelle, veuillez vous référer à l'Annexe, Section 1.1, page 12.

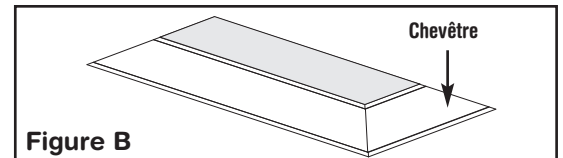


Figure B

Pour obtenir les meilleurs résultats, assurez-vous que le plafond autour de l'ouverture est plat et en bon état, et que tous les bords de l'ouverture sont plats, d'aplomb et en bon état.

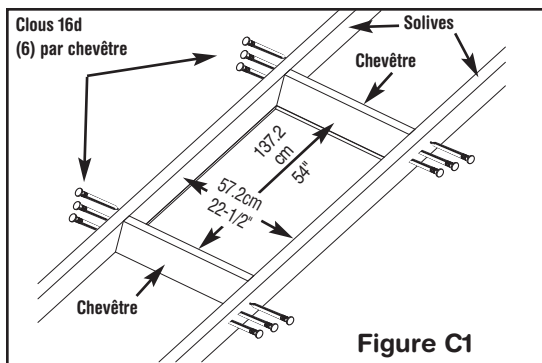


Figure C1

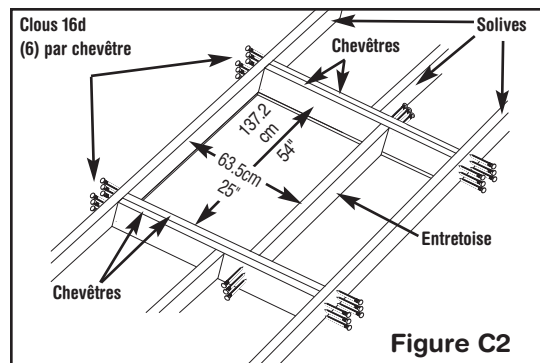


Figure C2



## Étape 1 (suite)

# PRÉPARATION D'UNE OUVERTURE EXISTANTE D'ÉCHELLE DE GRENIER POUR L'INSTALLATION

## 2. FIXATION DES PLANCHETTES DE SUPPORT TEMPORAIRE :

Il est nécessaire de supporter temporairement l'escalier dans l'ouverture brute préparée en utilisant des planchettes de 1 x 4" x 81.2cm (32") de section, qui s'étendent de bord à bord en travers de chaque extrémité de l'ouverture brute. Ces planchettes forment des appuis pour supporter l'escalier avant qu'il soit fixé de façon permanente. Il est important de positionner soigneusement les planchettes.

- Fixez le premier support temporaire à **9.5 mm du bord intérieur de la chevêtre "A"**. Cette chevêtre "A" est l'extrémité où ira la charnière de l'échelle. Assurez-vous que les (3) vis pénètrent bien dans la chevêtre (Voir les Figures D et E).
- En mesurant depuis le bord intérieur du premier support temporaire, fixez le deuxième support temporaire de façon à ce que son bord intérieur soit à 1.32m (52-1/2") du bord intérieur du premier support temporaire à l'opposé (Voir la Figure D).
- Assurez-vous que le premier et le deuxième support temporaire sont fermement fixés sur leurs chevêtres respectives (Voir la Figure E).

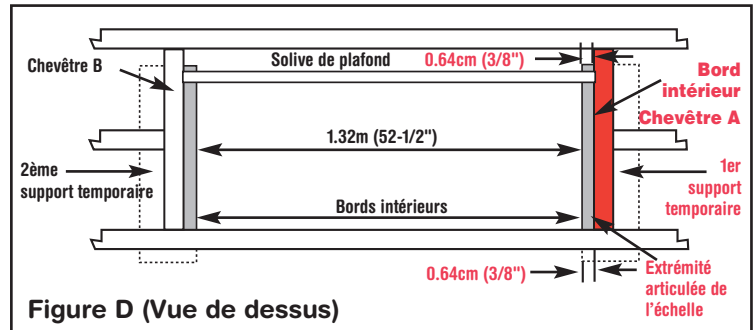


Figure D (Vue de dessus)

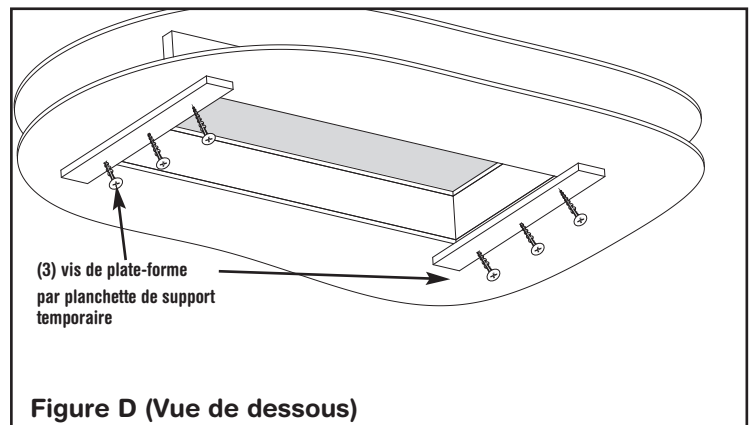


Figure D (Vue de dessous)



### AVERTISSEMENT

Assurez-vous que les planchettes de support temporaire sont bien écartées de 133.35 cm de part et d'autre de l'ouverture. L'échelle de grenier risque de tomber du plafond si les planchettes de support temporaire ne sont pas correctement espacées.

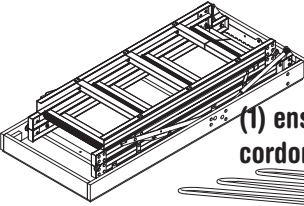

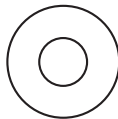




### AVERTISSEMENT

Les planchettes de support doivent être clouées assez bien pour supporter temporairement le poids de l'escalier quand il est placé dans l'ouverture brute.

VOTRE OUVERTURE D'ÉCHELLE DE GRENIER EST MAINTENANT PRÊTE POUR L'INSTALLATION.  
PASSEZ À L'ÉTAPE 2 - PLACEMENT DE L'ÉCHELLE DANS L'OUVERTURE PRÉPARÉE.

## Étape 2 PLACEMENT DE L'ÉCHELLE DANS L'OUVERTURE PRÉPARÉE

COMPOSANTS INCLUS	ATTACHES INCLUSES	MATÉRIAUX ADDITIONNELS NÉCESSAIRES	OUTILS NÉCESSAIRES
(1) ensemble d'échelle  (1) ensemble de cordon à tirer 	(1) rondelle de 1/4"-20 	Cales  (4) vis de plate-forme #8 de 5.208cm (2") 	Escabeau Mètre à ruban Marteau Perceuse Tournevis Phillips



### AVERTISSEMENT

N'ENLEVEZ PAS l'attache en nylon maintenant ensemble les sections de l'échelle avant qu'elle ait été correctement installée et fixée.



### AVERTISSEMENT

Faites attention quand vous utilisez un escabeau pour entrer ou sortir de l'espace au-dessus.

#### 1. FIXATION DU CORDON À TIRER (Voir la Figure F) :

- Enfilez l'extrémité fine du cordon à tirer fourni au travers du trou percé à l'avance dans la trappe, et attachez-la à la rondelle. Vous pouvez ajuster la longueur du cordon à tirer une fois que l'échelle est complètement installée.

#### 2. LEVÉE DE L'ÉCHELLE DANS L'OUVERTURE BRUTE :

- Une personne doit déjà être dans le grenier avant de monter l'échelle.
- levez l'échelle au travers de l'ouverture brute avec une inclinaison, de façon à ce qu'elle passe les planchettes de support temporaire (Voir la Figure G).
- Positionnez l'échelle dans l'ouverture brute de façon à ce qu'elle repose bien sur les planchettes de support temporaire. Faites glisser l'échelle pour que l'extrémité articulée de l'encadrement en bois repose étroitement contre la chevêtre "A" (Voir la Figure H). Assurez-vous que la trappe en contreplaqué n'a pas son ouverture empêchée par les plaquettes de support (Voir la Figure I). Si elle est gênée, vérifiez le positionnement des plaquettes de support fait à l'Étape 1.

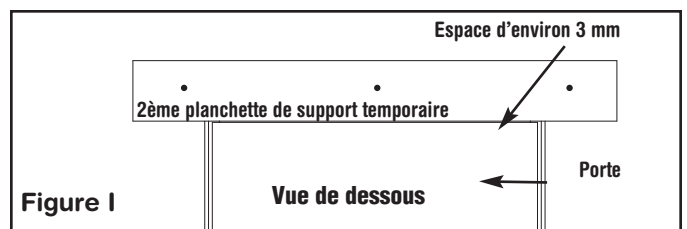
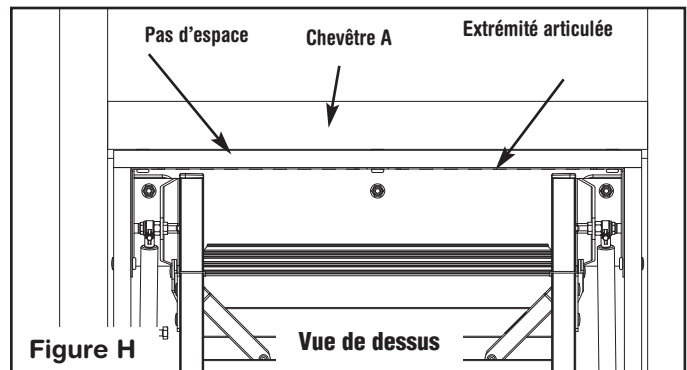
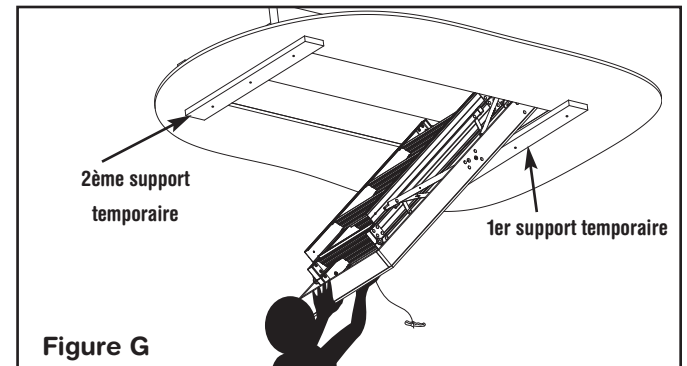
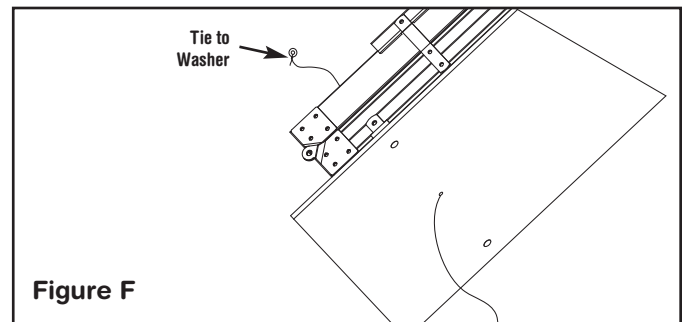
#### 3. CADRAGE DE L'ÉCHELLE DANS L'OUVERTURE :



### AVERTISSEMENT

Ne placez aucune charge sur l'échelle jusqu'à ce qu'elle soit installée à demeure à l'Étape 3 de la page 8.

La personne dans l'espace au-dessus doit y rester jusqu'à ce que l'installation soit terminée.



## Étape 2 (suite)

# PLACEMENT DE L'ÉCHELLE DANS L'OUVERTURE PRÉPARÉE

- Centrez l'extrémité articulée de l'échelle sur la chevêtre "A" de façon qu'il y ait un même espacement des deux côtés (Voir la Figure J). Placez (2) vis (Voir la Figure J) pour maintenir l'encadrement sur la chevêtre "A". Les vis ne doivent traverser que dans l'encadrement en bois. Les trous dans la plaque métallique de charnière seront utilisés à l'Étape 3.
- Ouvrez la trappe de l'échelle en tirant tout droit vers le bas sur le cordon à tirer. Les sections d'échelle doivent rester repliées, retenues par l'attache en nylon.
- Calez l'encadrement aux angles si nécessaire (Voir la Figure K) de façon à ce que les dimensions des deux diagonales soient égales. L'encadrement est d'équerre quand ces deux dimensions sont égales. S'il est impossible d'égaliser à 3 mm près ces dimensions par calage, l'extrémité articulée de l'échelle peut avoir à être repositionnée (Voir la Figure K) :

Une mise d'équerre incorrecte de l'encadrement peut faire que l'échelle se ferme en faisant un angle. Si cela se produit, il peut y avoir un contact entre l'encadrement et l'échelle, faisant que la trappe ne se ferme pas correctement. Vérifiez à nouveau la mise d'équerre de l'encadrement en mesurant les diagonales (Voir la Figure K). Ces deux dimensions doivent être égales à 3.2 mm (1/8") près pour le montage soit considéré d'équerre.

- Enfoncez (2) vis comme c'est montré à l'extrémité opposée à la charnière pour maintenir les cales en place. Ne vissez pas au travers des blocs (Voir la Figure K).

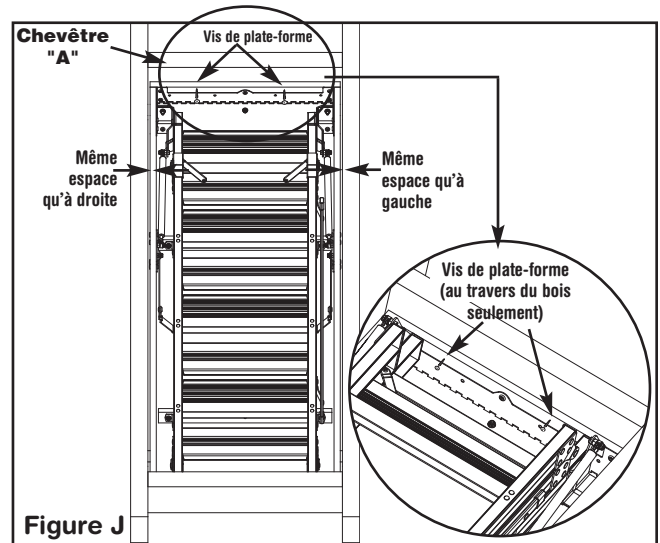


Figure J

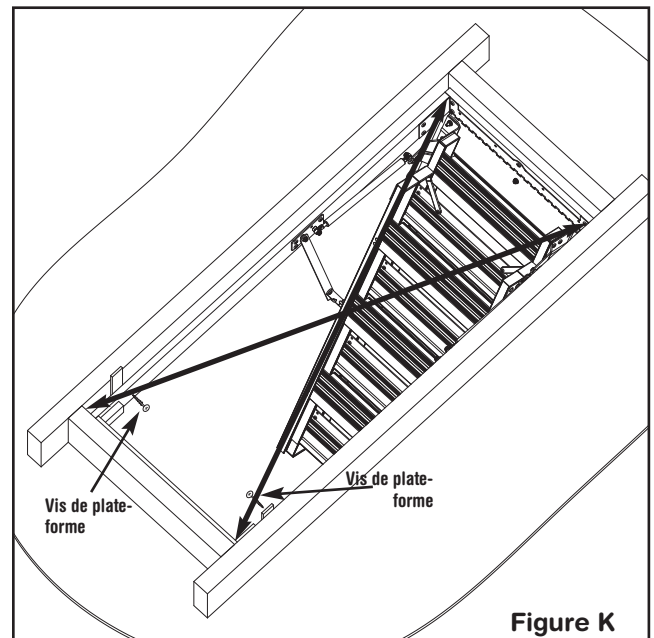
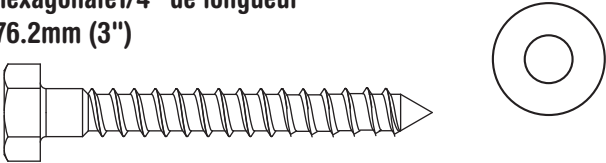



Figure K

VOTRE ÉCHELLE DE GRENIER A ÉTÉ CORRECTEMENT PLACÉE DANS L'OUVERTURE PRÉPARÉE.  
PASSEZ À L'ÉTAPE 3 - MONTAGE PERMANENT DE L'ÉCHELLE.

# Étape 3 MONTAGE PERMANENT DE L'ÉCHELLE

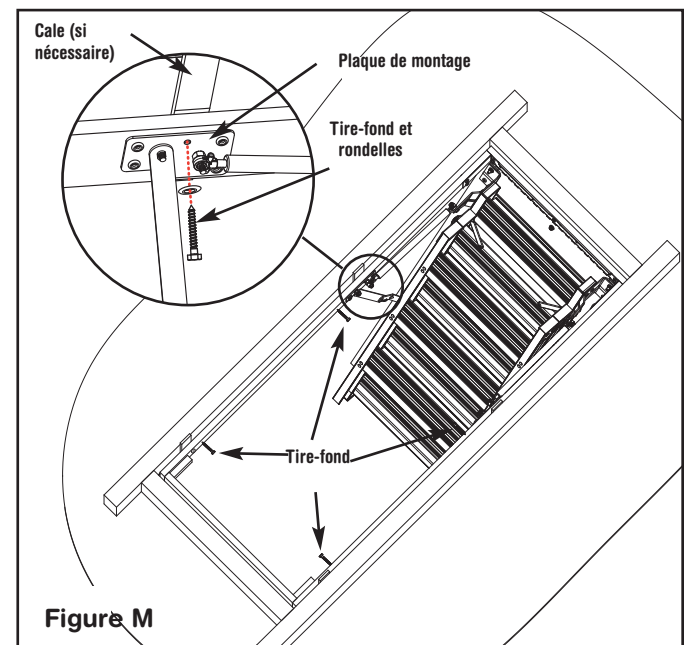
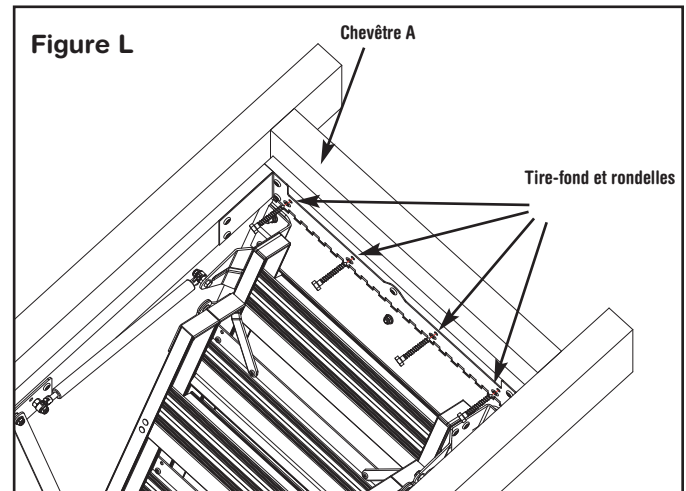
ATTACHES INCLUSES	MATÉRIAUX ADDITIONNELS NÉCESSAIRES	OUTILS NÉCESSAIRES
10) tire-fond à tête hexagonale 1/4" de longueur 76.2mm (3") (10) rondelles de 1/4" 	Cales 	Escabeau Perceuse Foret de 1/8" (1) clé de 7/16" Marteau

## 1. FIXATION DE L'ÉCHELLE DANS L'OUVERTURE BRUTE :

- Percez à l'avance (4) avant-trous de 0.32cm (1/8") et installez (4) tire fond à tête hexagonale de 1/4" x 3" dans la chevêtre "A" en utilisant une plaque de charnière comme gabarit (Voir la Figure L). (4) rondelles de 1/4" sont à insérer sous les têtes de ces tire-fond.
- Si nécessaire, mettez soigneusement des cales derrière les plaques de montage (Voir la bulle en Figure M). Ne déformez pas les côtés de l'encadrement d'échelle avec des cales. Percez (2) avant-trous de 0.32cm (1/8") et installez (2) tire fond à tête hexagonale de 1/4" x 3" dans les plaques de montage. (2) rondelles de 1/4" sont à insérer sous les têtes de ces tire-fond (Voir la Figure M).
- Percez (4) avant-trous de 0.32cm (1/8") à peu près comme c'est indiqué. Installez-y (4) tire fond à tête hexagonale de 1/4" x 3". (4) rondelles de 1/4" sont à insérer sous les têtes de ces tire-fond.
- Assurez-vous que la trappe ferme sans interférence. Réajustez les cales si nécessaire.

Rognez la partie des cales qui dépassent au-dessus et en dessous de l'encadrement. Des cales dépassant au-dessus de l'encadrement présentent des risques de trébuchement et doivent être coupes à niveau.

## 2. ENLEVEZ LES PLAQUETTES DE SUPPORT TEMPORAIRE.



VOTRE ÉCHELLE DE GRENIER A ÉTÉ MONTÉE DE FAÇON PERMANENTE DANS L'OUVERTURE.  
PASSEZ À L'ÉTAPE 4 - DÉTERMINATION DE LA HAUTEUR D'ÉCHELLE.

# Étape 4 DÉTERMINATION DE LA HAUTEUR D'ÉCHELLE

## OUTILS NÉCESSAIRES

Scie à métaux  
Mètre à ruban

Crayon  
Équerre de charpentier

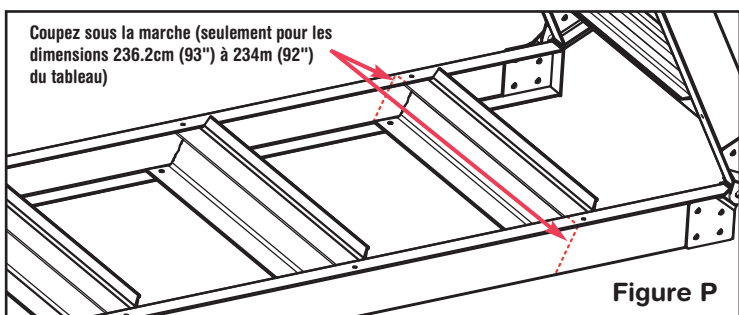
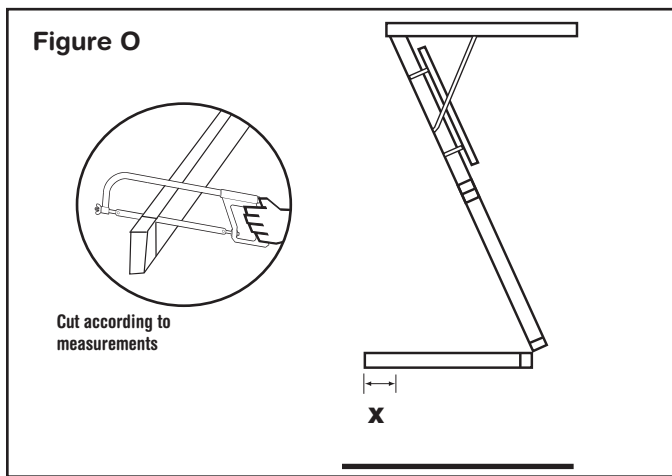
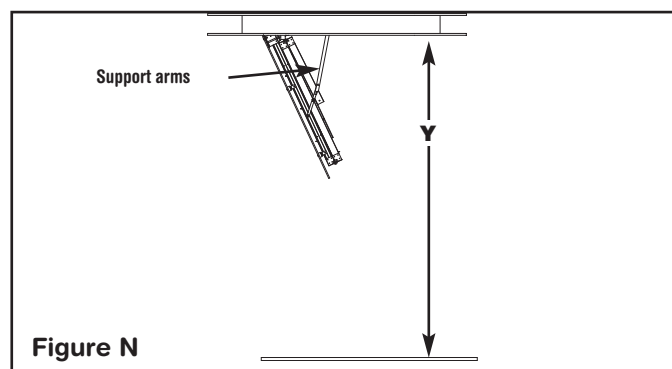
La section inférieure de l'échelle peut nécessiter une coupe et un ajustement des pieds à la bonne hauteur.

1. VOTRE PRISE DE MESURE (Voir la Figure N) :
  - a. Avec l'échelle non-déployée en position complètement ouverte, mesurez la hauteur "Y" depuis le bas de l'encadrement en bois de l'échelle de grenier jusqu'au plancher. Référez-vous au Tableau 1 avant de passer à l'étape suivante.

**⚠ AVERTISSEMENT**

L'échelle de grenier doit être ajustée pour correspondre à la bonne hauteur de l'endroit où elle est installée. Ne pas le faire peut entraîner des dommages à l'échelle ou des blessures à l'utilisateur.

2. COUPE DE LA SECTION INFÉRIEURE :
  - a. Enlevez l'attache en nylon qui retient ensemble les sections de l'échelle.
  - b. Pliez la section inférieure de l'échelle sous la section médiane (Voir la Figure O).
  - c. Mesurez la distance de découpe nécessaire "X", définie au Tableau 1, à partir du bas de la section inférieure, et marquez une ligne droite perpendiculaire au montant, en utilisant un crayon et une équerre (Voir la Figure O).
  - d. Avec l'échelle correctement supportée, utilisez une scie à métaux pour couper l'excédent de section inférieure en suivant la ligne marquée à l'étape c.
  - e. Dépliez la section inférieure de l'échelle en position ouverte.

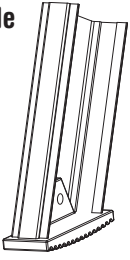
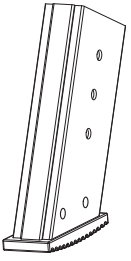
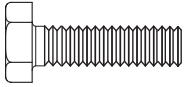



**VOTRE ÉCHELLE DE GRENIER A ÉTÉ CORRECTEMENT AJUSTÉE. PASSEZ À L'ÉTAPE 5 - FIXATION DES PIEDS.**

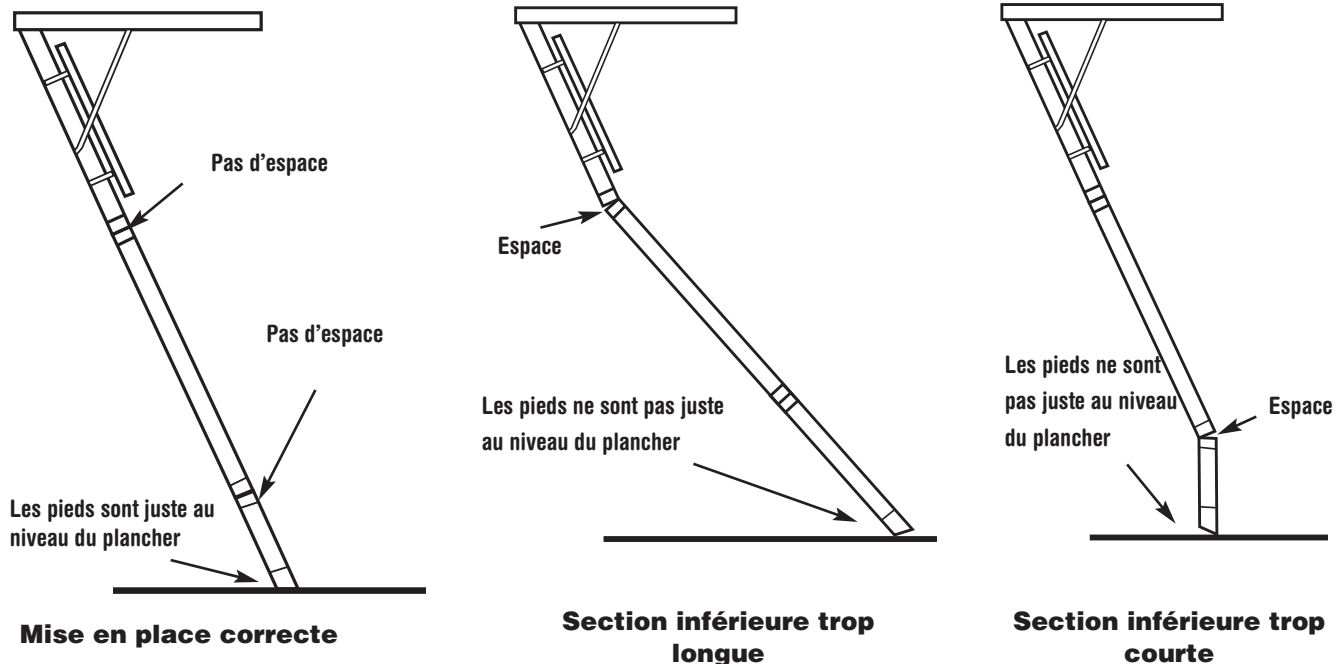
Distance	'Y'	'X'	Distance	'Y'	'X'
Si votre hauteur fait moins de:	Mais égale à ou fait plus que:	Alors la coupe est de	Si votre hauteur fait moins de:	Mais égale à ou fait plus que:	Alors la coupe est de
	312.4 cm	0 cm	274.3 cm	271.8 cm	43.8 cm
312.4 cm	309.9 cm	2.5 cm	271.8 cm	269.2 cm	47.0 cm
309.9 cm	307.3 cm	5.1 cm	269.2 cm	266.7 cm	49.5 cm
307.3 cm	304.8 cm	7.6 cm	266.7 cm	264.2 cm	52.1 cm
304.8 cm	302.3 cm	10.8 cm	264.2 cm	261.6 cm	59.7 cm
302.3 cm	299.7 cm	13.3 cm	261.6 cm	259.1 cm	59.7 cm
299.7 cm	297.2 cm	15.9 cm	259.1 cm	256.5 cm	61.0 cm
297.2 cm	294.6 cm	19.1 cm	256.5 cm	254.0 cm	64.1 cm
294.6 cm	292.1 cm	21.6 cm	254.0 cm	251.5 cm	66.7 cm
292.1 cm	289.6 cm	29.2 cm	251.5 cm	248.9 cm	69.2 cm
289.6 cm	287.0 cm	29.2 cm	248.9 cm	246.4 cm	72.4 cm
287.0 cm	284.5 cm	30.5 cm	246.4 cm	243.8 cm	74.9 cm
284.5 cm	281.9 cm	33.0 cm	243.8 cm	241.3 cm	77.5 cm
281.9 cm	279.4 cm	35.6 cm	241.3 cm	238.8 cm	81.3 cm
279.4 cm	276.9 cm	38.7 cm	238.8 cm	236.2 cm	83.2 cm
276.9 cm	274.3 cm	41.3 cm	236.2 cm	233.7 cm	83.2 cm

**Tableau 1**

# Étape 5 FIXATION DES PIEDS

COMPOSANTS ET ATTACHES INCLUS		OUTILS NÉCESSAIRES
<p>(1) ensemble de pied gauche</p>  <p>(1) ensemble de pied droit</p> 	<p>(2) vis d'assemblage à tête hexagonale 1/4" - 20 de longueur 1.91cm (3/4")</p>  <p>(2) contre-écrous de 1/4" - 20</p> 	<p>Hacksaw Tape Measure Pencil Drill 9/32" Drill Bit Carpenter's Square Wrench, 7/16" (2)</p>

Une fois cette Étape 5 terminée, les charnières de votre échelle ne doivent pas présenter d'espaces comme montré dans la mise en place correcte



## AVERTISSEMENT

La section du bas doit ar chevêtrer pile au plancher. Un réglage incorrect des pieds de l'échelle peut générer des contraintes superflues sur les pièces, pouvant entraîner une blessure grave.

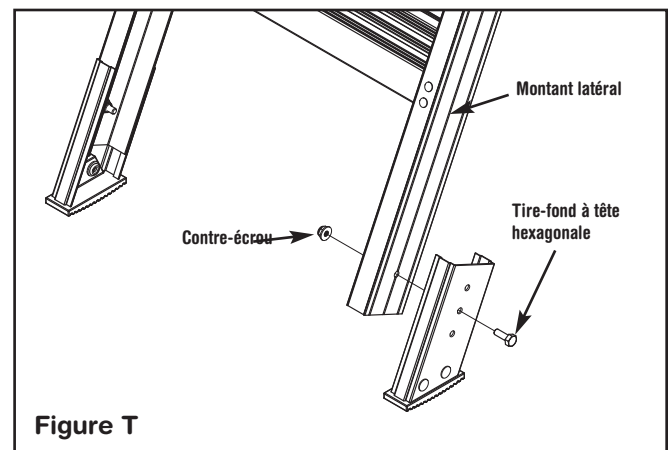
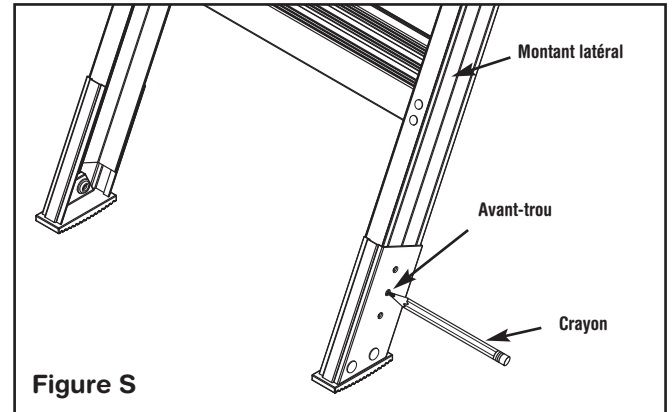
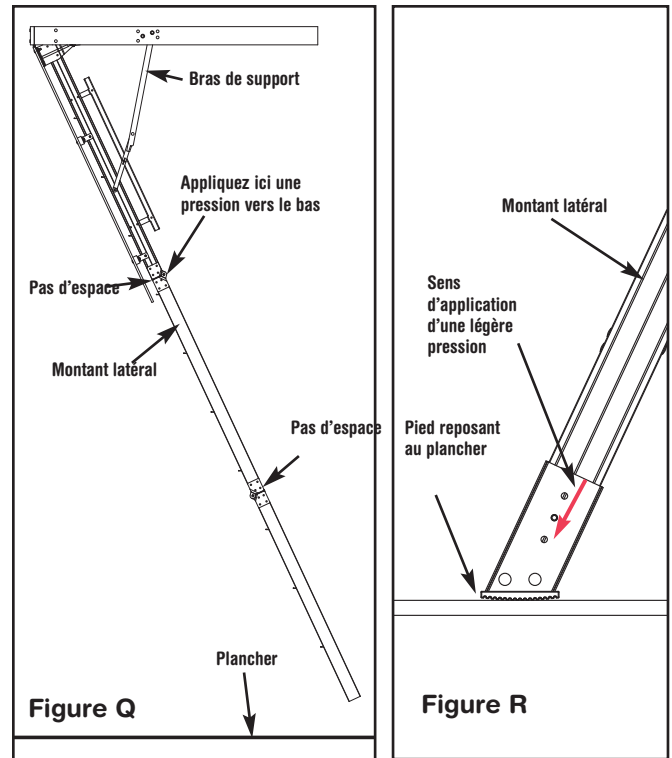


## Étape 5 (suite)

## FIXATION DES PIEDS

## 1. BON EMPLACEMENT DES PIEDS :

- a. Assurez-vous que les sections de l'échelle sont totalement déployées et que les bras de support sont complètement ouverts. Appliquez une pression où c'est indiqué pour vérifier que l'échelle est complètement déployée (Voir la Figure Q).
- b. Placez un pied par-dessus un montant latéral et faites-le glisser vers le bas jusqu'à ce que le patin en caoutchouc repose fermement sur le plancher. Appliquez une légère pression comme c'est indiqué (Voir la Figure R).
- c. Marquez l'emplacement pour percer un trou au travers du montant latéral de la section inférieure, en utilisant un des avant-trous du pied réglable comme gabarit. Enlevez le pied et contrôlez la position du trou avant de le percer. Percez un trou de 0.71cm (9/32") au travers du montant (Voir la Figure S).
- d. Installez le pied réglable et fixez-le en place en utilisant une vis d'assemblage à tête hexagonale de 0.64cm (1/2") et un contre-écrou fournis (Voir la Figure T).
- e. Recommencez les étapes précédentes (de a à e) pour l'autre côté de l'échelle.



FÉLICITATIONS - VOTRE ÉCHELLE EST MAINTENANT COMPLÈTEMENT INSTALLÉE ET PRÊTE À L'EMPLOI.

# Annexe CRÉATION D'UNE OUVERTURE BRUTE

## Section 1.1

### QUESTIONS IMPORTANTES

Est-ce que votre structure de plafond et de solives est appropriée pour cette installation?

L'échelle de grenier peut être installée dans des structures avec des charpentes de toiture en bois (Voir la Figure 1). S'il y a un plafond, vous devez avoir un trou d'accès dans les combles qui vous permette d'entrer dans l'espace du dessus pour une inspection avant l'installation.

Les structures de support de toit qui ont des contreventements connectés aux solives de plafond ou qui utilisent des fermes (Voir la Figure 1) ne peuvent pas être coupées sans détruire la capacité de supporter la charge de cette section du toit. Ne coupez pas des solives qui font partie d'une charpente contreventée conventionnelle ou de ferme sans d'abord consulter un spécialiste de structures (voyez dans les Pages Jaunes à "Architectes" ou "Ingénieurs en structures").

Cette échelle de grenier ne doit pas être installée dans un grenier d'un de ces types :

- solives constituées de matériau autre que du bois
- plâtre renforcé par du métal
- plafonds suspendus

Si votre plafond comporte un de ces éléments, n'essayez pas d'installer l'échelle de grenier. Contactez un professionnel pour de l'assistance avec vos besoins spécifiques (voyez les Pages Jaunes à "entreprises de chauffage et refroidissement, entrepreneurs en construction, charpentiers, constructeurs de maisons particulières, sociétés d'amélioration de l'habitat, etc.").

Est-ce que ces instructions répondent à vos besoins?

Ces instructions décrivent comment installer l'échelle de grenier parallèlement ou perpendiculairement aux solives de plafond. Contactez un professionnel si vous voulez que l'échelle de grenier soit installée dans une autre direction par rapport aux solives.

Est-ce que votre structure de plafond et de solives est appropriée pour cette installation?

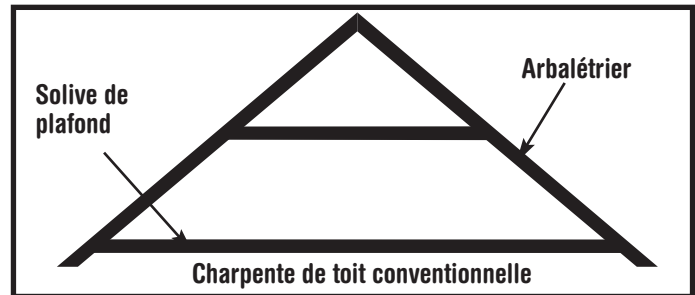


Figure 1

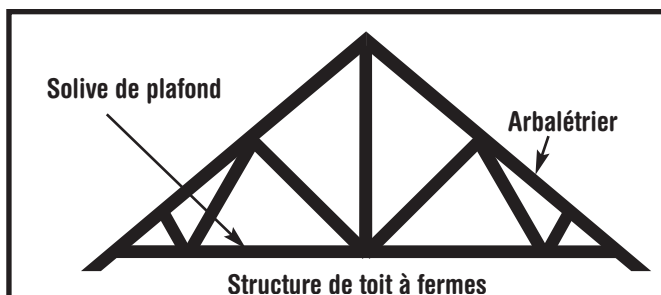
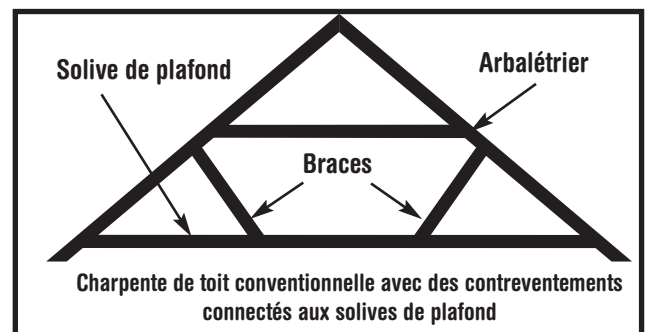


Figure 2



**AVERTISSEMENT**

Ne coupez pas ces types de structures sans consulter un architecte ou un ingénieur spécialisé en structures.

## OUTILS ET MATÉRIAUX NÉCESSAIRES

### Matériels :

- Plusieurs pièces de bois de sciage de la taille des solives (la quantité dépend des spécificités de l'installation).
- Clous à tête fraisée 16d ou vis de la solidité équivalente (quantité 24 - 60 selon les spécificités de l'installation).
- Des clous à tête fraisée 206d ou des vis 20d de la solidité équivalente sont nécessaires pour une installation où des solives sont coupées.

### Escabeau :

- Il vous faudra un escabeau suffisamment grand pour pouvoir entrer dans l'espace au-dessus sans avoir encore une marche à monter au-dessus de la hauteur de travail normale de l'escabeau. La hauteur de travail normale sur l'escabeau est à deux marches de son sommet.
- Votre escabeau doit aussi avoir une spécification de charge utile supérieure à la somme de votre poids et de celui de l'échelle de grenier.



### AVERTISSEMENT

Faites attention quand vous utilisez un escabeau pour entrer ou sortir de l'espace au-dessus.

### Outils pour créer une ouverture brute :

- Lampe-torche ou baladeuse
- Marteau à panne fendue
- Crayon
- Scie à main / scie électrique
- Mètre à ruban
- Équerre de charpentier
- Outils pour découper un trou dans le plafond existant

### Équipement de sécurité :

- Gants
- Lunettes de sécurité enveloppantes
- Masque anti-poussière

# DÉTERMINATION D'UN EMPLACEMENT CONVENABLE

**Avant de commencer :** Il vous faut : Un plafond correct et une structure avec des solives, les outils et matériaux nécessaires, et un endroit plat et de niveau dans le grenier.

**Objectif :** Trouver un emplacement ne présentant pas de risques ni d'obstructions, qui laissera de la place pour l'installation de l'échelle de grenier et son utilisation.

Évitez d'installer une échelle de grenier par-dessus d'autres escaliers.

**Étape 1.** Trouvez un emplacement potentiel pour l'installation. Contrôlez que la taille de l'ouverture brute pourra bien faire 57.2cm (22-1/2") x 137.2 cm (54") pour l'AH2210 ou 63.5cm (25") x 137.2 cm (54") pour l'AH2510.

**Étape 2.** S'il n'y a pas de plafond et que l'échelle de grenier pourra s'insérer entre des solives sans qu'il n'y ait à en couper, passez directement à la Section 1.6, page 57, "ENCADREMENT DE L'OUVERTURE BRUTE".

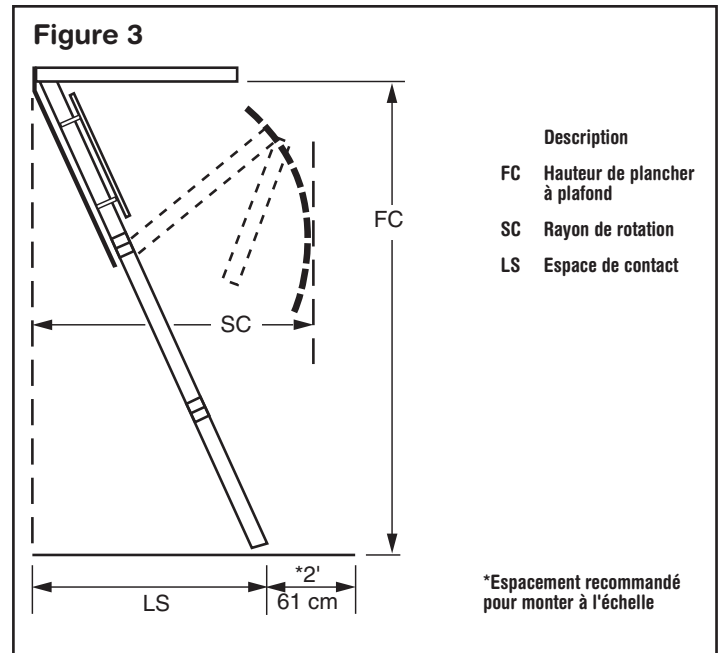
S'il n'y a pas de plafond mais qu'il faille couper une solive ou plus, allez à la Section 1.5, page 56, "COUPE DES SOLIVES DE PLAFOND"

S'il y a bien un plafond à cet emplacement, vous aurez à inspecter la zone au-dessus de l'emplacement comme décrit aux étapes 3 et 4.

**Étape 3.** Allez dans l'espace du dessus et explorez la zone au-dessus de votre choix d'emplacement :

Cette zone peut être repérée de ces façons :

- En écoutant des cognements portés par en dessous.
- En mesurant les distances depuis des murs ou d'autres éléments communs dans l'espace du dessus et la pièce en dessous.



SC	LS	FC
1.78m (5'10")	1.22m (4'0"0) à 1.60m (8'3")	Min. 2.34m (7'8") à Max. 3.12m (10'3")

**⚠ AVERTISSEMENT**

Ne plantez pas de clous métalliques ou d'autres objets conducteurs dans le plafond sauf si vous êtes sûr qu'il n'y aura pas de contact avec des fils électriques. Un tel contact avec des fils électriques peut être mortel.

**Étape 4.** À cet emplacement dans l'espace au-dessus :

- Contrôlez qu'il y a assez de place pour que vous puissiez bouger librement autour pendant l'installation.
- Cherchez dans l'espace du dessus de la place pour de l'entreposage à côté de l'emplacement choisi. S'il y a besoin de marcher ou de ramper dans l'espace du dessus, assurez-vous qu'il y aura assez de place pour le faire.
- Cherchez au-dessus de l'emplacement choisi l'éventualité de dangers ou d'obstruction, comme :
  - Câble électrique
  - Tuyaux
  - Conduites de chauffage ou refroidissement
  - Chaudière
  - Chauffe-eau ou autres appareils

**REMARQUE :** Pour vérifier l'absence de risques, vous devrez déplacer l'isolation de votre emplacement choisi. Portez un masque anti-poussière, des lunettes de sécurité enveloppantes et des gants, et gardez votre corps couvert pour éviter des petites coupures par la fibre de verre. Poussez doucement de côté l'isolation pour éviter de soulever la poussière qui pourrait être dangereuse pour vos yeux et vos poumons.

**Étape 5.** Si des risques ou obstructions quelconques sont présents à votre emplacement choisi, cherchez un autre endroit ou faites déplacer ce qui présente risque ou obstruction par des professionnels (consultez les Pages Jaunes à "électriciens, chauffagistes, plombiers").

**⚠ AVERTISSEMENT**

Pour votre sécurité, méfiez-vous des risques au-dessus.

Ne vous tenez pas debout ou ne vous asseyez pas sur le plafond ou l'isolation qui le recouvre – le plafond n'est pas fait pour supporter votre poids). Vous pourriez tomber au travers du plafond même s'il paraît solide! Seules les solives en bois peuvent supporter du poids.

Faites attention aux clous qui dépassent au travers de la toiture.

## Section 1.4

**DÉCOUPE D'UN TROU DANS LE PLAFOND**

Avant de commencer : Vous devez avoir trouvé un emplacement qui :

- A) Ne comporte pas de risques ou d'obstructions dans l'espace du dessus.
- B) Ne comporte pas de risques dans le plafond lui-même.
- C) Laisse assez de place pour l'installation.
- D) Laisse assez de place pour utiliser l'échelle de grenier.

Objectif : Découper un trou de la bonne taille à l'endroit voulu.

**Étape 1.** Préparez la pièce en déplaçant le mobilier, en recouvrant le plancher avec une toile de protection, et en écartant à une bonne distance de sécurité les enfants et les animaux domestiques.

**Étape 2.** Mettez des lunettes de sécurité enveloppantes et un masque anti-poussière. Cela empêchera que des particules de plafond et de la poussière ne vous tombent dans les yeux, la bouche ou le nez, quand vous ferez un avant-trou et découperez le plafond.

**Étape 3.** Avec un marteau et un ciseau, creusez un trou de démarrage près du centre de l'emplacement choisi (Voir la Figure 4).

**Étape 4.** Élargissez l'ouverture avec une scie jusqu'à ce que vous puissiez voir une solive (Voir la Figure 5).

**Étape 5.** Tracez un rectangle de la taille de l'ouverture brute sur le plafond, soit 57.2cm (22-1/2") x 137.2 cm (54") pour l'AH2210 ou 63.5cm (25") x 137.2 (54") cm pour l'AH2510, avec un côté parallèle à une solive (Voir la Figure 6). Vous devez le faire en sciant jusqu'à ce que vous arriviez à une solive, et en l'utilisant ensuite comme référence de guidage.

**Remarque :** En situant au moins un bord de l'ouverture contre une solive de plafond cela permet que cette solive soit utilisée comme côté pour l'encadrement que vous construirez. Cela simplifiera l'encadrement de l'ouverture brute.

**Étape 6.** Coupez le reste du plafond dans les limites du contour tracé, en suivant ces instructions :

- A) Ne coupez aucune solive à ce stade. Ne coupez que dans le remplissage de plafond.
- B) Dégagez la partie de plafond par petits morceaux, car son matériau peut être très lourd.

**Étape 7.** S'il n'y a pas de solives traversant le trou dans le plafond, allez à la Section 1.6, page 57 "ENCADREMENT DE L'OUVERTURE BRUTE".

S'il y a des solives traversant le trou, allez à la Section 1.5, page 56 "COUPE DE SOLIVES DE PLAFOND".

**⚠ AVERTISSEMENT**

**Ne sciez pas, ne découpez pas et ne martelez pas le plafond avant d'être sûr qu'il n'y a pas de risques ou d'obstruction dans le plafond ou le grenier au-dessus. Un contact avec des fils électriques peut être mortel.**

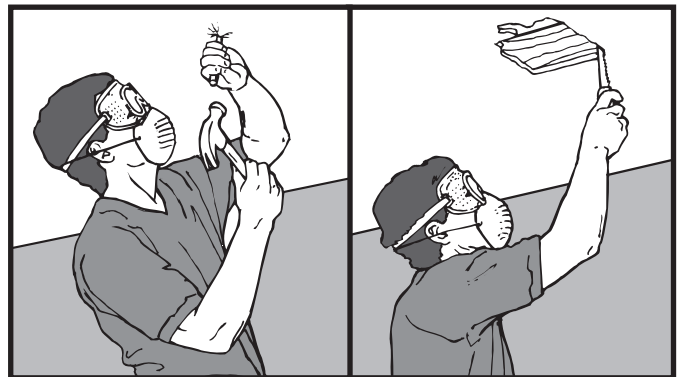


Figure 4

Figure 5



Figure 6

## COUPE DES SOLIVES DE PLAFOND

Avant de commencer : Il vous faut : Des solives déjà exposées ou un trou de la taille correcte à l'emplacement voulu du plafond.

Objectif : Couper toutes les solives qui sont au milieu de l'emplacement choisi. Avant de couper les solives, vous devez les relier à d'autres solives dans le grenier au-dessus pour empêcher le plafond de fléchir ou de s'écrouler complètement.

- Étape 1.** Si la pièce comporte un plafond et que vous devez y découper le trou voulu, allez à l'Étape 2.
- Si la pièce n'a pas de plafond, vous devez marquer les solives suivant le paragraphe (A) ou (B) qui suit.
- (A) Si l'emplacement choisi est parallèle aux solives, marquez la longueur de l'ouverture brute sur le dessus des solives (Voir la Figure 7). Ne coupez pas de solive à cette marque.
- (B) Si l'emplacement choisi est perpendiculaire aux solives, marquez la largeur de l'ouverture brute sur le dessus des solives (Voir la Figure 8). Ne coupez pas de solive à cette marque.

- Étape 2.** Coupez (2) planches de la taille des solives assez longues pour relier (2) solives de chaque côté de votre emplacement choisi (Voir la Figure 9). Ces planches vont soutenir les solives qui vont être coupées et aider à empêcher le plafond de s'affaisser ou de s'écrouler complètement pendant que vous travaillez dans l'espace du dessus.

- Étape 3.** Placez ces planches approximativement à 61 cm (24") du bord de votre emplacement choisi, et clouez-les (Voir la Figure 9).

**Remarque :** Cette distance de 61cm (24") est nécessaire pour vous laisser la place pour clouer dans l'encadrement que vous allez bâtir à la section suivante.

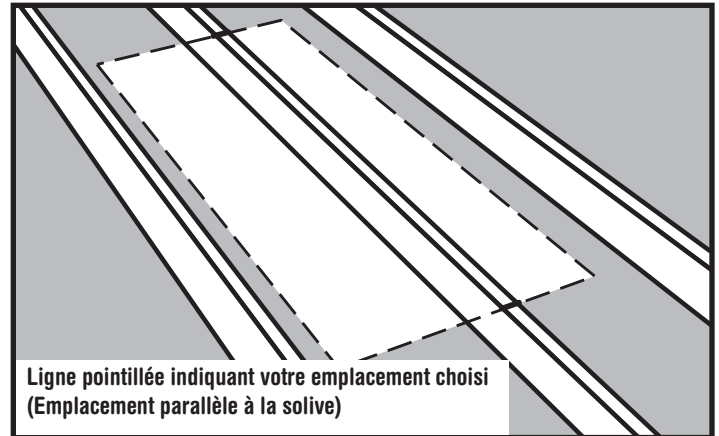


Figure 7

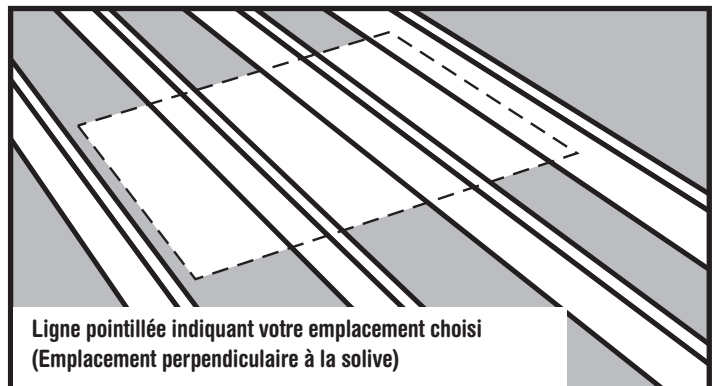


Figure 8

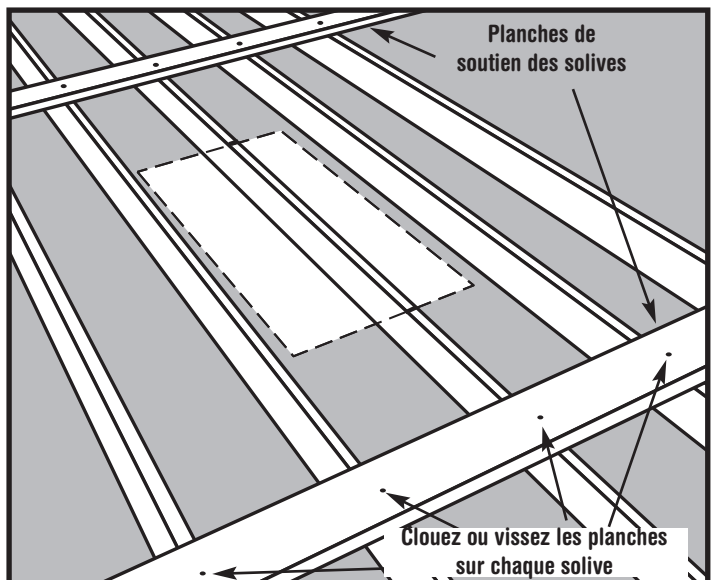


Figure 9



## Section 1.5 (suite)

**COUPE DES SOLIVES DE PLAFOND**

**Étape 4.** Déterminez l'endroit où couper la ou les solive(s). La Figure 10 montre où marquer la/les solive(s) traversant votre emplacement choisi. Notez qu'il faut les marquer de nouveau depuis le bord de votre emplacement, à une distance de deux fois l'épaisseur d'une solive (en général 3 pouces ou 7,6 cm). Cela laisse de la place pour deux chevêtres de la taille d'une solive placés contre chaque extrémité de solive coupée (Voir la Figure 16 en page 59).

**Remarque :** Dans certaines maisons, en particulier les anciennes, les solives peuvent être légèrement plus épaisses que le bois débité en vente normale. Si vos solives ont une épaisseur différente des pièces de bois que vous utiliserez comme chevêtres, vous devrez marquer de nouveau les solives depuis le bord de votre emplacement à deux fois l'épaisseur de chevêtre (au lieu de cette de solive).

**Étape 5.** Sciez en travers de la/des solives(s), en prenant soin de ne pas couper au travers du plafond et en vous assurant que les surfaces des extrémités coupées de solive(s) seront bien plates et verticales.

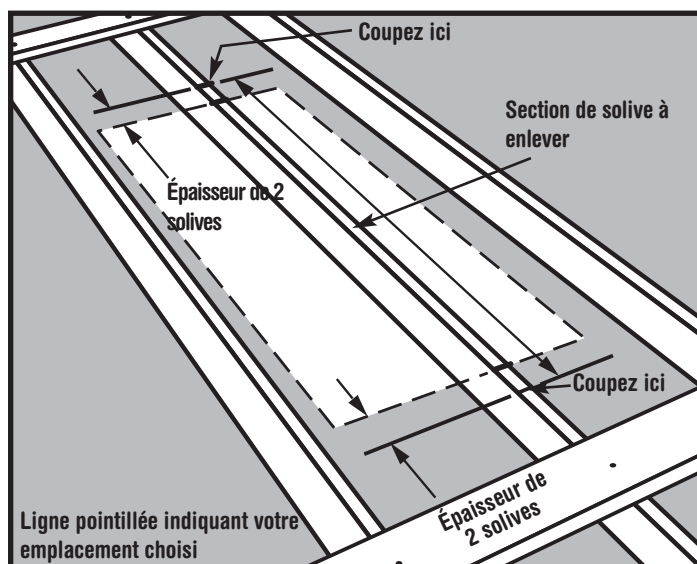


Figure 10

## Section 1.6

**ENCADREMENT DE L'OUVERTURE BRUTE**

**Avant de commencer :** Vous devez avoir un espace entre les solives au moins aussi large que l'ouverture brute montrée sur la boîte. Toute solive coupée doit être reliée à des solives non coupées.

**Objectif :** Créer un encadrement sur quatre côtés de la taille de l'ouverture brute en utilisant des pièces de bois de la taille d'une solive. Cet encadrement sera fait de chevêtres d'épaisseur simple ou double et de tirants selon l'installation particulière. L'encadrement est nécessaire pour supporter l'échelle de grenier et renforcer la structure de toiture et de plafond.

**AVERTISSEMENT**

**Pour votre sécurité, méfiez-vous des risques au-dessus.**

Ne vous tenez pas debout ou ne vous asseyez pas sur le plafond ou l'isolation qui le recouvre – le plafond n'est pas fait pour supporter votre poids). Vous pourriez tomber au travers du plafond même s'il paraît solide! Seules les solives en bois peuvent supporter du poids. Pour éviter de tomber au travers du plafond, vous pouvez désirer une plate-forme de travail en disposant des planches en travers des solives. Faites attention aux clous tranchants qui dépassent au travers de la toiture.

## ENCADREMENT DE L'OUVERTURE BRUTE

### Installation des chevêtres

S'il n'y a pas eu de solives coupées, allées à "Chevêtres simples" ci-dessous.

S'il y a eu des solives coupées, allez à "Chevêtres doubles" en page 19.

#### Chevêtres simples

- Étape 1.** Mesurez la longueur de chevêtre "H" entre les solives (Voir la Figure 11).
- Étape 2.** Coupez deux chevêtres à cette longueur. Utilisez des pièces de bois de la taille d'une solive.
- Étape 3.** Placez une de ces chevêtres à une extrémité de votre emplacement choisi (Voir la Figure 12). La chevêtre doit s'adapter exactement entre les solives. Placez-la au marteau si nécessaire; si elle s'avère trop longue de 1.6 mm (1/16"), limez-la. Si elle est trop courte de plus de 1.6 mm (1/16"), coupez un autre morceau.
- Étape 4.** Mettez d'équerre la chevêtre par rapport à une solive et plantez (3) clous 16d au travers de la solive pour pénétrer la chevêtre. Vérifiez la perpendicularité et plantez (3) clous 16d au travers de l'autre solive pour pénétrer la chevêtre (Voir la Figure 12). **Il est très important que le morceau de chevêtre soit d'aplomb verticalement comme d'équerre avec les côtés des solives.**
- Étape 5.** Positionnez la deuxième chevêtre à 137.2 cm (54") de la première et répétez l'étape 4 (Voir la Figure 13).
- Étape 6.** L'encadrement pour l'ouverture brute nécessite quatre côtés. Les chevêtres posés constituent deux de ces côtés. Si vos solives de plafond sont espacées de façon à constituer les deux autres côtés de l'ouverture brute, contrôlez que tout est d'équerre en mesurant les diagonales. Ces mesures doivent être égales à 3.2 mm (1/8") près pour que la perpendicularité soit acceptable (Voir la Figure 13).

Si vos solives de plafond ne peuvent pas constituer les deux derniers côtés de l'ouverture brute, vous aurez à installer une ou deux morceaux de bois comme chevêtres additionnelles pour encadrer un ou deux côtés restants de l'ouverture brute, allez donc sur "Installation de tirants" en page 60.

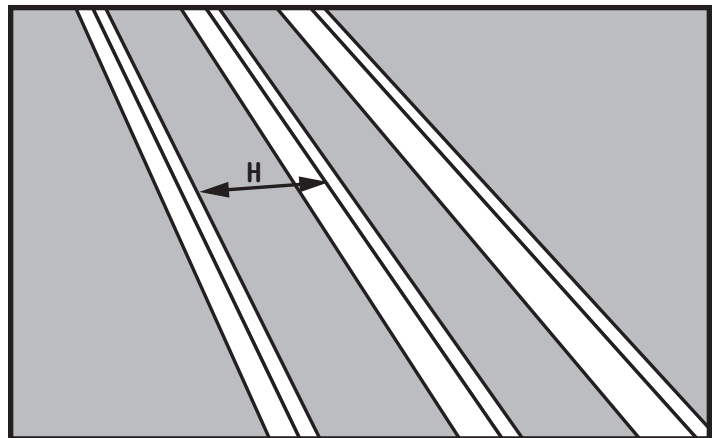


Figure 11

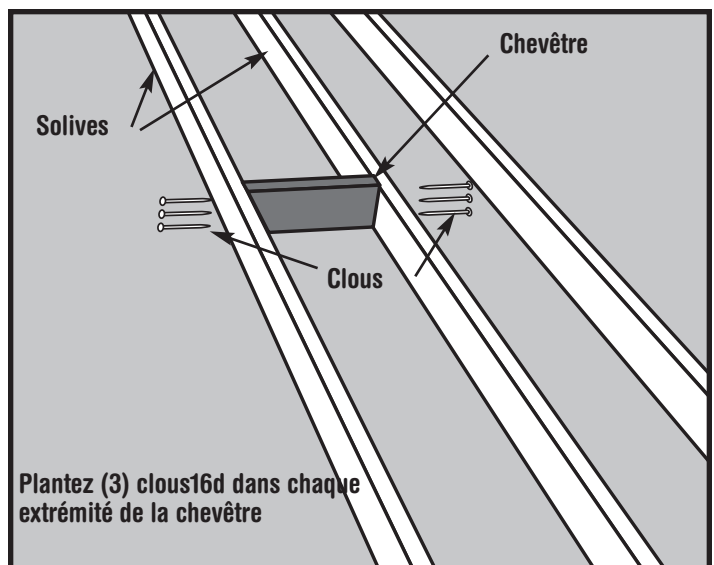


Figure 12

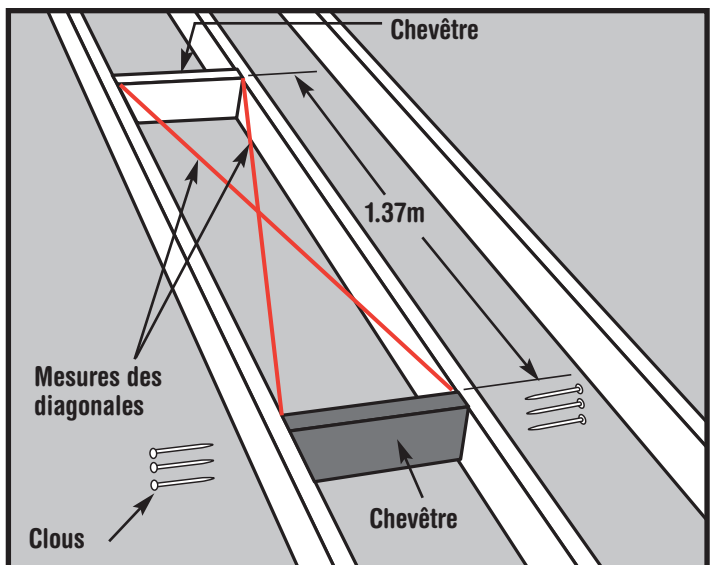


Figure 13 – Façon de vérifier la perpendicularité

# ENCADREMENT DE L'OUVERTURE BRUTE

## Chevêtres doubles

- Étape 1.** Mesurez la longueur de chevêtre "H" entre les solives non coupées (Voir la Figure 14).
- Étape 2.** Coupez quatre chevêtres à cette longueur. Utilisez des pièces de bois de la taille d'une solive.
- Étape 3.** Placez une de ces chevêtres contre une extrémité d'une des solives coupées (Voir la Figure 15). Elle doit s'adapter juste entre les solives non-coupées.
- Placez-la au marteau si nécessaire; si elle s'avère trop longue de 1.6 mm (1/16"), limez-la. Si elle est trop courte de plus de 1.6 mm (1/16"), coupez un autre morceau.
- Étape 4.** Mettez d'équerre la chevêtre contre la solive non-coupée et clouez la chevêtre sur l'extrémité de solive coupée avec (3) clous 16d (Voir la Figure 15).
- Étape 5.** Vérifiez la perpendicularité de la chevêtre et plantez (3) clous 16d au travers de chaque solive dans chacune des extrémités de la chevêtre (Voir la Figure 15).
- Étape 6.** Placez une deuxième chevêtre contre la première et clouez-la avec elle en utilisant (3) clous 16d entre chaque solive (Voir la Figure 16).
- Étape 7.** Plantez (3) clous 16d au travers des solives dans chaque extrémité de la deuxième chevêtre (Voir la Figure 16).
- Étape 8.** Recommencez les étapes 3-7 pour placer des chevêtres sur le côté opposé de l'ouverture.
- Étape 9.** Pour encadrer l'autre ou les autres côtés de l'ouverture brute, allez à "Installation de tirants" à la page suivante.
- Étape 10.** Enlevez les planches de soutien temporaire.

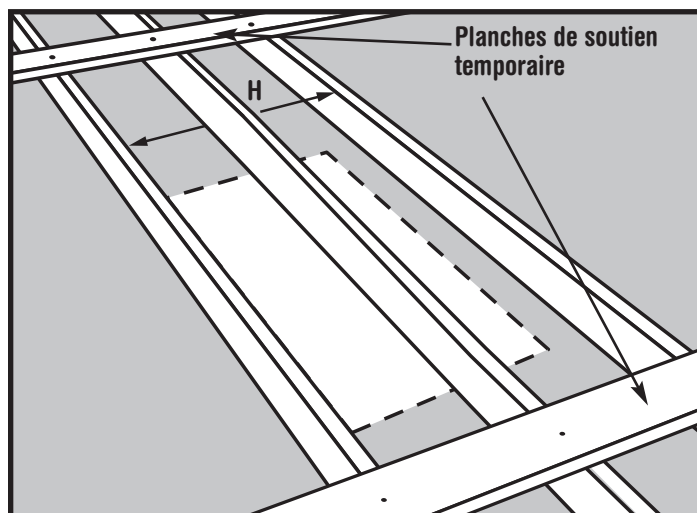


Figure 14

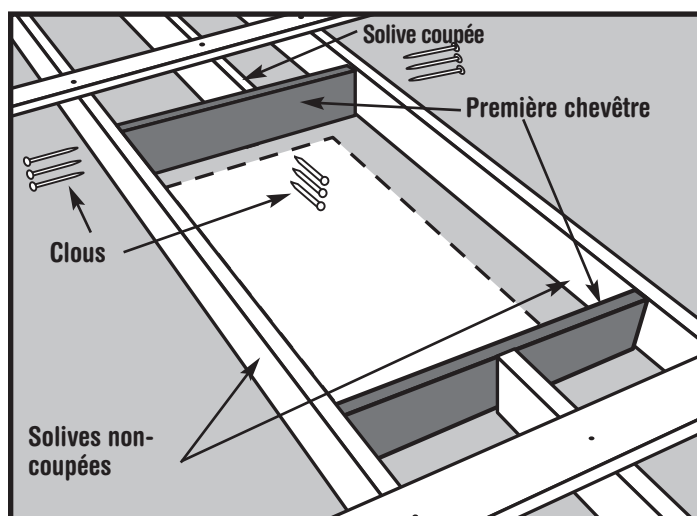


Figure 15

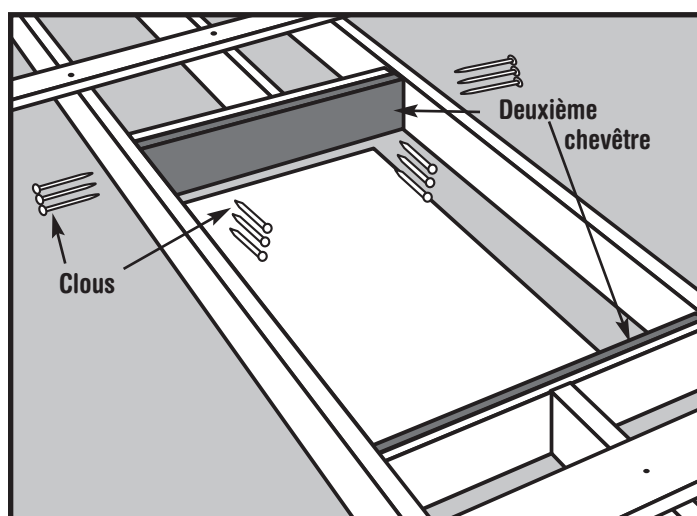


Figure 16

## ENCADREMENT DE L'OUVERTURE BRUTE

### Installation de tirants

- Étape 1. Mesurez la longueur des tirants "S" entre les chevêtres (Voir la Figure 17).
- Étape 2. Coupez un tirant à cette longueur. Utilisez des pièces de bois de la taille d'une solive.
- Étape 3. Si la solive de plafond ne procure pas un côté de l'encadrement, coupez alors un deuxième tirant de même longueur que le premier. Notez qu'un seul tirant est nécessaire en Figure 17 parce que la solive de plafond constitue un côté de l'encadrement.
- Étape 4. Positionnez le ou les tirants le long du ou des côtés non-encadrés de votre emplacement (Voir la Figure 18).  
 Contrôlez que la taille de l'ouverture brute pourra bien faire 57.2cm (22-1/2") x 137.2 cm (54") pour l'AH2210 ou 63.5cm (25") x 137.2 cm (54") pour l'AH2510.
- Étape 5. Pour fixer le ou les tirants sur les chevêtres, utilisez des clous qui soient suffisamment longs pour traverser les deux chevêtres et entrer dans l'entretoise d'au moins 2.5 cm (1"). Mettez le ou les tirants perpendiculairement aux chevêtres et plantez (3) clous 16d au travers des chevêtres et dans les tirants.
- Vérifiez la perpendicularité, puis clouez à l'autre extrémité. Vérifiez la perpendicularité des côtés de l'ouverture en mesurant ses diagonales. Ces mesures doivent être égales à 3 mm près pour que la perpendicularité soit acceptable (Voir la Figure 18).

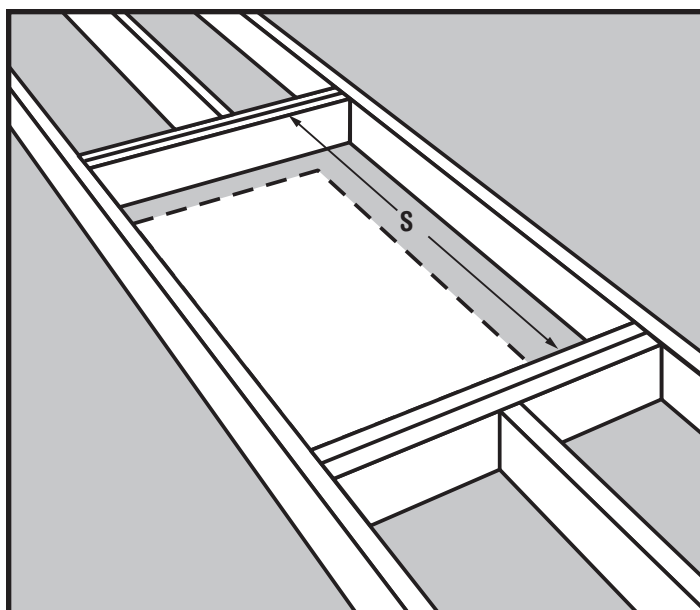


Figure 17

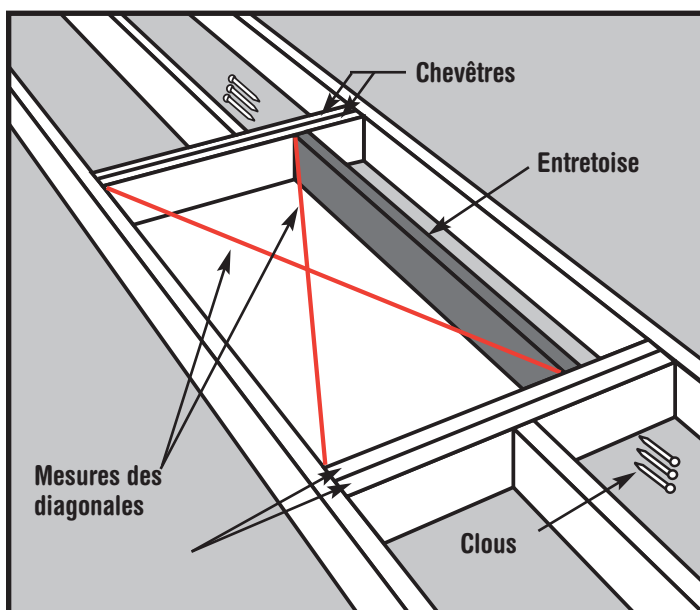


Figure 18

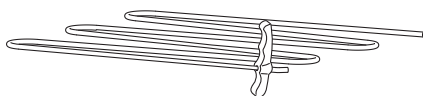
**VOTRE OUVERTURE BRUTE EST PRÉPARÉE.  
 PASSEZ À L'ÉTAPE 1 - PRÉPARATION D'UNE OUVERTURE D'ÉCHELLE  
 DE GRENIER EXISTANTE POUR L'INSTALLATION.**

**KIT DE VISSERIE**

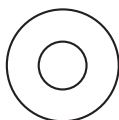
(1) manuel d'instructions d'ensemble d'échelle



(1) ensemble de cordon



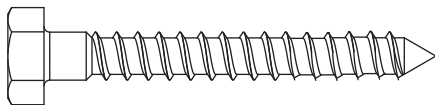
(11) rondelles de 1/4"



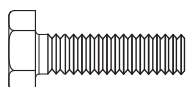
(2) contre-écrous de 1/4" - 20



(2) vis à tête hexagonale 1/4"-20 de longueur 76.2mm (3")



(2) 1/4"-20 Hex Head Cap Screws 19.1mm (3/4") Long



**KIT DE REMPLACEMENT D'AMORTISSEUR**

(1) Fiche d'instructions

(2) ensembles d'amortisseur à gaz



(4) attaches métalliques



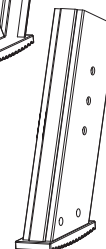
**KIT DE REMPLACEMENT DE PIEDS**

(1) Fiche d'instructions

(1) ensemble de pied gauche



(1) ensemble de pied droit



(2) contre-écrous de 1/4" - 20



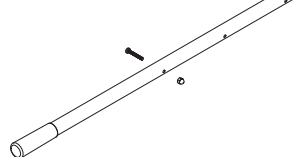
(2) vis à tête hexagonale 1/4"-20 de longueur 1.91cm (3/4")



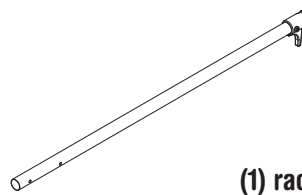
**KIT DE PERCHE D'AIDE**

(1) Fiche d'instructions

(1) section inférieure de perche d'aide



(1) section supérieure de perche d'aide

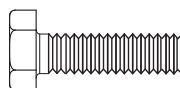


(1) raccord de perche d'aide

(2) contre-écrous de 1/4" - 20



(2) vis à tête hexagonale 1/4"-20 de longueur 1.91cm (3/4")



(1) vis mécanique



(1) écrou borgne











WERNER CO.  
93 WERNER ROAD, GREENVILLE, PA 16125-9499  
Telephone / Teléfono : 888-523-3370  
[www.wernerladder.com/atticladder](http://www.wernerladder.com/atticladder)

WERNER ACCESS PRODUCTS CANADA, ULC  
93 WERNER ROAD, GREENVILLE, PA 16125-9499 U.S.A.  
Téléphone: 877-553-7004

[www.wernerladder.com/atticladder](http://www.wernerladder.com/atticladder)